

11164

02-06 AUDI A4 AVANT
04-08 AUDI S4 SEDAN
03-05 VOLKSWAGEN PASSAT (W8)

9/14/2012

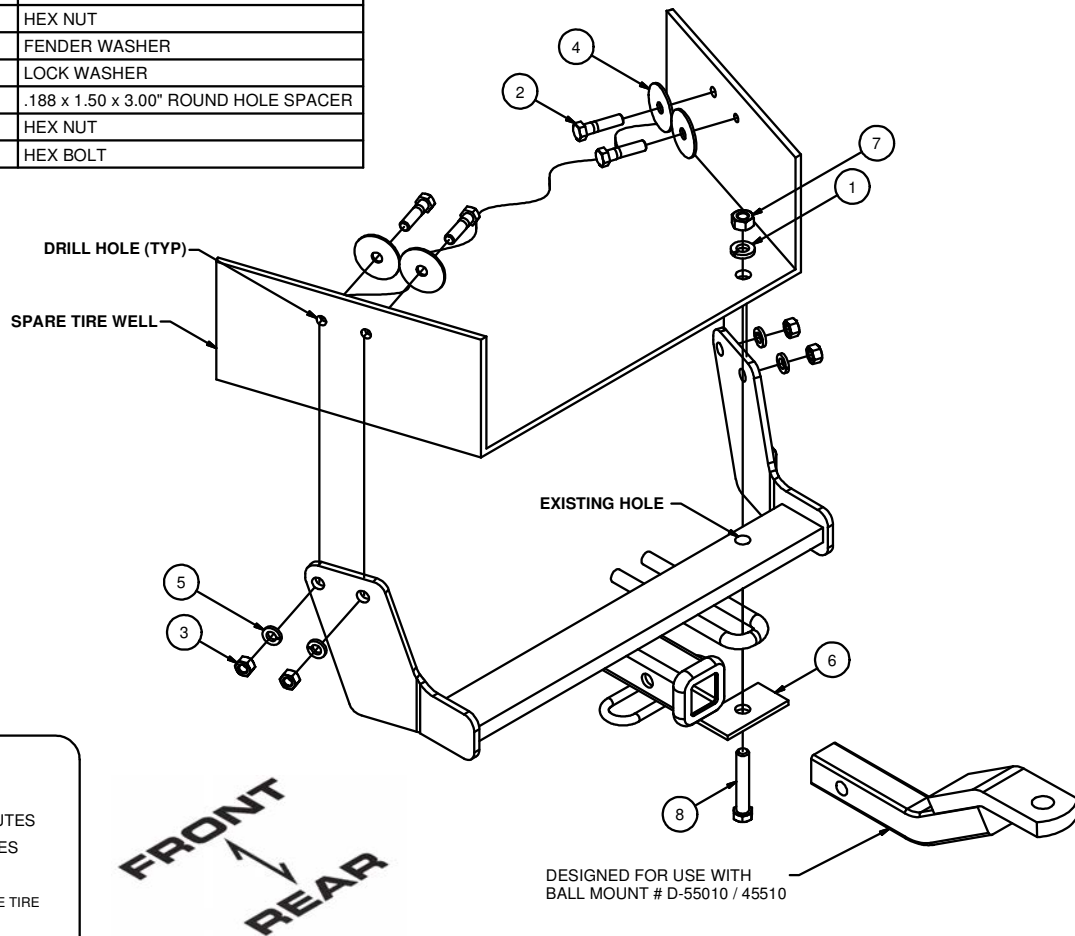
GROSS LOAD CAPACITY WHEN USED AS A WEIGHT CARRYING HITCH: 2,000 LBS. TRAILER WEIGHT & 200 LBS. TONGUE WEIGHT.

*****DO NOT EXCEED VEHICLE MANUFACTURER'S RECOMMENDED TOWING CAPACITY.*****

WARNING: ALL NON-TRAILER LOADS APPLIED TO THIS PRODUCT MUST BE SUPPORTED BY AUXILIARY STABILIZING STRAPS.

**** FAILURE TO PROPERLY SUPPORT NON-TRAILER LOADS WILL VOID PRODUCT WARRANTY****

Parts List			
ITEM	QTY	PART NUMBER	DESCRIPTION
1	1	7/16 LOCK WASHER	HELICAL LOCK WASHER
2	4	3/8-16 X 1 1/2	HEX BOLT
3	4	3/8 - 16	HEX NUT
4	4	3/8"	FENDER WASHER
5	4	3/8"	LOCK WASHER
6	1	CM-SP34	.188 x 1.50 x 3.00" ROUND HOLE SPACER
7	1	7/16-14	HEX NUT
8	1	7/16-14 x 2 1/2	HEX BOLT



HITCH WEIGHT: 18 LBS.

INSTALL TIME

PROFESSIONAL: 20 MINUTES

NOVICE (DIY): 40 MINUTES

INSTALL NOTES:

- TEMPORARILY REMOVE SPARE TIRE
- DRILLING REQUIRED
- MAY REQUIRE LOWER FASCIA TRIMMING

INSTALLATION STEPS

1. Clear vehicle's tire well for drilling.
2. Place hitch into position on top of tow loop with hitch side plates resting against the sides of tire well. Install 7/16" fasteners as shown using SP51 spacer under the tow loop. Just snug.
3. Adjust hitch to be level and square with car and mark tire well in two places on each side for drilling.
4. Remove hitch and drill for 3/8" bolts. Re-position hitch on the vehicle and install all fasteners. Large fender washers install inside tire well opposite the hitch.
5. Torque 7/16" fasteners to 70 ft-lb.
3/8" fasteners to 45 ft-lb.
6. Reinstall spare tire.

PERIODICALLY CHECK THIS RECEIVER HITCH TO ENSURE THAT ALL FASTENERS ARE TIGHT AND THAT ALL STRUCTURAL COMPONENTS ARE SOUND.



The **FIRST** Name
in Towing Products™

Trailer Hitches