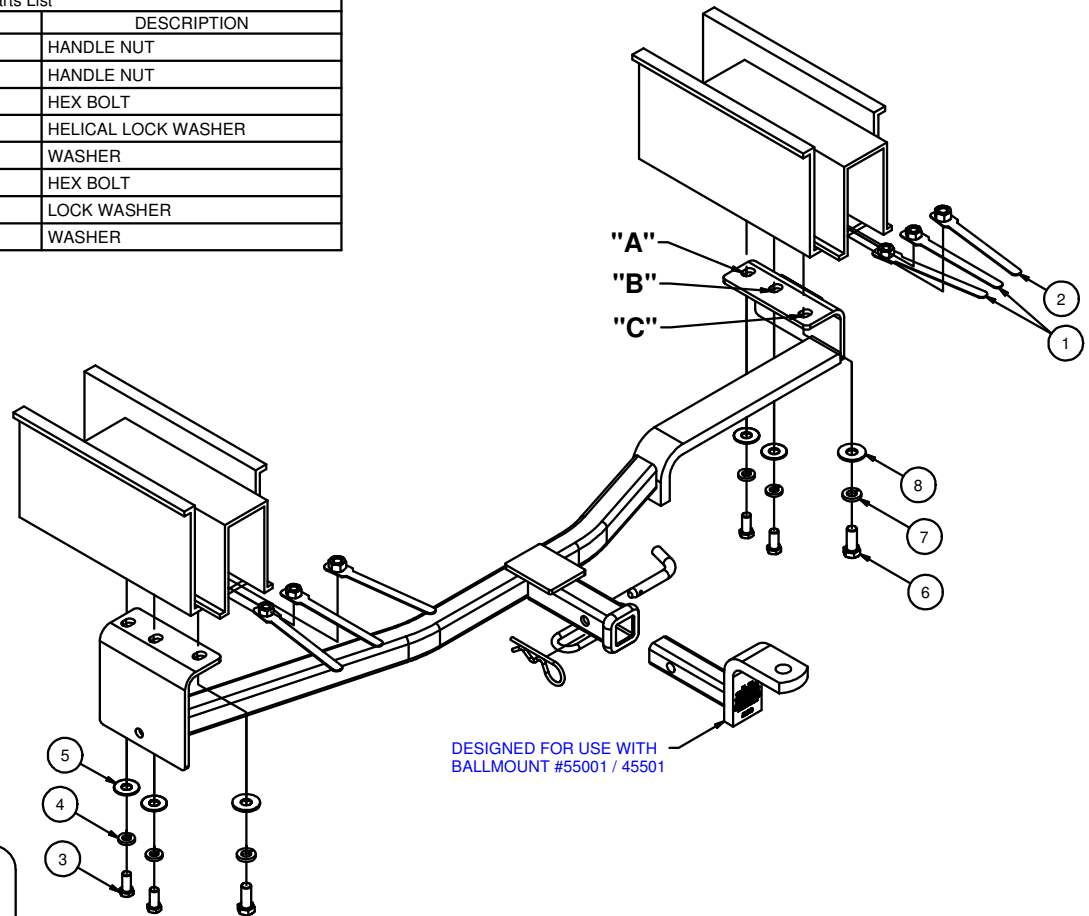


**11159 / 257238****96-04 ACURA RL**

11/26/2012

GROSS LOAD CAPACITY WHEN USED AS A WEIGHT CARRYING HITCH: 2,500 LBS. TRAILER WEIGHT & 200 LBS. TONGUE WEIGHT.  
**\*\*\*DO NOT EXCEED VEHICLE MANUFACTURER'S RECOMMENDED TOWING CAPACITY.\*\*\***

Parts List			
ITEM	QTY	PART NUMBER	DESCRIPTION
1	4	7_16-14 TAB NUT	HANDLE NUT
2	2	1/2-13	HANDLE NUT
3	4	7_16 - 14 x 1	HEX BOLT
4	4	7/16 LOCK WASHER	HELICAL LOCK WASHER
5	4	7/16 WASHER	WASHER
6	2	1/2-13 x 1 1/4	HEX BOLT
7	2	1/2"	LOCK WASHER
8	2	1/2"	WASHER



HITCH WEIGHT: 27 LBS.  
 INSTALL TIME: 45 MINUTES  
 INSTALL NOTES:  
 - NO DRILLING REQUIRED

### **INSTALLATION STEPS**

- 1) Locate the frame rails under the rear of the car, the hitch mounts directly to the existing holes in these frame rails.  
**\*\* NOTE \*\*** For easier installation, the muffler can be temporarily lowered by unhooking the rear most exhaust hangers.
- 2) With hitch in position, install the 7/16" x 1" bolt and washers into the forward most holes in the frame rails. The handle nuts must be inserted from the rear of the frame as shown. Bend the handles to achieve any clearance you need. **DO NOT TIGHTEN** at this time
- 3) Install the rest of the fasteners working rearward in the positions shown in the diagram. (In order "A", "B", & "C")
- 4) Starting with the bolts at "C" and working forward, tighten all hardware to the following torque specifications.

1/2" hardware = 110 lb-ft  
 7/16" hardware = 70 lb-ft

**PERIODICALLY CHECK THIS RECEIVER HITCH TO ENSURE THAT ALL FASTENERS ARE TIGHT AND THAT ALL STRUCTURAL COMPONENTS ARE SOUND.**



The **FIRST** Name  
 in Towing Products™

Trailer Hitches