

11141

96-05 TOYOTA RAV4

11/12/2012

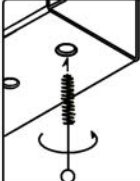
GROSS LOAD CAPACITY WHEN USED AS A WEIGHT CARRYING HITCH: 2,500 LBS. TRAILER WEIGHT & 250 LBS. TONGUE WEIGHT.

*****DO NOT EXCEED VEHICLE MANUFACTURER'S RECOMMENDED TOWING CAPACITY.*****

WARNING: ALL NON-TRAILER LOADS APPLIED TO THIS PRODUCT MUST BE SUPPORTED BY AUXILIARY STABILIZING STRAPS.

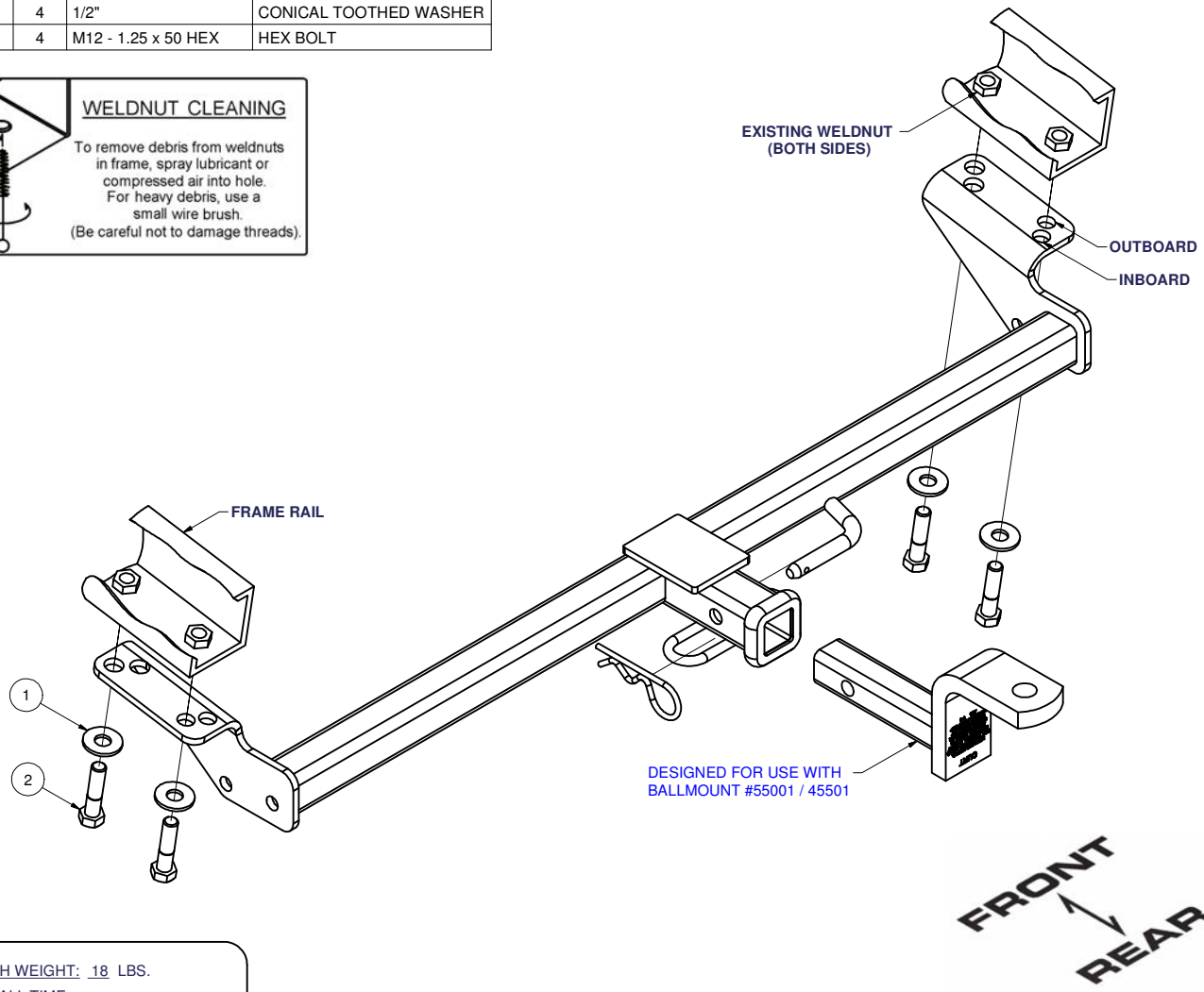
**** FAILURE TO PROPERLY SUPPORT NON-TRAILER LOADS WILL VOID PRODUCT WARRANTY****

Parts List			
ITEM	QTY	PART NUMBER	DESCRIPTION
1	4	1/2"	CONICAL TOOTHED WASHER
2	4	M12 - 1.25 x 50 HEX	HEX BOLT



WELDNUT CLEANING

To remove debris from weldnuts in frame, spray lubricant or compressed air into hole. For heavy debris, use a small wire brush. (Be careful not to damage threads).



HITCH WEIGHT: 18 LBS.
 INSTALL TIME
 PROFESSIONAL: 10 MINUTES
 NOVICE (DIY): 20 MINUTES
 INSTALL NOTES:
 -NO DRILLING REQUIRED
 -REMOVE TIE DOWN BRACKETS

INSTALLATION STEPS

1. Under vehicle remove left and right tie down brackets from frame rails.
2. Hitch will mount in place of the tie down brackets; outboard holes are used for later (2001 and up) vehicles. Install hardware as shown.
3. Torque all hardware to 86 lb.-ft.

PERIODICALLY CHECK THIS RECEIVER HITCH TO ENSURE THAT ALL FASTENERS ARE TIGHT AND THAT ALL STRUCTURAL COMPONENTS ARE SOUND.