

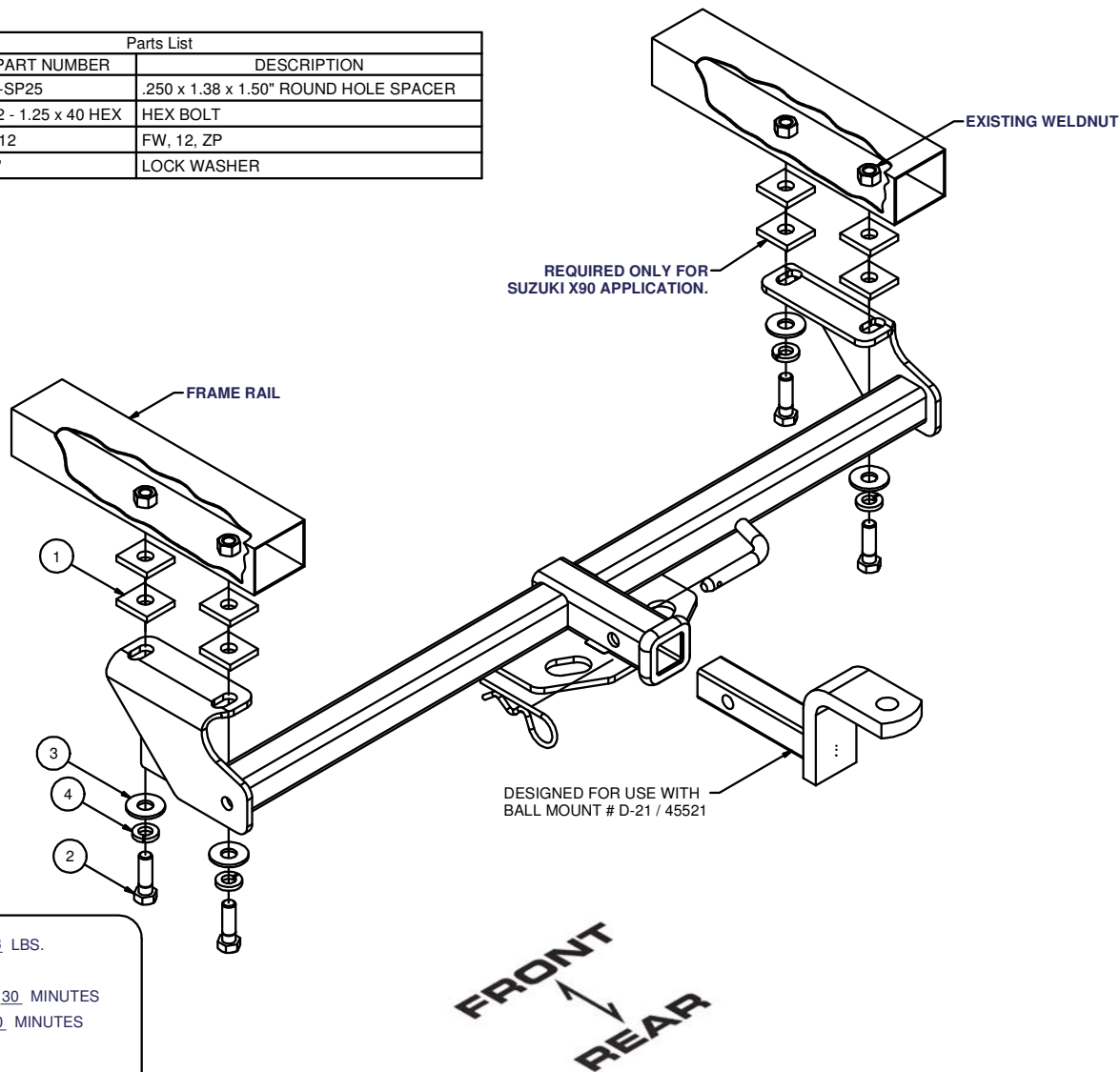
11128**89-98 CHEVY & GEO TRACKER
89-98 SUZUKI SIDEKICK**

9/10/2012

GROSS LOAD CAPACITY WHEN USED AS A WEIGHT CARRYING HITCH: 2,000 LBS. TRAILER WEIGHT & 200 LBS. TONGUE WEIGHT.

*****DO NOT EXCEED VEHICLE MANUFACTURER'S RECOMMENDED TOWING CAPACITY.*******WARNING: ALL NON-TRAILER LOADS APPLIED TO THIS PRODUCT MUST BE SUPPORTED BY AUXILIARY STABILIZING STRAPS.****** FAILURE TO PROPERLY SUPPORT NON-TRAILER LOADS WILL VOID PRODUCT WARRANTY****

Parts List			
ITEM	QTY	PART NUMBER	DESCRIPTION
1	8	CM-SP25	.250 x 1.38 x 1.50" ROUND HOLE SPACER
2	4	M12 - 1.25 x 40 HEX	HEX BOLT
3	4	FW12	FW, 12, ZP
4	4	1/2"	LOCK WASHER



HITCH WEIGHT: 23 LBS.

INSTALL TIME

PROFESSIONAL: 30 MINUTES

NOVICE (DIY): 60 MINUTES

INSTALL NOTES:

NO DRILLING REQUIRED

INSTALLATION STEPS

- 1) If present, remove rear impact bar from vehicle frame, two bolts per side. Return impact bar and bolts to vehicle owner for replacement if hitch is removed.
- 2) Position hitch under vehicle and install fasteners as shown.
- 3) For Suzuki X90 applications, place spacers between hitch and frame to clear tow hook on passenger side as shown.
- 4) Torque all M12 fasteners to 86 lb.-ft.

PERIODICALLY CHECK THIS RECEIVER HITCH TO ENSURE THAT ALL FASTENERS ARE TIGHT AND THAT ALL STRUCTURAL COMPONENTS ARE SOUND.**CURT**The **FIRST** Name
in Towing Products™

Trailer Hitches