

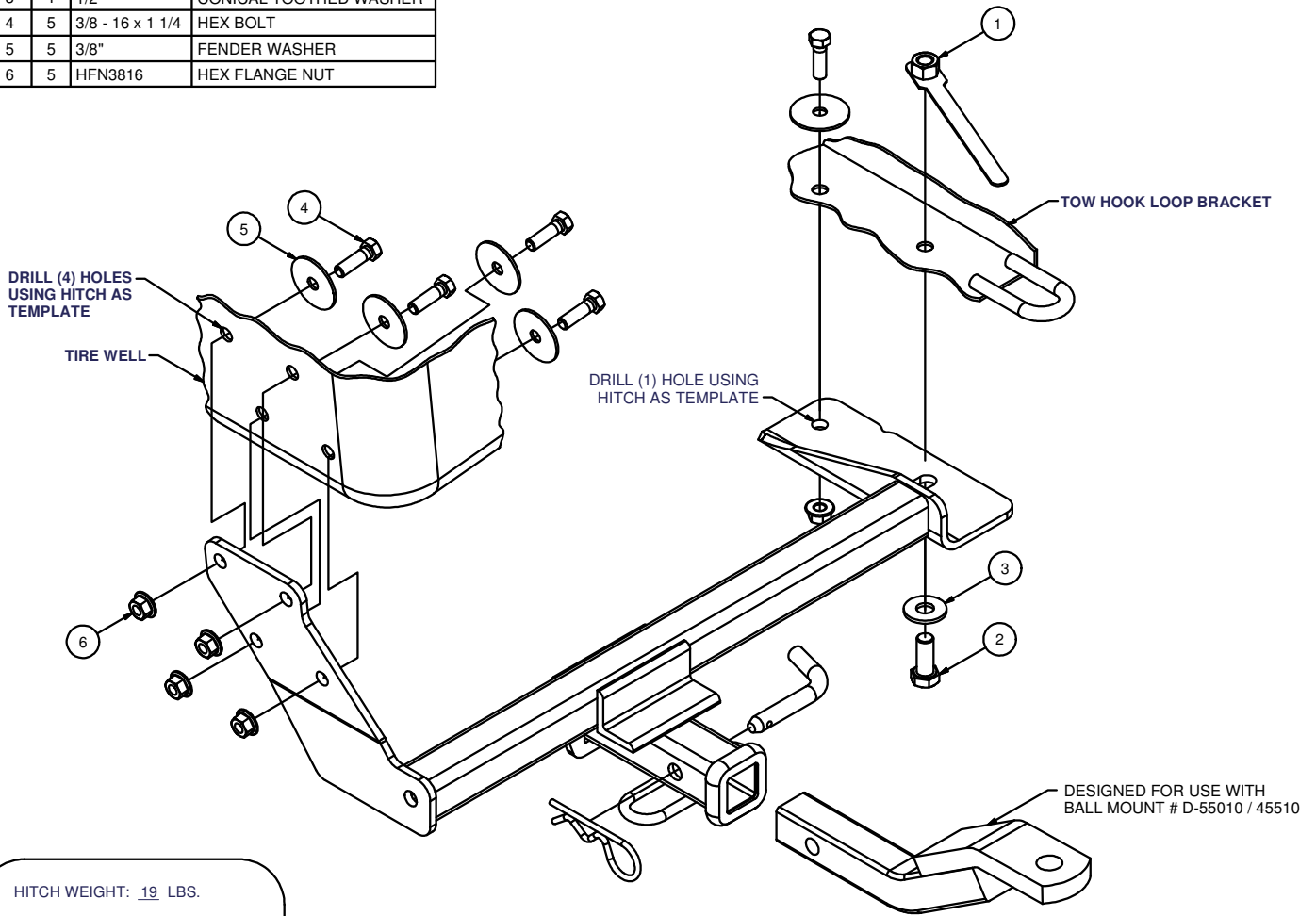
11083 / 247422

01-05 VOLKSWAGEN JETTA WAGON

9/24/2012

GROSS LOAD CAPACITY WHEN USED AS A WEIGHT CARRYING HITCH: 2,000 LBS. TRAILER WEIGHT & 200 LBS. TONGUE WEIGHT.
DO NOT EXCEED VEHICLE MANUFACTURER'S RECOMMENDED TOWING CAPACITY.

| Parts List | | | |
|------------|-----|------------------|------------------------|
| ITEM | QTY | PART NUMBER | DESCRIPTION |
| 1 | 1 | 1/2-13 | HANDLE NUT |
| 2 | 1 | 1/2-13 x 1 1/4 | HEX BOLT |
| 3 | 1 | 1/2" | CONICAL TOOTHED WASHER |
| 4 | 5 | 3/8 - 16 x 1 1/4 | HEX BOLT |
| 5 | 5 | 3/8" | FENDER WASHER |
| 6 | 5 | HFN3816 | HEX FLANGE NUT |



HITCH WEIGHT: 19 LBS.
INSTALL TIME: 30 MINUTES
INSTALL NOTES:
DRILLING REQUIRED

INSTALLATION STEPS

1. Temporarily remove plastic tray and contents under rear floor before drilling. Lower exhaust to ease installation. Lift hitch into position, aligning the slot in the passenger side plate with the existing hole in the tow hook loop bracket. Loosely install fasteners.
2. With hitch in position level and square to vehicle drill four holes on driver side using hitch as a template. Install fasteners as shown.
3. Use hitch as a template and drill the remaining mounting hole on passenger side. Install fasteners as shown.
4. Torque 1/2" hardware to 110 lb.-ft. and 3/8" hardware to 45 lb.-ft.

PERIODICALLY CHECK THIS RECEIVER HITCH TO ENSURE THAT ALL FASTENERS ARE TIGHT AND THAT ALL STRUCTURAL COMPONENTS ARE SOUND.