

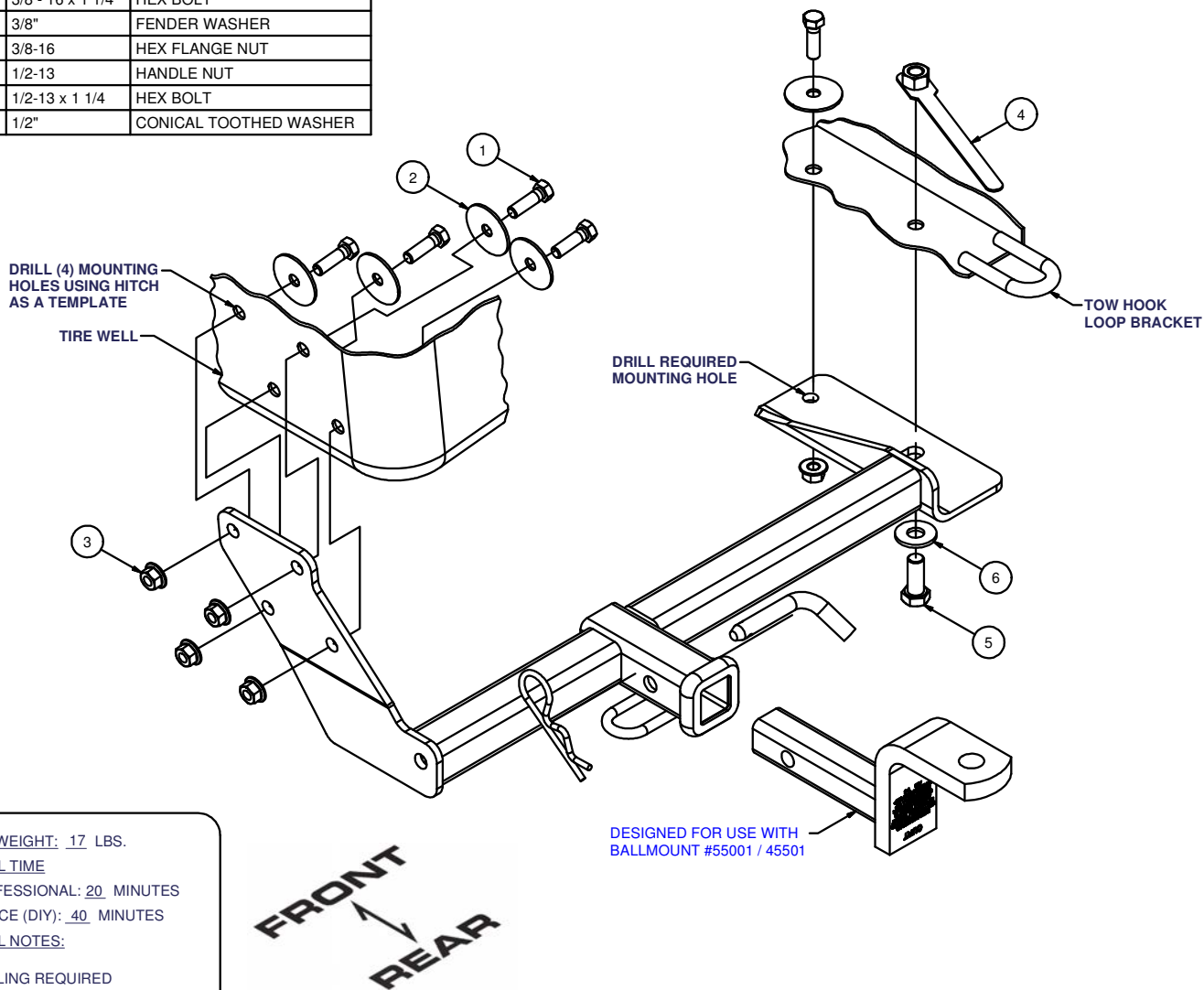
11070**99.5-05 VOLKSWAGEN JETTA SEDAN**

7/17/2012

GROSS LOAD CAPACITY WHEN USED AS A WEIGHT CARRYING HITCH: 2,000 LBS. TRAILER WEIGHT & 200 LBS. TONGUE WEIGHT.

*****DO NOT EXCEED VEHICLE MANUFACTURER'S RECOMMENDED TOWING CAPACITY.*******WARNING: ALL NON-TRAILER LOADS APPLIED TO THIS PRODUCT MUST BE SUPPORTED BY AUXILIARY STABILIZING STRAPS.****** FAILURE TO PROPERLY SUPPORT NON-TRAILER LOADS WILL VOID PRODUCT WARRANTY****

Parts List			
ITEM	QTY	PART NUMBER	DESCRIPTION
1	5	3/8 - 16 x 1 1/4	HEX BOLT
2	5	3/8"	FENDER WASHER
3	5	3/8-16	HEX FLANGE NUT
4	1	1/2-13	HANDLE NUT
5	1	1/2-13 x 1 1/4	HEX BOLT
6	1	1/2"	CONICAL TOOTHED WASHER



HITCH WEIGHT: 17 LBS.

INSTALL TIME

PROFESSIONAL: 20 MINUTES

NOVICE (DIY): 40 MINUTES

INSTALL NOTES:

DRILLING REQUIRED

INSTALLATION STEPS

- 1) Lift hitch into position aligning the slot in passenger side mounting plate with the existing hole in tow hook loop bracket. Loosely install fasteners as shown.
- 2) Position hitch level and square to vehicle. Use hitch as a template to drill holes for mounting driver side plate. Install fasteners as shown.
- 3) Use hitch as a template and drill hole for passenger side mounting plate. Install fasteners as shown.
- 4) Torque all 1/2" fasteners to 110 lb.-ft. and all 3/8" fasteners to 45 lb.-ft.

PERIODICALLY CHECK THIS RECEIVER HITCH TO ENSURE THAT ALL FASTENERS ARE TIGHT AND THAT ALL STRUCTURAL COMPONENTS ARE SOUND.

The **FIRST** Name
in Towing Products™

Trailer Hitches