

11064**HONDA FIT**

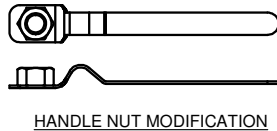
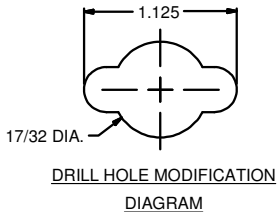
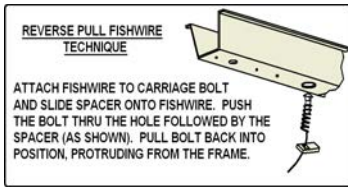
9/24/2012

GROSS LOAD CAPACITY WHEN USED AS A WEIGHT CARRYING HITCH: 2,000 LBS. TRAILER WEIGHT & 200 LBS. TONGUE WEIGHT.***** DO NOT EXCEED VEHICLE MANUFACTURER'S RECOMMENDED TOWING CAPACITY. *******WARNING: ALL NON-TRAILER LOADS APPLIED TO THIS PRODUCT MUST BE SUPPORTED BY AUXILIARY STABILIZING STRAPS.******* FAILURE TO PROPERLY SUPPORT NON-TRAILER LOADS WILL VOID PRODUCT WARRANTY. *****

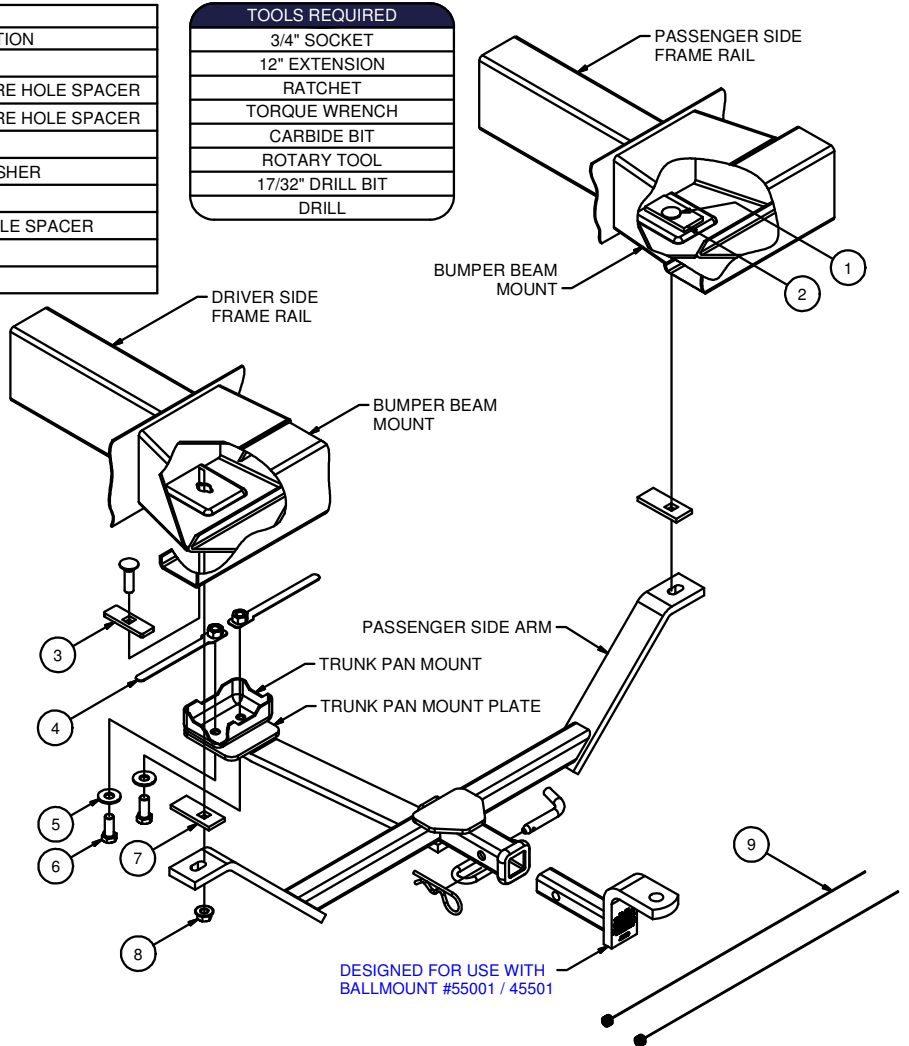
Parts List			
ITEM	QTY	PART NUMBER	DESCRIPTION
1	2	1/2-13 x 1 3/4	CARRIAGE BOLT
2	1	CM-SP53	.250 x 1.50 x 3.00" SQUARE HOLE SPACER
3	1	CM-SP6	.250 x 1.00 x 3.00" SQUARE HOLE SPACER
4	2	1/2-13	HANDLE NUT
5	2	1/2"	CONICAL TOOTHED WASHER
6	2	1/2-13 x 1 1/4	HEX BOLT
7	2	CM-SP19	.250 x 1.25 x 3.00" SQ HOLE SPACER
8	2	HFN 1213	HEX FLANGE NUT
9	2	1_2 FISHWIRE	1/2" FISHWIRE

TOOLS REQUIRED

3/4" SOCKET
12" EXTENSION
RATCHET
TORQUE WRENCH
CARBIDE BIT
ROTARY TOOL
17/32" DRILL BIT
DRILL



HITCH WEIGHT: 27 LBS.
 INSTALL TIME: 45 MINUTES
 INSTALL NOTES:
 - DRILLING REQUIRED
 - FISHWIRE HARDWARE

**INSTALLATION STEPS**

- 1) Reverse fishwire a 1/2-13 carriage bolt and CM-SP53 spacer into the access hole in the bumper beam mount on the passenger side as shown. (See Reverse Pull Fishwire Technique.)
- 2) Bend the 1/2" handle nuts and insert them into the trunk pan mount on the bottom of spare tire well as shown.
- 3) Raise the hitch into place and secure it using a 1/2" flange nut and the carriage bolt in the access hole. Install a 1/2-13 hex head bolt and conical toothed washer into each of the handle nuts. (Finger tighten only.)
- 4) Using the hitch as your template, mark the center of the hole in the driver side arm. Lower the hitch.
- 5) Drill the hole marked in Step 4 using a 17/32" drill bit and drill. Using a carbide bit and rotary tool, modify the hole as shown in the Drill Hole Modification Diagram above so a 1/2-13 carriage bolt and CM-SP6 spacer will fit into the frame rail.
- 6) Reverse pull fishwire a 1/2-13 carriage bolt and CM-SP6 spacer into the drilled/modified hole.
- 7) Raise the hitch into place and secure it using the supplied hardware as shown. Trim handles off handle nuts.
- 8) Torque all hardware to 110 lb-ft.

PERIODICALLY CHECK THIS RECEIVER HITCH TO ENSURE THAT ALL FASTENERS ARE TIGHT AND THAT ALL STRUCTURAL COMPONENTS ARE SOUND.



The **FIRST** Name
in Towing Products™

Trailer Hitches