

11060

## TOYOTA YARIS 4 DOOR SEDAN

GROSS LOAD CAPACITY WHEN USED AS A WEIGHT CARRYING HITCH: 2,000 LBS. TRAILER WEIGHT & 200 LBS. TONGUE WEIGHT.

\*\*\*DO NOT EXCEED VEHICLE MANUFACTURER'S RECOMMENDED TOWING CAPACITY.\*\*\*

WARNING: ALL NON-TRAILER LOADS APPLIED TO THIS PRODUCT MUST BE SUPPORTED BY AUXILIARY STABILIZING STRAPS.

\*\* FAILURE TO PROPERLY SUPPORT NON-TRAILER LOADS WILL VOID PRODUCT WARRANTY\*\*

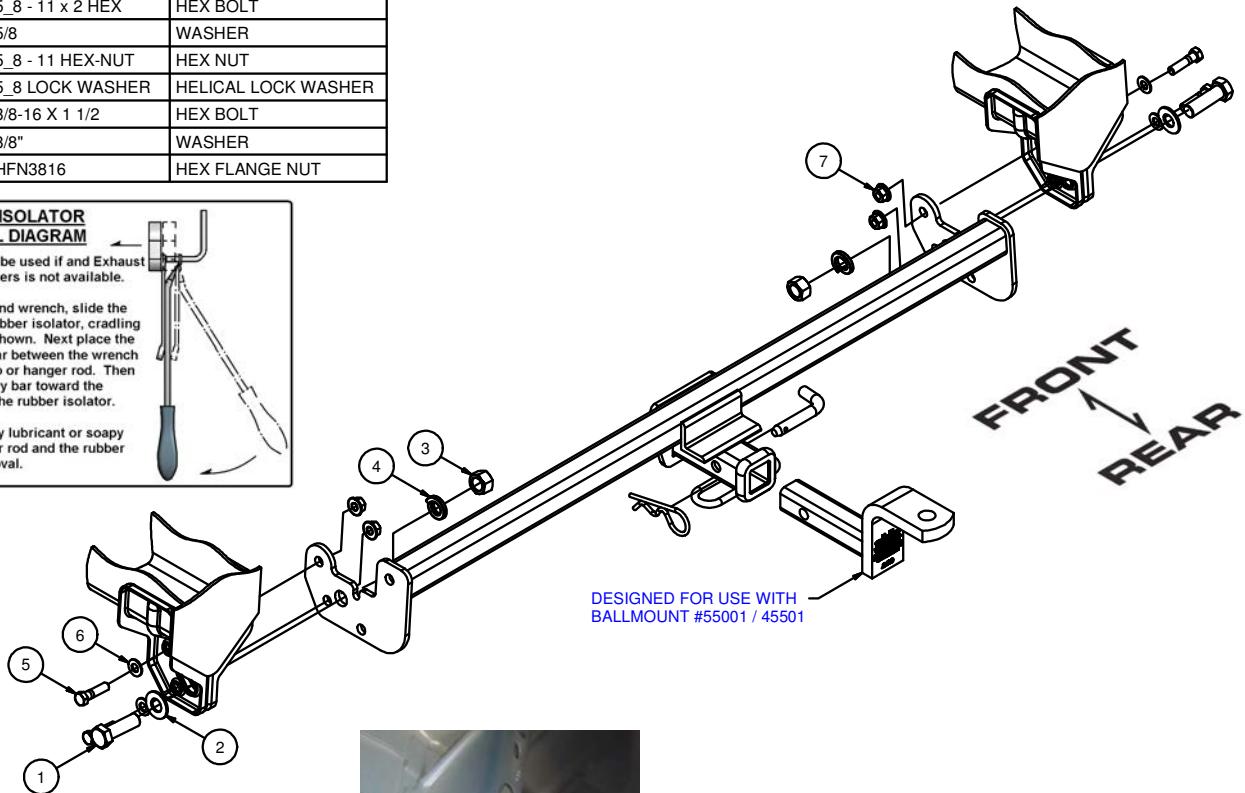
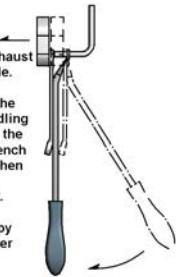
Parts List			
ITEM	QTY	PART NUMBER	DESCRIPTION
1	2	5_8 - 11 x 2 HEX	HEX BOLT
2	2	5/8	WASHER
3	2	5_8 - 11 HEX-NUT	HEX NUT
4	2	5_8 LOCK WASHER	HELICAL LOCK WASHER
5	4	3/8-16 X 1 1/2	HEX BOLT
6	4	3/8"	WASHER
7	4	HFN3816	HEX FLANGE NUT

#### RUBBER ISOLATOR REMOVAL DIAGRAM

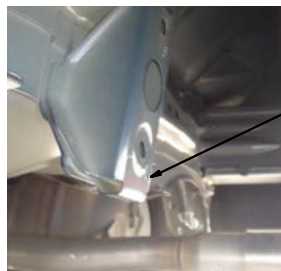
This technique can be used if and Exhaust Hanger Removal Pliers is not available.

Using a 5/8" open end wrench, slide the wrench up to the rubber isolator, cradling the hanger rod as shown. Next place the flat edge of a pry bar between the wrench and the hanger stop or hanger rod. Then simply rotate the pry bar toward the wrench to remove the rubber isolator.

Note: Using a spray lubricant or soapy water on the hanger rod and the rubber isolator helps removal.



DESIGNED FOR USE WITH  
BALLMOUNT #55001 / 45501



BEND MIDDLE TAB OR CUT OFF TO  
ALLOW CLEARANCE FOR HITCH

HITCH WEIGHT: 23 LBS.

#### INSTALL TIME

PROFESSIONAL: 35 MINUTES

NOVICE (DIY): 70 MINUTES

#### INSTALL NOTES:

- LOWER EXHAUST
- UNFASTEN LOWER FASCIA
- MODIFY MIDDLE TAB OF TRUNK PAN
- NO DRILLING REQUIRED

**NOTE:**  
HITCH ATTACHES TO THE TIE-DOWN  
BRACKETS ON BOTH SIDES

## INSTALLATION STEPS

1. Remove underbody panel, 7 push-button fasteners (if present).
2. Lower exhaust by removing (3) rubber exhaust hangers.
3. Remove (2) plastic bumper fascia tab fasteners.
4. Raise hitch into position and install supplied fasteners as shown.
5. Torque all 3/8" fasteners to 45 lb-ft and all 5/8" fasteners to 210 lb-ft.
6. Re-install bumper fascia tabs and rubber exhaust hangers to original position.
7. If underbody panel was removed, trim as required and re-install on vehicle.

**PERIODICALLY CHECK THIS RECEIVER HITCH TO ENSURE THAT ALL FASTENERS ARE TIGHT AND THAT ALL STRUCTURAL COMPONENTS ARE SOUND.**



The **FIRST** Name  
in Towing Products™

Trailer Hitches