

11058

HONDA FIT 5 DOOR SPORT

9/28/2012

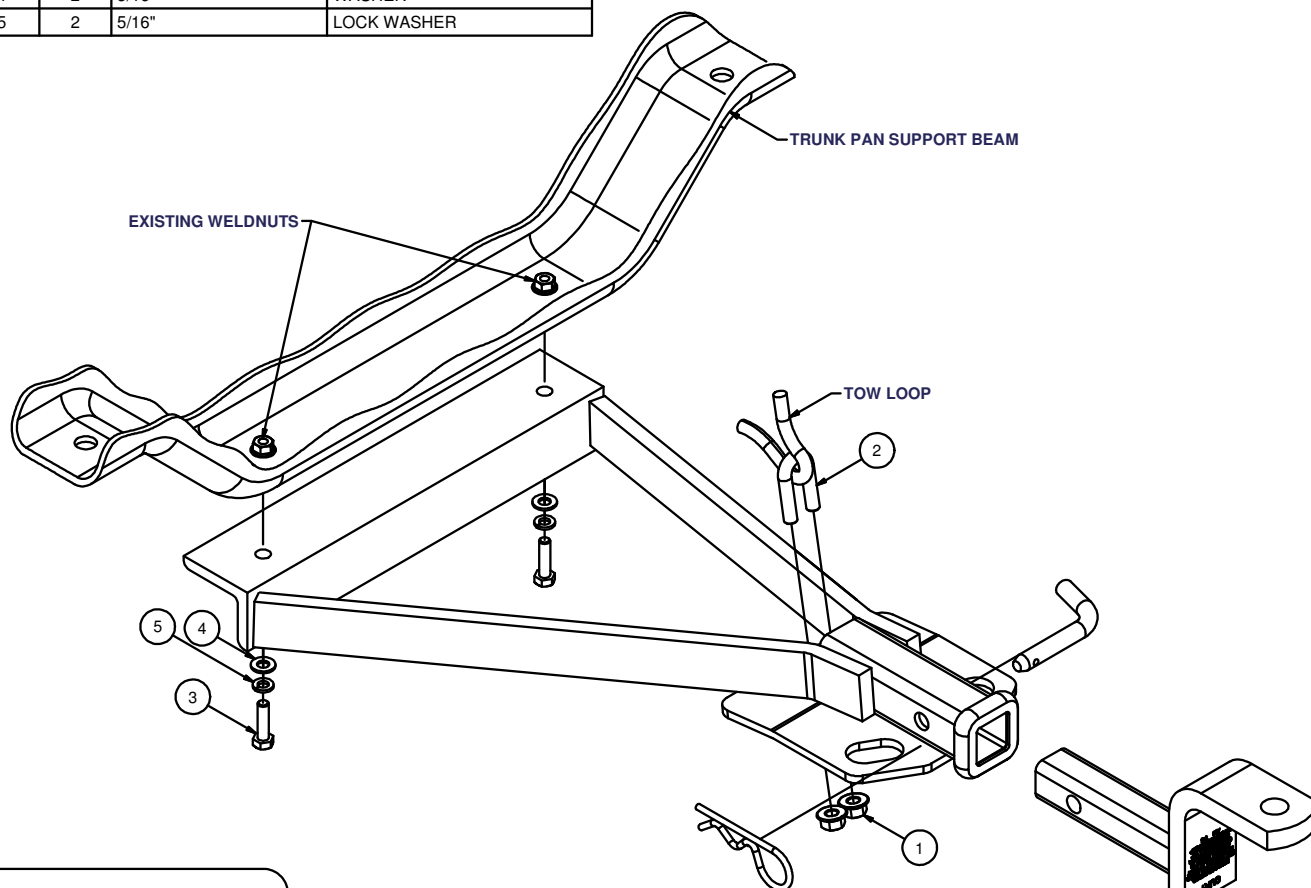
GROSS LOAD CAPACITY WHEN USED AS A WEIGHT CARRYING HITCH: 1,500 LBS. TRAILER WEIGHT & 150 LBS. TONGUE WEIGHT.

*****DO NOT EXCEED VEHICLE MANUFACTURER'S RECOMMENDED TOWING CAPACITY.*****

WARNING: ALL NON-TRAILER LOADS APPLIED TO THIS PRODUCT MUST BE SUPPORTED BY AUXILIARY STABILIZING STRAPS.

**** FAILURE TO PROPERLY SUPPORT NON-TRAILER LOADS WILL VOID PRODUCT WARRANTY****

Parts List			
ITEM	QTY	PART NUMBER	DESCRIPTION
1	2	3/8-16	HEX FLANGE NUT
2	1	CM-3807-UBR	3/8-16 x 1.375 x .875" U-BOLT
3	2	M8 - 1.25 x 30 TAP BOLT	HEX HEAD TAP BOLT
4	2	5/16"	WASHER
5	2	5/16"	LOCK WASHER



HITCH WEIGHT: 22 LBS.

INSTALL TIME

PROFESSIONAL: 15 MINUTES

NOVICE (DIY): 30 MINUTES

INSTALL NOTES:

- REMOVE SKID SHIELD

- NO DRILLING REQUIRED

INSTALLATION STEPS

- 1) Remove lower skid shield (3) bolts, return bolts and skid shield to customer.
- 2) Place u-bolt into tow loop, raise hitch into position and secure with supplied fasteners.
- 3) Torque all 3/8" fasteners to 45 lb-ft, and all M8 fasteners to 23 lb-ft.

PERIODICALLY CHECK THIS RECEIVER HITCH TO ENSURE THAT ALL FASTENERS ARE TIGHT AND THAT ALL STRUCTURAL COMPONENTS ARE SOUND.



The **FIRST** Name in Towing Products™

Trailer Hitches