

45048

2 1/2 INCH RECEIVER TUBE EXTENSION

GROSS LOAD CAPACITY WHEN USED AS A WEIGHT CARRYING HITCH: 34"- 6,000 LBS, 24"- 8,000 LBS.

TRAILER WEIGHT & 34"- 600 LBS, 24"- 800 LBS. TONGUE WEIGHT.

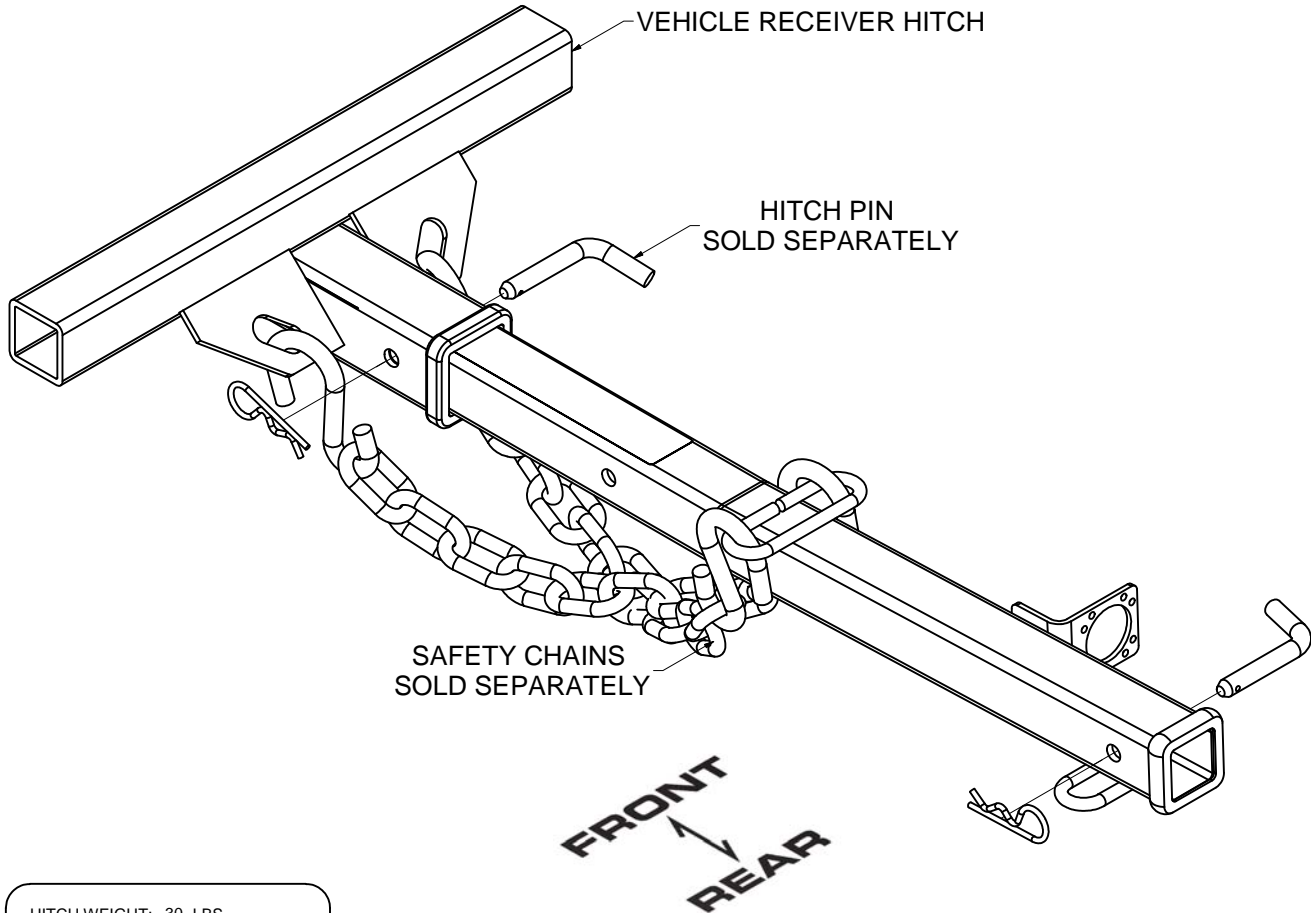
DO NOT EXCEED VEHICLE MANUFACTURER'S RECOMMENDED TOWING CAPACITY.

WARNING: ALL NON-TRAILER LOADS APPLIED TO THIS PRODUCT MUST BE SUPPORTED BY A STABILIZING STRAPS.

** FAILURE TO PROPERLY SUPPORT NON-TRAILER LOADS WILL VOID PRODUCT WARRANTY**

Parts List			
ITEM	QTY	PART NUMBER	DESCRIPTION
1	1	F-5	5/8" HITCH PIN & CLIP

TOOLS REQUIRED
HACK SAW



HITCH WEIGHT: 30 LBS.

INSTALL TIME

PROFESSIONAL: 2 MINUTES

NOVICE (DIY): 4 MINUTES

INSTALL NOTES:

NO DRILLING REQUIRED

INSTALLATION STEPS

1. Trim receiver tube extension at dotted line on sticker if used at 24".
2. Slide receiver tube extension into 2 1/2" receiver tube, install hitch pin and clip as shown. Attach safety chain from vehicle to receiver tube extension safety chain loop.
3. Place desired ballmount in end of receiver tube extension and install hitch pin and clip.
4. Attach trailer to ballmount along with the trailers safety chains to receiver tube extension chain plate, and plug in trailer lights. (NOTE: Trailer lights may require wire extensions.)

PERIODICALLY CHECK THIS RECEIVER HITCH TO ENSURE THAT ALL FASTENERS ARE TIGHT AND THAT ALL STRUCTURAL COMPONENTS ARE SOUND.



The **FIRST** Name in Towing Products™

[Hitch Balls & Mounts](#)