

INSTALLATION MANUAL

70141

Level of Difficulty

Easy

Installation difficulty levels are based on time and effort involved and may vary depending on the installer level of expertise, condition of the vehicle and proper tools and equipment.

Installed Attachment Tabs

Height	21"
Width	31-1/4"

Parts List

Item	Qty	Description
1	2	Tow bar base plate, universal
2	1	Safety cable loop mounting plate, driver side
3	1	Safety cable loop mounting plate, passenger side
4	2	Tow bar mounting tab
5	2	Safety cable, 7,500 lbs.
6	4	Hex bolt, 1/2"-13 x 5", grade 8
7	4	Conical-toothed washer, 1/2"
8	4	Flange nut, 1/2"-13, grade 8
9	2	Quick link, 1/2"
10	2	Socket plug

Tools Required

Torque wrench	Drill
Ratchet	Drill bit, 1/2"
Socket, 3/4" (short)	Wrench, 18mm
Socket, 18mm (short)	Reciprocating saw
Socket extension, 3"	--

⚠ WARNING

Never exceed the vehicle manufacturer's recommended gross vehicle weight rating (GVWR).

Product Photo



Not pictured: Safety cables, quick links and socket plugs

⚠ CAUTION

Take care when cutting any plastic or metal as injury may occur if done improperly.

NOTICE

Before you begin installation, read all instructions thoroughly.

Proper tools will improve the quality of installation and reduce the time required.

This installation requires:

- Recovery loop removal
- Drilling
- Trimming

To help prevent damage to the product or vehicle, refer to the specified torque specifications when securing hardware during the installation process.

If equipped, we recommend removing the base plate attachment tabs when not in use.

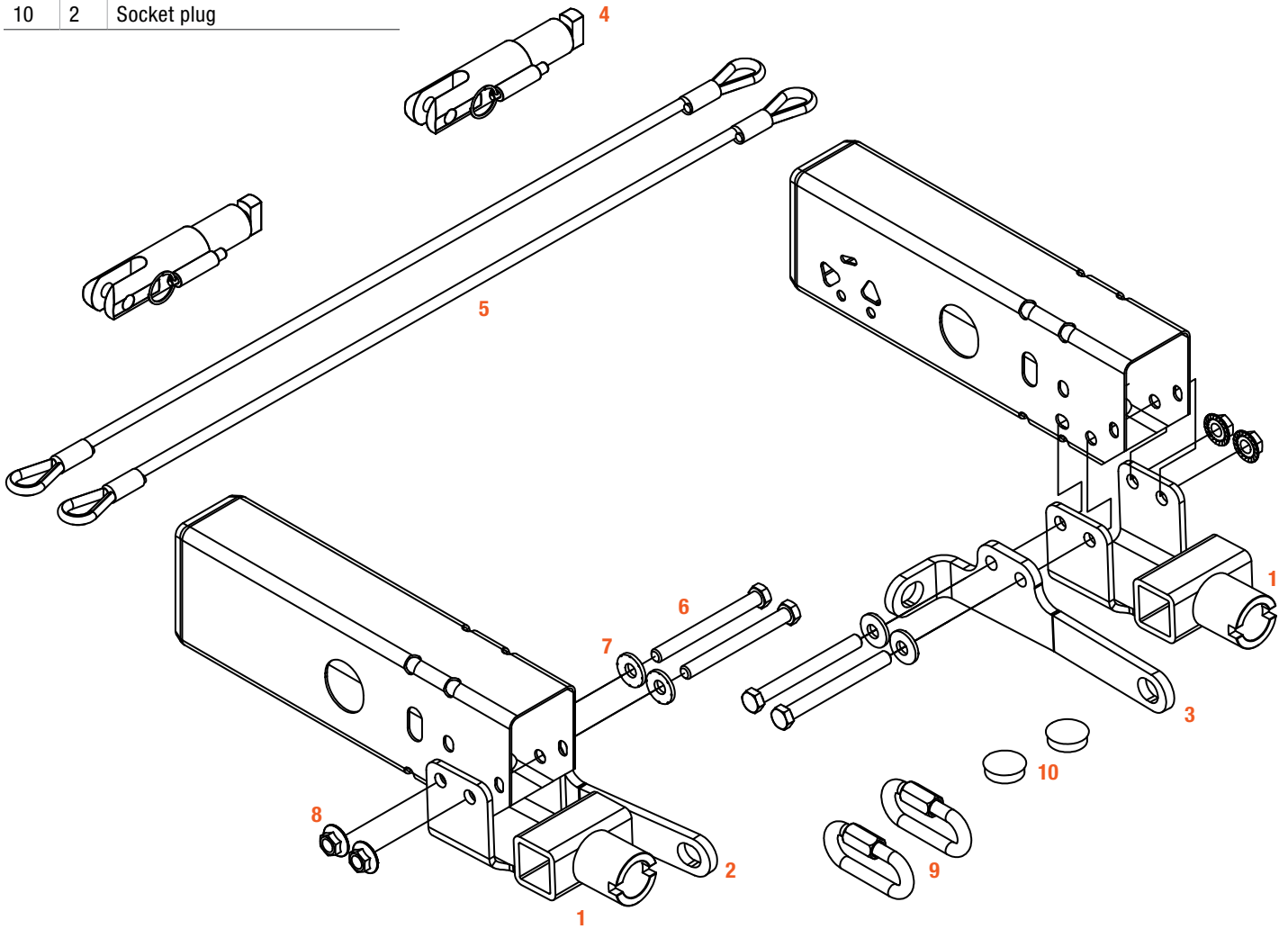
SAFETY INSTRUCTIONS

Safety glasses should be worn at all times while installing this product.

ASSEMBLY

Parts List

Item	Qty	Description
1	2	Tow bar base plate, universal
2	1	Safety cable loop mounting plate, driver side
3	1	Safety cable loop mounting plate, passenger side
4	2	Tow bar mounting tab
5	2	Safety cable, 7,500 lbs.
6	4	Hex bolt, 1/2"-13 x 5", grade 8
7	4	Conical-toothed washer, 1/2"
8	4	Flange nut, 1/2"-13, grade 8
9	2	Quick link, 1/2"
10	2	Socket plug



Step 1

Locate the two bolts near the frame rails that are securing the bumper. They are located by the recovery hook attachment bolts, inboard of the frame rails.

Using a 18mm socket and a ratchet, loosen the two bolts.



Step 2

Using the 18mm socket, ratchet and 18mm boxed end wrench, remove the two bolts attaching each tow hook to the frame.



Step 3

Pull the tow hooks out of the front of the vehicle through the bumper openings. Pull the foam-backed plastic trim from between the frame rails and bumper cover.

Return hooks, bolts and foam trim to vehicle owner.



Step 4

On the driver side, slide one of the tow bar base plates (#1) up onto the frame rail so that the holes line up.

To provide clearance for the base plate, trim the bumper cover opening as needed. Try to keep the cuts even with the sides of the original recovery hook openings.

Repeat on the passenger side.



Step 5

Using the tow bar base plate (#1) as a template, drill the remaining rearward hole in the frame rail on both sides of the vehicle, allowing the bolt to pass completely through the frame rail.



Step 6

With the driver-side tow bar base plate in position, align the safety cable loop mounting plate (#2) holes and loosely install the 1/2" hex bolts (#6) and conical-toothed washers (#7). Secure with 1/2" flange nuts (#8).

Make sure the bent tabs on the mounting plate are facing the center of the vehicle.



Step 7

Torque all 1/2" fasteners to 110 lb-ft.



Step 8

Tighten the bolts loosened in Step 1.



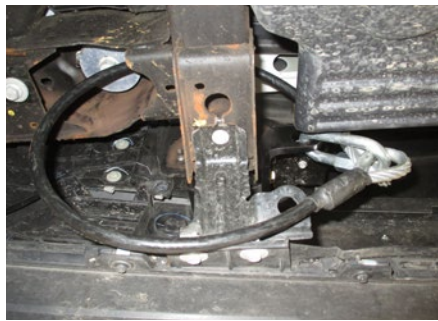
Step 9

Install the permanent safety cables (#5) and quick links (#9), looping them around the vehicle frame and linking them to the tow bar base plates (#1). There must be one cable on each side of the vehicle.

Make sure the cables do not pinch or interfere with any hoses, wiring or other components.

See 'Installing the Permanent Base Plate Safety Cables' for additional information.

When ready to tow, install the tow bar mounting tabs (#4). When not towing, insert the socket plugs (#10) into the ends of the tow bar base plates (#1).



Final Installed Image



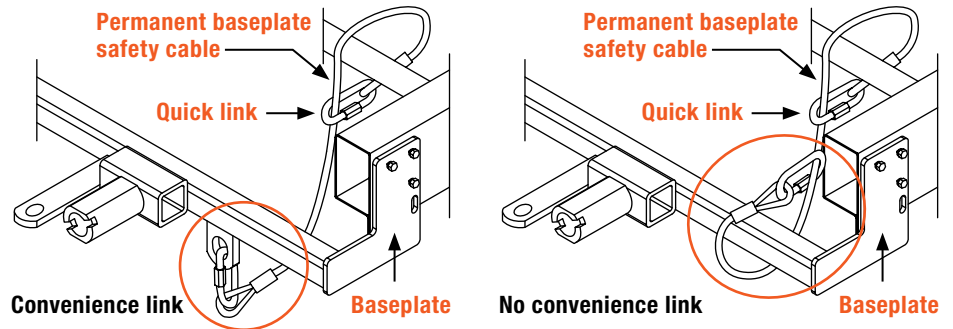
SAFETY CABLE INSTALLATION

Installing the Permanent Base Plate Safety Cables

When dinghy towing a vehicle with a tow bar, base plate safety cables should be used at all times. In the event of a disconnect, the safety cables are designed to help prevent complete vehicle separation. When installing the safety cables, use the illustrations below as a guide.

Installation guidelines

1. The cables must be connected to the base plate and the vehicle frame.
2. Two cables must be installed.
3. Each cable must meet or exceed the gross weight of the towed vehicle.
4. Make sure cables do not pinch or interfere with hoses, wiring or other components.



Note: Base plate safety cables are not a replacement for safety chains connecting the tow vehicle to the towed vehicle.

ADDITIONAL INFORMATION

Towing Tips

Check your equipment

Periodically check the condition of all towing equipment. Ensure all fasteners are tight and that all structural components are sound. Do not tow with worn or damaged parts.

Vehicle manufacturer's recommendations

Review the owner's manual for your towed vehicle and towing vehicle for specific recommendations, capacities and requirements.