

INSTALLATION MANUAL

70138

Level of Difficulty

Difficult

Installation difficulty levels are based on time and effort involved and may vary depending on the installer level of expertise, condition of the vehicle and proper tools and equipment.

Installed Attachment Tabs

Height	13-1/2"
Width	20"

Parts List

Item	Qty	Description
1	1	Tow bar base plate, driver side
2	1	Tow bar base plate, passenger side
3	2	Tow bar mounting tab
4	2	Safety cable, 7,500 lbs.
5	9	Fishwire, 3/8"
6	13	Carriage bolt, 3/8"-16, 1-1/2", grade 8
7	13	Serrated flange nut, 3/8"-16, grade 8
8	1	Square hole spacer, 0.25 x 0.88" x 2.25"
9	8	Square hole spacer, 0.25" x 1.00" x 2.00"
10	2	Quick link, 1/2"
11	2	Caplugs # dop-1375
12	1	Zip tie
13	1	Flat washer, 3/8"

Tools Required

Ratchet wrench	Torx bit, T-15
Torque wrench	Clamp
Socket, 7mm	Grinder with cutoff wheel
Socket, 10mm	Reciprocating Saw
Socket, 15mm	Drill or die grinder
Socket extension, 6"	Drill bit, 3/8"
Flathead screwdriver	--

⚠ WARNING

Never exceed the vehicle manufacturer's recommended towing capacity.

Product Photo



⚠ CAUTION

Take care when cutting any plastic or metal as injury may occur if done improperly.

NOTICE

Before you begin installation, read all instructions thoroughly.

Proper tools will improve the quality of installation and reduce the time required.

This installation requires:

- Removal of bumper cover
- Drilling
- Fishwiring
- Trimming

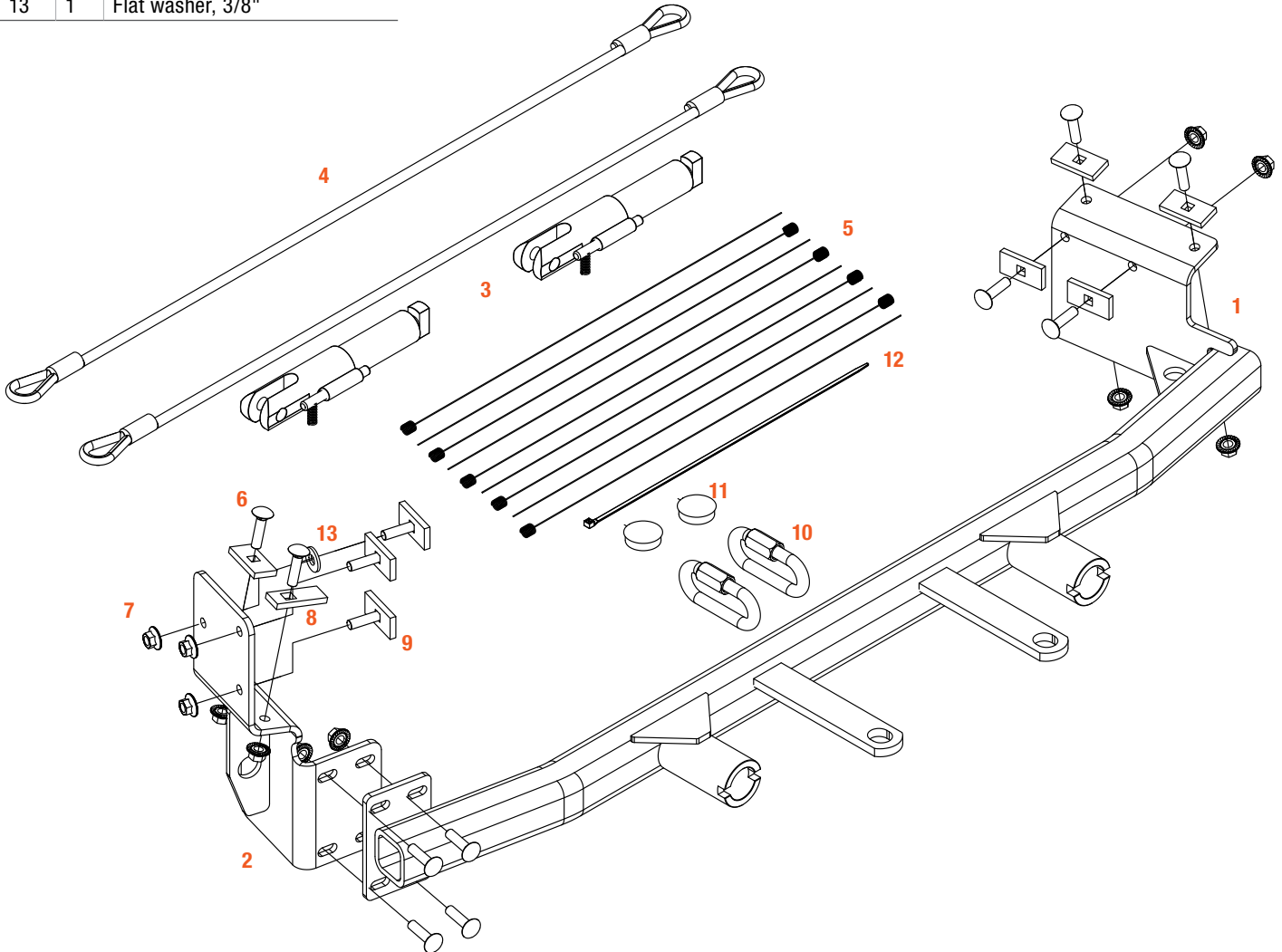
Periodic inspection of your product should be performed to ensure all hardware and / or components remain secure.

To help prevent damage to the product or vehicle, refer to the specified torque specifications when securing hardware during the installation process.

ASSEMBLY

Parts List

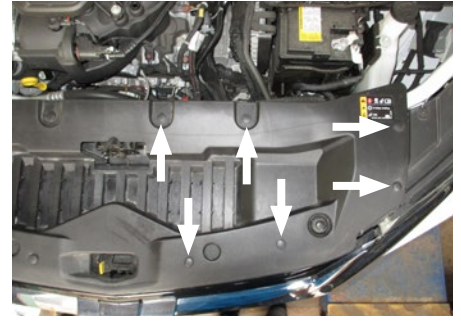
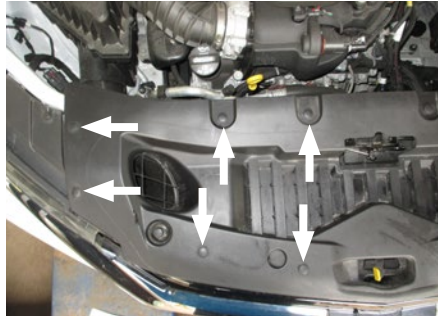
Item	Qty	Description
1	1	Tow bar base plate, driver side
2	1	Tow bar base plate, passenger side
3	2	Tow bar mounting tab
4	2	Safety cable, 7,500 lbs.
5	9	Fishwire, 3/8"
6	13	Carriage bolt, 3/8"-16, 1-1/2", grade 8
7	13	Serrated flange nut, 3/8"-16, grade 8
8	1	Square hole spacer, 0.25 x 0.88" x 2.25"
9	8	Square hole spacer, 0.25" x 1.00" x 2.00"
10	2	Quick link, 1/2"
11	2	Caplugs # dop-1375
12	1	Zip tie
13	1	Flat washer, 3/8"



Step 1

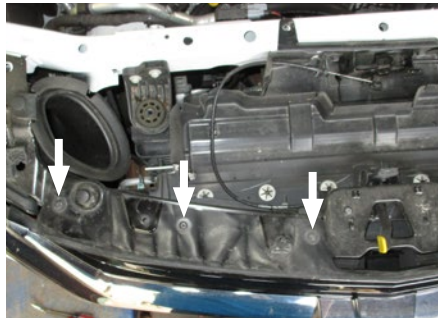
Use a screwdriver to remove the twelve push fasteners from the radiator cover on the top of the grill, six on each side.

Remove the cover and set aside.



Step 2

Use a T-15 Torx bit to remove the six bolts, three on each side, from the top of the fascia.



Step 3

Use a T-15 Torx to remove the four bolts along the front edge of both of the front wheel wells.



Step 4

Unsnap the fender trim away from the fascia. Place a rag between the trim and the fascia to prevent damage to the fascia. Do this on both sides of the vehicle.



Step 5

Use a T-15 Torx bit to remove one bolt from the fascia joint under the fender trim. Do this on both sides of the vehicle.



Step 6

Use a T-15 Torx bit to remove the six bolts from the underside of the vehicle in front of the tire. There are three on each side.



Step 7

Use a 7mm socket to remove the two bolts from the underside of the vehicle in the center



Step 8

Pull back the wheel liner. Use a 7mm socket to remove the three bolts from behind the light. Do this on both sides of the vehicle.



Step 9

Pull the fascia away from the vehicle to unsnap. Unplug all electrical connections, remove the fascia and set aside to be reinstalled later.



Step 10

Use a 10mm socket to remove four bolts from the windshield fluid reservoir on the driver side of the vehicle. Disconnect all lines and drain the washer fluid. Remove reservoir and set aside to be reinstalled later.



Step 11

On the driver side of the vehicle, use a grinder with a cutoff wheel or reciprocating saw to trim the back of the Adaptive Cruise Control (ACC) bracket approximately 1/4" or more to allow clearance for the baseplate.



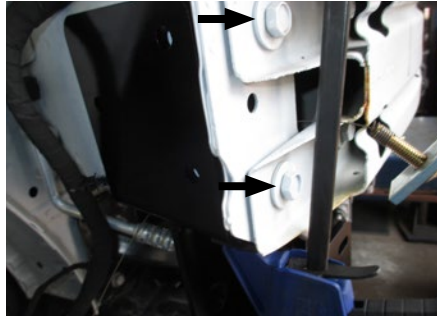
Step 12

Use a 7mm socket to remove the three bolts on the underside of the vehicle and the two bolts from the front of the vehicle securing the plastic shroud in place. Remove shroud and set aside to be reinstalled later.



Step 13

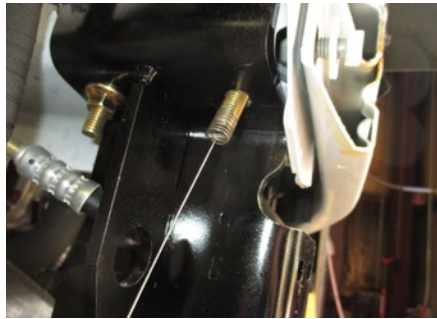
Slide the passenger-side plate (#2) onto the vehicle, ensuring that it is as high and as forward as possible. Clamp the passenger-side plate to the frame and remove two bolts from the bumper to allow room to install the bolts on the passenger-side plate.



Step 14

Use a 3/8" drill bit to drill the two bottom holes. Fishwire two 3/8" carriage bolts (#6) with square hole spacers (#8) to attach the passenger-side plate (#2)

Note: Use the 0.25" x 1.00" x 2.00" square hole spacer (#9) on the bottom right hole.



Step 15

Hold the driver-side plate (#1) and cross bar in place. Where the cross bar attaches to the passenger-side plate (#2), insert two 3/8" bolts (#6) and two 3/8" serrated-flange nuts (#7). Use a clamp to secure the driver-side plate in place.



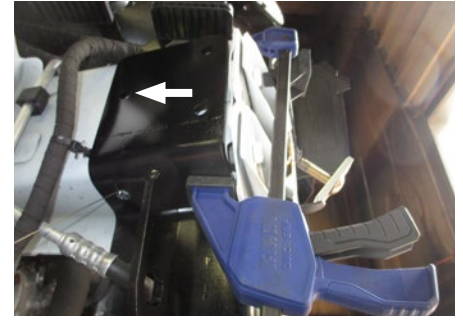
Step 16

Make sure the driver-side plate is as far forward as possible. Then use a 3/8" drill bit to drill the top two holes on the driver-side plate.



Step 17

Install two 3/8" bolts (#6) and hardware into the two holes previously drilled. Proceed to drill the remaining five holes, three on the passenger side and two on the driver side. Install 3/8" bolts and hardware once all the holes have been drilled. Insert the 3/8" washer (#13) inbetween the passenger-side base plate (#2) and the frame rails in the location shown to the right.



Step 18

Install the remaining two 3/8" bolts (#6) with hardware securing the cross member to the passenger-side plate.

Torque all 3/8" fasteners to 37 ft-lbs.



Step 19

Install the permanent safety cables (#4) and quick links (#10), looping them around the vehicle frame and linking them to the tow bar base plate (#1, #2). There must be one cable on each side of the vehicle.

Make sure the cables do not pinch or interfere with any hoses, wiring or other components (see Installing the Permanent Base Plate Safety Cables for additional information).



Step 20

Hold the plastic shroud in place, mark, and trim as needed around baseplate before reinstalling on the vehicle.



Step 21

Reinstall the windshield washer fluid reservoir on the driver side of the vehicle. Reconnect all the lines and then refill with washer fluid.



Step 22

Remove the temperature sensor from the bracket on the back side of the fascia. Using a reciprocating saw, cut the bracket as shown. Use the provided zip tie (#12) to secure the temperature sensor to the upper loom as shown.



Step 23

Use a reciprocating saw to trim the fascia around the convenience links and attachments tabs.



Step 24

When ready to tow, install the tow bar mounting tabs. When not towing, insert the socket plugs (#11) into the ends of the tow bar base plates

Final Installed Image



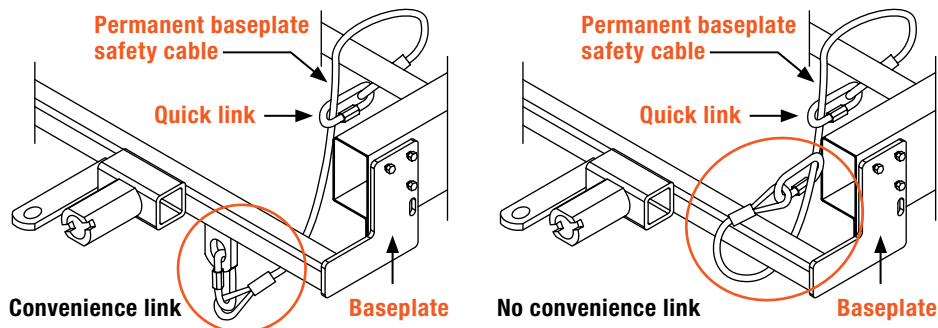
SAFETY CABLE INSTALLATION

Installing the Permanent Base Plate Safety Cables

When dinghy towing a vehicle with a tow bar, base plate safety cables should be used at all times. In the event of a disconnect, the safety cables are designed to help prevent complete vehicle separation. When installing the safety cables, use the illustrations below as a guide.

Installation guidelines

1. The cables must be connected to the base plate and the vehicle frame.
2. Two cables must be installed.
3. Each cable must meet or exceed the gross weight of the towed vehicle.
4. Make sure cables do not pinch or interfere with hoses, wiring or other components.



Note: Base plate safety cables are not a replacement for safety chains connecting the tow vehicle to the towed vehicle.

ADDITIONAL INFORMATION

Towing Tips

Check your equipment

Periodically check the condition of all towing equipment. Ensure all fasteners are tight and that all structural components are sound. Do not tow with worn or damaged parts.

Towing vehicle and trailer manufacturer's recommendations

Review the owner's manual for your towing vehicle and trailer for specific recommendations, capacities and requirements.

[View other trailer hitches and towing made by CURT on our website.](#)