

INSTALLATION MANUAL

70114

Level of Difficulty

Difficult

Installation difficulty levels are based on time and effort involved and may vary depending on the installer level of expertise, condition of the vehicle and proper tools and equipment.

Installed Attachment Tabs

Height	16-1/2"
Width	22"

Parts List

Item	Qty	Description
1	1	Tow bar base plate
2	2	Tow bar mounting tab
3	2	Safety cable, 7,500 lbs.
4	1	Mounting tab, driver side
5	1	Mounting tab, passenger side
6	10	Carriage bolt, 3/8"-16 x 1-1/2", grade 8
7	4	Square hole spacer, 1/4" x 1" x 2"
8	10	Flange nut, 3/8", grade 8
9	18	Flat washer, 1/4"
10	2	Carriage bolt, 5/8"-11 x 2", grade 8
11	2	Square hole spacer, 3/8" x 1-1/4" x 2-1/2"
12	2	Flange nut, 5/8", grade 8
13	2	Quick link, 1/2"
14	2	Socket plug

Tools Required

Torque wrench	Drill
Socket, 7/16"	Drill bit, 3/8"
Socket, 9/16"	Socket, 1-1/8"
Socket, 5.5mm	Socket, 10mm
Socket, 8mm	Socket, 11mm
Reciprocating saw	Large vise grip
Utility knife	Nut driver, 9/16"
Wrench, 7/16"	Wrench, 9/16"
Fishwire, 3/8" (includes four)	Fishwire, 5/8" (includes two)

⚠ WARNING

Never exceed the vehicle manufacturer's recommended gross vehicle weight rating (GVWR).

Product Photo



Not pictured: Safety cables, quick links and socket plugs

⚠ CAUTION

Take care when cutting any plastic or metal as injury may occur if done improperly.

NOTICE

Visit www.curtmfg.com for a full-color copy of this instruction manual, as well as helpful videos, guides and much more!

Before you begin installation, read all instructions thoroughly.

Proper tools will improve the quality of installation and reduce the time required.

This installation requires front fascia panels and the windshield washer reservoir to be temporarily removed and reinstalled. Some drilling and trimming are required.

To help prevent damage to the product or vehicle, refer to the specified torque specifications when securing hardware during the installation process.

If equipped, we recommend removing the base plate attachment tabs when not in use.

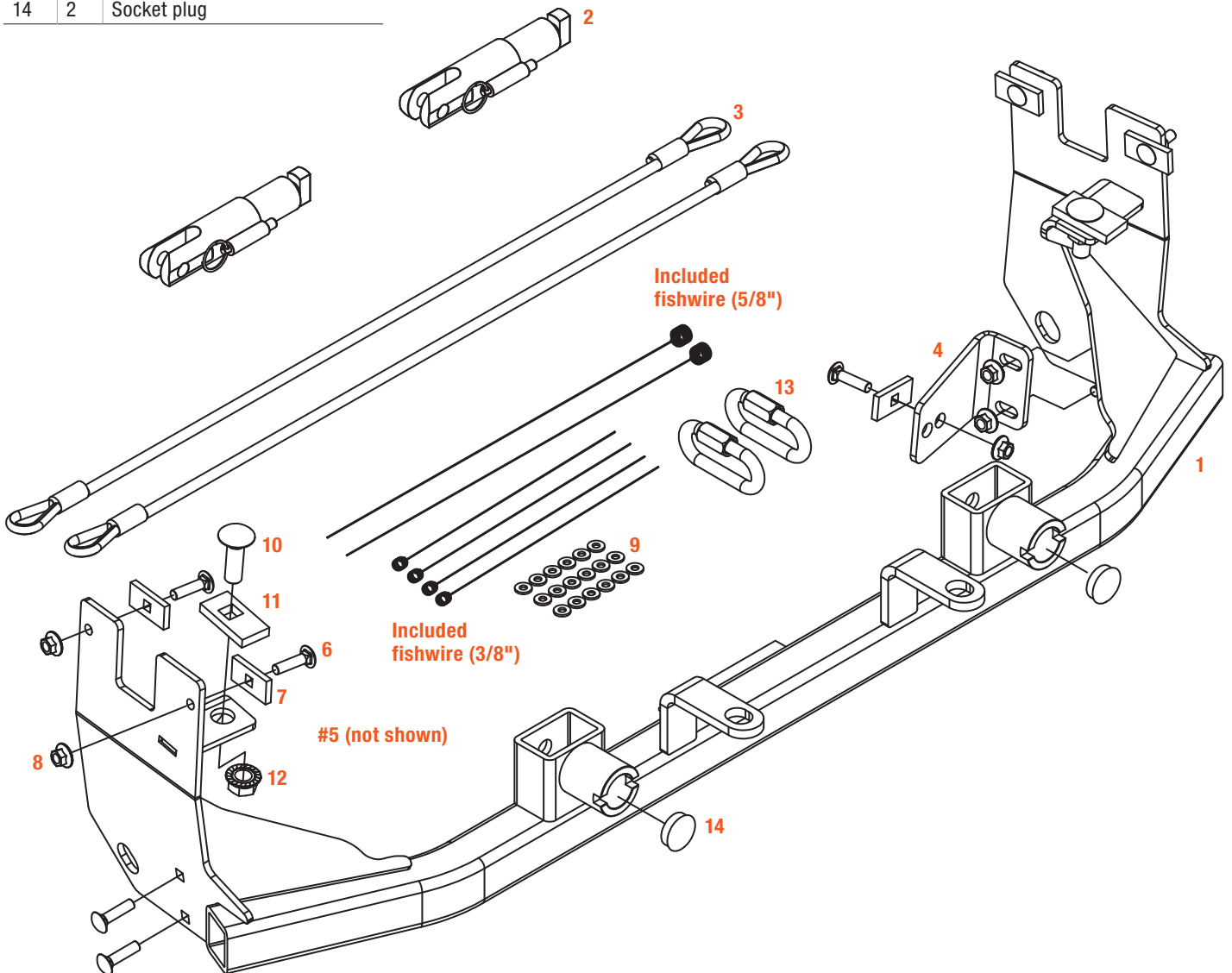
SAFETY INSTRUCTIONS

Safety glasses should be worn at all times while installing this product.

ASSEMBLY

Parts List

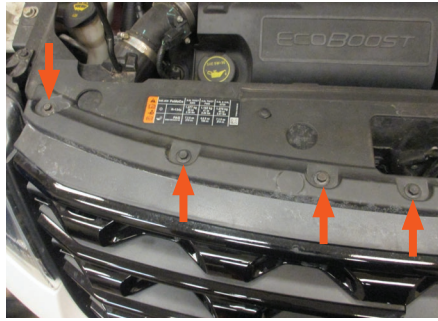
Item	Qty	Description
1	1	Tow bar base plate
2	2	Tow bar mounting tab
3	2	Safety cable, 7,500 lbs.
4	1	Mounting tab, driver side
5	1	Mounting tab, passenger side
6	10	Carriage bolt, 3/8"-16 x 1-1/2", grade 8
7	4	Square hole spacer, 1/4" x 1" x 2"
8	10	Flange nut, 3/8", grade 8
9	18	Flat washer, 1/4"
10	2	Carriage bolt, 5/8"-11 x 2", grade 8
11	2	Square hole spacer, 3/8" x 1-1/4" x 2-1/2"
12	2	Flange nut, 5/8", grade 8
13	2	Quick link, 1/2"
14	2	Socket plug



BUMPER & FASCIA REMOVAL

Step 1

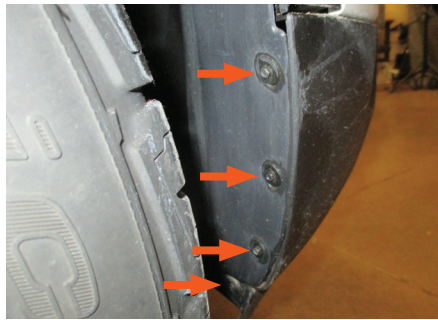
Open the hood and use a 10mm socket to remove the seven screws in the top fascia cover, three on the driver side and four on the passenger side.



Step 2

Use a 5.5mm socket to remove the seven screws along the inside edge of the wheel well liner. Also, remove the push pin in the top of the liner.

Repeat on the other side of the vehicle.



Step 3

Use an 8mm socket to remove the seven screws in the underbody fascia panel, two in either side and three along the front edge.



Step 4

Pull back the wheel well liner and use a 10mm socket to remove the three screws in the fascia joint.

Repeat on the other side of the vehicle.



Step 5

Remove the bumper fascia by pulling up and out at the edges, near the wheel wells. Make sure to disconnect any electrical harnesses and fluid lines. Then, remove the bumper fascia entirely and set it aside.



Step 6

Use an 11mm socket to remove the two nuts in the windshield washer reservoir. Then, use an 8mm socket to remove the screw. Disconnect all fluid lines from the reservoir and set it aside.

Note: Be sure to have a clean container ready to catch the washer fluid when the lines are disconnected. Set the fluid aside to refill after the installation.



Step 7

Mark the plastic air foil flap under the radiator shutters, if equipped, to be trimmed. Then, use a utility knife or aviator shears to cut off the marked area.

Step 8

Mark the areas in the fascia of the inner bumper cover as shown. Then, use a utility knife or aviator shears to trim out the marked areas.



Step 9

Mark areas on the bottom two shutters, 4" from the outer edge and about 1/2" deep.

Then, use a metal-cutting tool to cut off the marked area, being careful not to cut the radiator.

Repeat on the other side.

Step 10

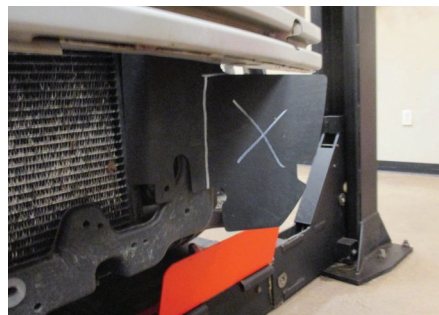
Mark the lower ribbed area on the shutter frame to be trimmed so it is flush with the plastic shielding.

Then, use a metal-cutting tool to cut off the marked area. Also trim the center rib portion of the plastic, trimming off about 1-1/2" from the bottom shutter frame so it is flush with the shielding.

Step 11

Remove the plastic flanges on either side of the shutters and trim off the marked areas matching the motor profile on the driver side.

Be sure not to damage the motor on the driver side while cutting.

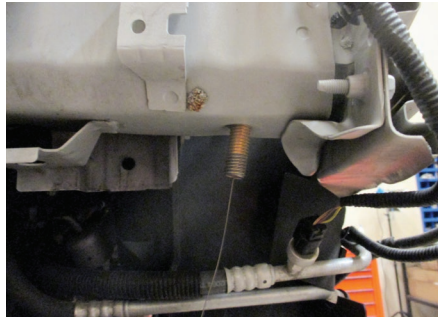


TOW BAR BASE PLATE INSTALLATION

Step 12

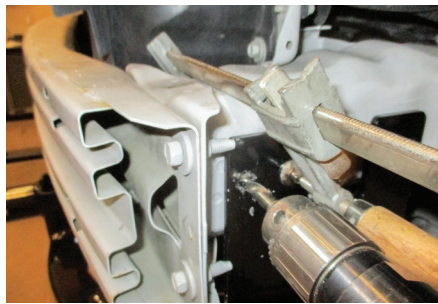
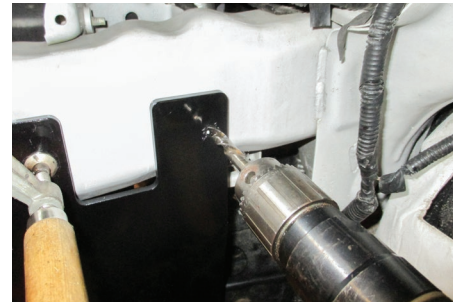
Position the tow bar base plate (#1) on the vehicle frame and clamp it into place. Then, fishwire a 5/8" carriage bolt (#10) and 3/8" square hole spacer (#11) into the bottom hole, underneath the frame. Secure with a 5/8" flange nut (#12) and tighten.

Repeat on the other side of the vehicle. Make sure the base plate is level, and then snug the hardware but do not fully tighten.



Step 13

Using the top two holes in the side plate as a guide, drill 3/8" holes in the vehicle frame.

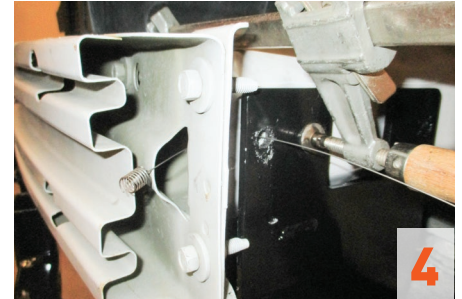


Step 14

Fishwire the 3/8" carriage bolts (#6) and square hole spacers (#7) into the frame and insert the rest of the 3/8" carriage bolts into the rectangular base plate holes, securing the mounting tabs (#4), as shown.

Repeat on the other side of the vehicle and install all 3/8" flange nuts (#8).

Then, making sure the base plate is level, torque the hardware to 37 lb-ft.



Step 15

Install the permanent safety cables (#3) and quick links (#13), looping them around the vehicle frame and linking them to the tow bar base plate (#1). There must be one cable on each side of the vehicle.

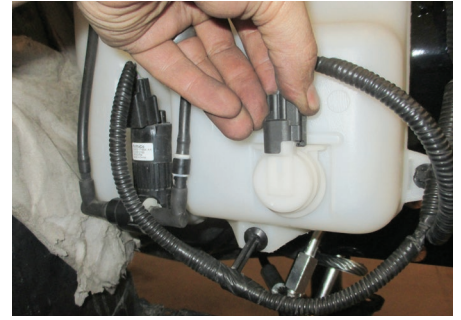
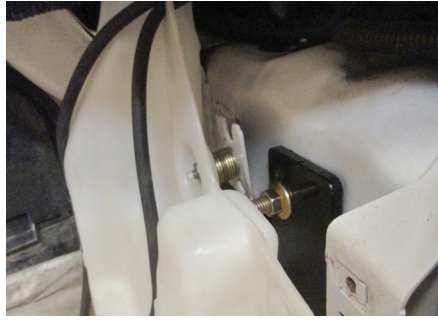
Make sure the cables do not pinch or interfere with any hoses, wiring or other components.

See 'Installing the Permanent Base Plate Safety Cables' for additional information.



Step 16

Place nine 1/4" flat washers (#9) onto each of the two windshield washer reservoir studs. Then, reinstall the reservoir and secure it with the factory nuts. One bolt will not be reused.



Step 17

Use a utility knife to trim off the outer alignment tabs of the lower bumper fascia panel on the back side of the fascia – one tab on either side of the vehicle.



Step 18

Hold up the front fascia in its original position and mark where it will need to be trimmed to make space for the safety cable loops and attachment tabs. Trim out the marked areas.

Then, reinstall the bumper fascia. Reinstall any other panels, wiring harnesses or other components previously removed during the install.

When ready to tow, install the tow bar mounting tabs (#2). When not towing, insert the socket plugs (#14) into the ends of the tow bar base plate (#1).



Final Installed Image



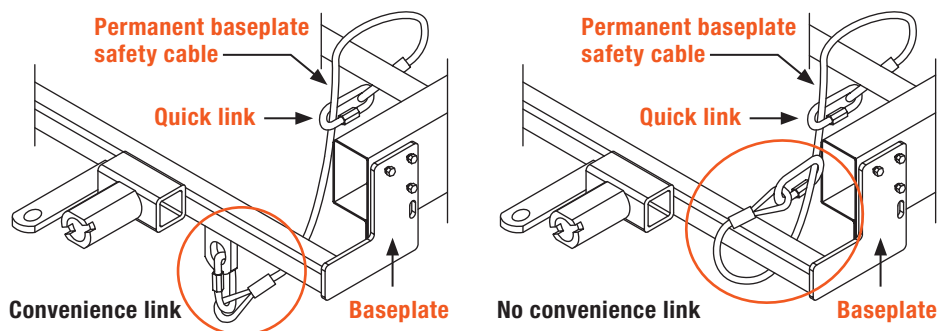
SAFETY CABLE INSTALLATION

Installing the Permanent Base Plate Safety Cables

When dinghy towing a vehicle with a tow bar, base plate safety cables should be used at all times. In the event of a disconnect, the safety cables are designed to help prevent complete vehicle separation. When installing the safety cables, use the illustrations below as a guide.

Installation guidelines

1. The cables must be connected to the base plate and the vehicle frame.
2. Two cables must be installed.
3. Each cable must meet or exceed the gross weight of the towed vehicle.
4. Make sure cables do not pinch or interfere with hoses, wiring or other components.



Note: Base plate safety cables are not a replacement for safety chains connecting the tow vehicle to the towed vehicle.

ADDITIONAL INFORMATION

Towing Tips

Check your equipment

Periodically check the condition of all towing equipment. Ensure all fasteners are tight and that all structural components are sound. Do not tow with worn or damaged parts.

Vehicle manufacturer's recommendations

Review the owner's manual for your towed vehicle and towing vehicle for specific recommendations, capacities and requirements.