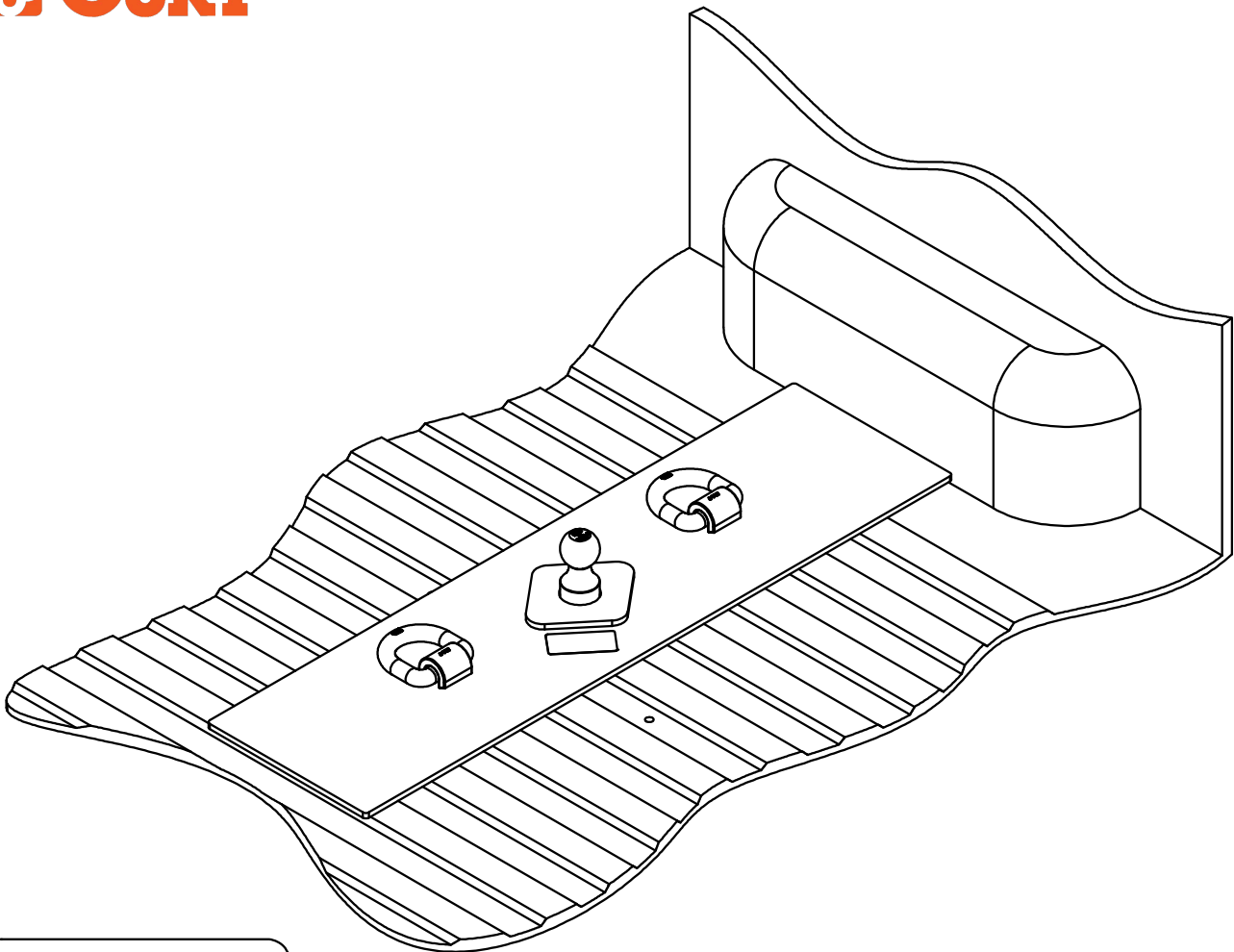


65500

GOOSENECK FLAT PLATE

GROSS LOAD CAPACITY WHEN USED AS A WEIGHT CARRYING HITCH: 30,000 LBS. TRAILER WEIGHT & 6,000 LBS. TONGUE WEIGHT.
DO NOT EXCEED VEHICLE MANUFACTURER'S RECOMMENDED TOWING CAPACITY.



HITCH WEIGHT: 71.2 LBS.

INSTALL TIME: 60 MINUTES

INSTALL NOTES:

DRILLING REQUIRED

INSTALLATION STEPS

- 1) The hitch must be centered between the sides of the truck and about 2"-6" in front of the rear axle for proper weight distribution.
- 2) (6) 5/8" grade 5 bolts torqued to 210 ft-lbs are recommended to fasten plate to truck frame.

NOTE: - Shims should be used to accommodate corrugation in pickup bed.

- When exceeding 20,000 gross trailer weight, a bed floor support should be fabricated and installed to prevent the bed floor from collapsing.
- Hardware not included.
- Mounting holes must be drilled by installer.

PERIODICALLY CHECK THIS RECEIVER HITCH TO ENSURE THAT ALL FASTENERS ARE TIGHT AND THAT ALL STRUCTURAL COMPONENTS ARE SOUND.