

INSTALLATION MANUAL

19750

Level of Difficulty

Moderate

Installation difficulty levels are based on time and effort involved and may vary depending on the installer level of expertise, condition of the vehicle and proper tools and equipment.

Weight Carrying Capacity

Gross vehicle weight rating | 5,000 lbs.

Parts List

Item	Qty	Description
1	2	Front tube
2	4	Nut, 1/2"
3	2	Clevis mount
4	4	Hex bolt, 1/2"-13 x 1-3/4"
5	2	Hex bolt, 1/2" -13 x 3-1/2"
6	4	Flat washer, 1/2"
7	2	Bolt plate weldment
8	2	Leg adapter weldment
9	1	Coupler assembly
10	2	Safety pin, 1/2"
11	2	Top lock flange nut, 1/2"-13
12	4	Center lock hex nut, 3/8"-16
13	2	Tow bar arms
14	8	Flat washer, 3/8"
15	4	Serrated washer
16	4	Hex bolt, 3/8"-16
17	4	Nylock nut, 3/8"-16

Tools Required

Ratchet	Torque wrench
Socket, 9/16"	Socket, 3/4"
Open end wrench, 9/16"	Open end wrench, 3/4"

⚠ WARNING

Never exceed the vehicle manufacturer's recommended gross vehicle weight rating (GVWR).

Follow your vehicle's owner's manual for all flat towing steps and limitations.

When operating the tow bar ensure you are in a safe position from vehicle movement and pinch points.

Verify adequate clearances between both vehicles and your towing system in all maneuvering situations.

Always use safety cables when towing. Ensure the safety cables are long enough to allow for turns without becoming entangled with the tow bar or latch handles. Safety or electrical cables becoming entangled with the latch handles could cause one or more arms to collapse, resulting in major damage, injury or death.

Damage may occur if cables come in contact with the ground, tow bar arms or the latch handles. Never wrap cables around tow bar arms. Inspect safety cables prior to towing. Never use damaged safety cables.

Ensure that your towing vehicle is of adequate size to properly control your towed vehicle. Vehicle performance (braking, handling, acceleration, turning radius) can be drastically affected by the towed vehicle. Allow for additional time and space for stopping, changing lanes, passing and turning.

Be sure towing and towed vehicles are aligned with proper tire air pressure. Low air pressure and misaligned vehicles may cause excessive wear, poor vehicle tracking and extra stress on your towing system.

Never back up while flat towing a vehicle. Damage to both vehicles and towing system may occur.

Inspect the tow bar and towing system prior to every use. Check for cracked welds, loose, worn or damaged parts. Do not tow with a damaged or worn tow bar or towing system.

Severe bumps can damage your towing system. Avoid rough terrain and sharp turns. Always tow at reduced speeds, never exceed 50 miles per hour.

Never use towed vehicle for storage, this may cause you to exceed the capacity of the tow bar or your towing system.

The steering wheel of the towed vehicle must be unlocked to allow vehicle to track freely while towing. Failure to do so may result in loss of control, property damage, personal injury or death.

Product Photo



NOTICE

Before you begin installation, read all instructions thoroughly.

Proper tools will improve the quality of installation and reduce the time required.

Ensure towed vehicles tail lights, turn signals, and brake lights are operational and trailer connections secure before towing

Before towing, ensure the towed vehicle is properly equipped for flat towing by following the manufacturer's recommendations and requirements. This includes proper transmission settings and releasing the emergency brake.

Periodic inspection of your product should be performed to ensure all hardware and / or components remain secure.

To help prevent damage to the product or vehicle, refer to the specified torque specifications when securing hardware during the installation process.

ASSEMBLY

Parts List

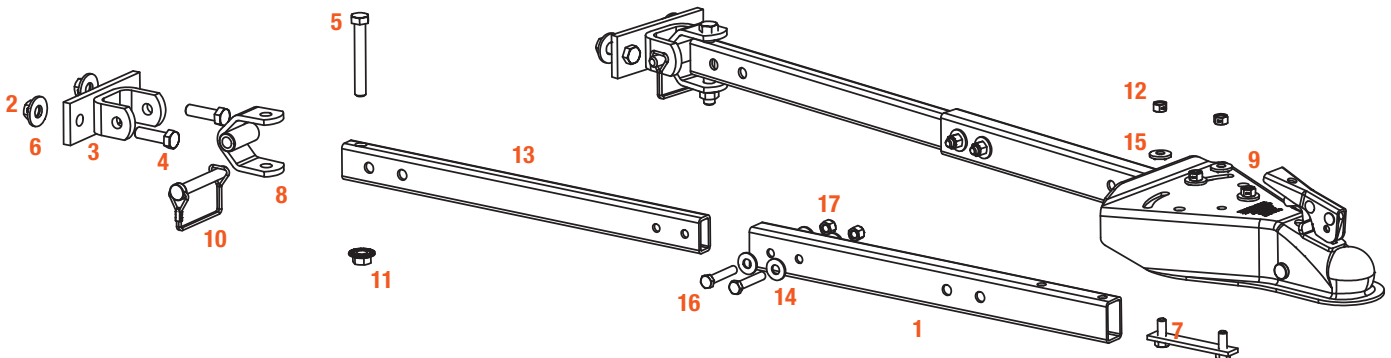
Item	Qty	Description
1	2	Front tube
2	4	Center lock hex nut, 1/2"-13
3	2	Clevis mount
4	4	Hex bolt, 1/2"-13 x 1-3/4"
5	2	Hex bolt, 1/2" -13 x 3-1/2"
6	4	Flat washer, 1/2"

Parts List

Item	Qty	Description
7	2	Bolt plate weldment
8	2	Leg adapter weldment
9	1	Coupler assembly
10	2	Safety pin, 1/2"
11	2	Top lock flange nut, 1/2"-13
12	4	Center lock hex nut, 3/8"-16

Parts List

Item	Qty	Description
13	2	Tow bar arm
14	8	Flat washer, 3/8"
15	4	Serrated washer, 3/8"
16	4	Hex bolt, 3/8"-16
17	4	Nylock nut, 3/8"-16



CLEVIS MOUNT INSTALLATION

Notes

Installer / owner is responsible for locating rigid mounting points to attach clevis mounts. A structure may need to be fabricated to allow the tow bar to be attached to the frame of the towed vehicle.

It is recommended that clevis mounts be secured to a flat, nearly vertical area of the bumper.

Clevis mounts should be spaced equally from center line of vehicle. Recommended clevis mount spacing is 26" to 41", with 33" preferred.

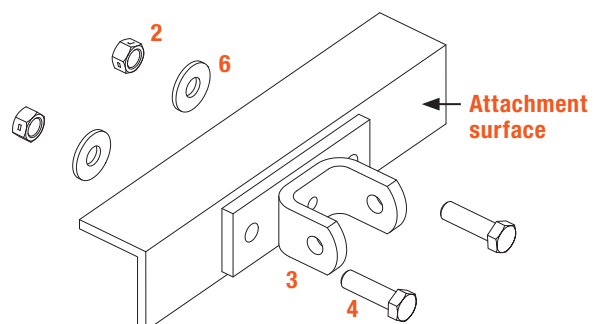
Step 1

Mark both centers of the clevis mounts (#3) on the attachment surface at the desired width.

Using the clevis mount as a template, drill two 1/2" holes into the attachment surface, both sides.

Step 2

Secure the clevis mount to the attachment surface with 1/2"-13 x 1-3/4" hex bolts (#4), 1/2" flat washers (#6) and 1/2"-13 center lock hex nuts (#2). Torque all 1/2" fasteners to 75 ft-lbs.



HOOK-UP INSTALLATION

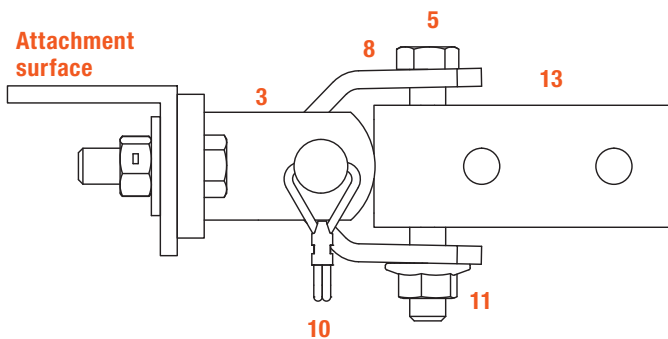
Step 1

Secure the leg adapter weldments (#8) to tow bar arms (#13) with 1/2"-13 x 3-1/2" hex bolts (#5) and 1/2"-13 top lock flange nuts (#11). Tighten the 1/2" hardware until contact is made with both sides of the tow bar arms.

NOTICE

Tow bar arms (#13) must swing freely; back off hardware slightly if necessary.

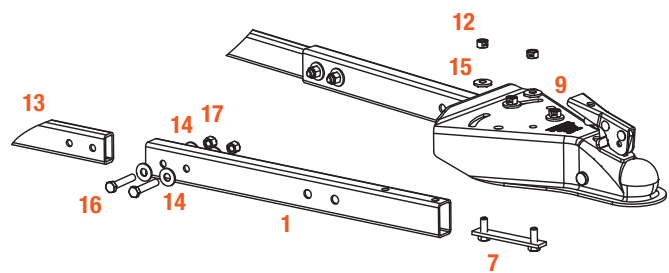
Attach the tow bar assemblies to the previously installed clevis mounts (#3) using the 1/2" safety pin (#10)



Step 2

Attach tow bar arms (#13) to the front tubes (#1) using 3/8"-16 hex bolts (#16), 3/8" flat washers (#14), and 3/8"-16 nylock nuts (#17).

Loosely secure the coupler assembly (#9) to the front tubes (#1) using the bolt plate weldments (#7), 3/8" serrated washers (#15) and 3/8"-16 center lock hex nuts (#12).



Step 3

Center the coupler assembly with the towed vehicle and torque the 3/8" fasteners to 31 ft-lbs.

Step 4

Attach the tow bar coupler to the 2" ball of the towing vehicle.

NOTICE

Ensure that the tow bar coupler is straight and that the height difference between the ball and the clevis mount does not exceed 6". Adjust ball height to make the tow bar level.

Before Every Towing Use

Adjust the coupler to fit the trailer ball by turning the nut under the coupler. The coupler latch needs to engage the coupler and the coupler must not be loose on the trailer ball. Always ensure there is no free play between the coupler and hitch ball before towing.

The coupler latch must be secured with a safety pin or a coupler lock (sold separately).

Attach two safety chains between the vehicles (sold separately). Individual safety chains must have a break strength equal to or exceeding the gross weight of the towed vehicle. Use of safety chain is required.

Connect the appropriate wiring for stop, turn, tail and marker lights (sold separately).

Check for proper clearance between vehicles in a turning situation.

Unlock the steering wheel for towing to allow the front wheels of the towed vehicle to 'track'.

Set transmission for towing according to the owner's manual. Verify recreational towing procedures in the vehicle owner's manual. Use only vehicles equipped with manual transmissions or with automatic transmissions with pumps that allow towing or drive shaft disconnects. Manual transmissions must be in neutral.

Coupler adjustment nut

