

INSTALLATION MANUAL

19269

Level of Difficulty

Moderate

Installation difficulty levels are based on time and effort involved and may vary depending on the installer level of expertise, condition of the vehicle and proper tools and equipment.

Parts List

Item	Qty	Description
1	1	Wear plate, left side
2	1	Wear plate, right side
3	14	Pan head Philips machine screw, M4
4	14	Lock washer, M4

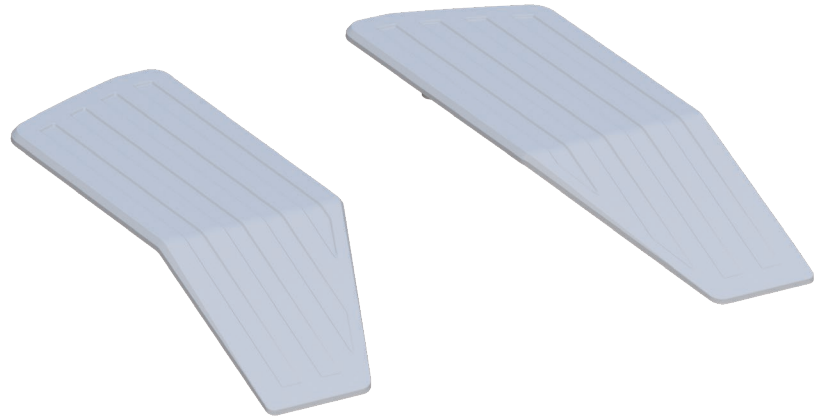
Tools Required

Philips screwdriver	--
---------------------	----

⚠ WARNING

Never exceed the vehicle manufacturer's recommended towing capacity.

Product Photo



NOTICE

Before you begin installation, read all instructions thoroughly.

Proper tools will improve the quality of installation and reduce the time required.

Periodic inspection of your product should be performed to ensure all hardware and / or components remain secure.

To help prevent damage to the product or vehicle, refer to the specified torque specifications when securing hardware during the installation process.

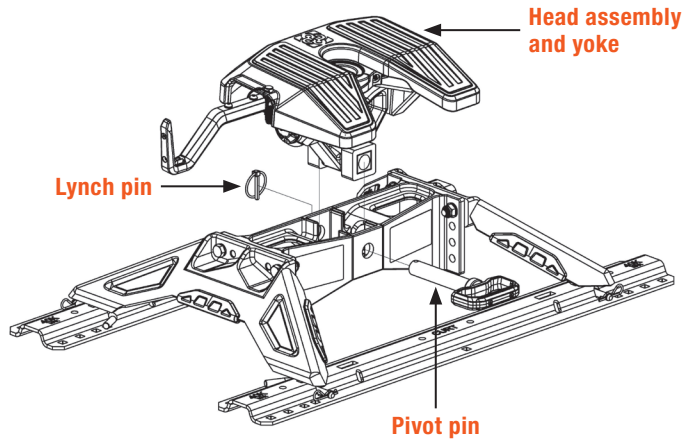
ASSEMBLY

Step 1 - Head Removal

The head assembly can easily be removed from the main body to aid installation of the wear plates. We recommended the head be separated from the main body.

Remove the center lynch pin (#2) and large pivot pin (#3).

Lift and remove the head assembly and yoke (#1).



Step 2 - Wear Plate Attachment

Remove the original M4 screws (#3) and lockwashers (#4) along with the left and right wear plates (#1 and #2). Discard the original hardware and wear plates.

With the jaws open, install the replacement left and right wear plates (#1 and #2) using the new M4 screws (#3) and lock washers (#4). Torque screws to 8 - 10 in-lbs. being careful to not overtighten.

