

INSTALLATION MANUAL

18411

Level of Difficulty

Easy

Installation difficulty levels are based on time and effort involved and may vary depending on the installer level of expertise, condition of the vehicle and proper tools and equipment.

Weight Carrying Capacity

1 bike	45 lbs.
2 bikes	90 lbs.
3 bikes	135 lbs.
4 bikes	180 lbs.

Parts List

Item	Qty	Description
1	1	ActiveLink™ bike rack
2	1	ActiveLink™ shank assembly
3	1	Anti-rattle bolt, 1/2"-13
4	1	Flat washer, 1/2"
5	1	Lock washer, 1/2"
6	1	Hair pin clip
7	1	Anti-rattle handwheel
8	8	Hook and loop strap

Tools Required

Torque wrench	Socket, 3/4"
---------------	--------------

Product Registration and Warranty

CURT stands behind our products with industry-leading warranties. To get copies of the product warranties, register your purchase or provide feedback, visit: warranty.curtgroup.com/surveys

⚠ WARNING

Never exceed the vehicle manufacturer's recommended towing capacity.

Never exceed the product's weight capacity.

Do not modify or use this accessory for purposes other than for which it was designed.

It is the user's responsibility to adhere to all state and federal laws regarding obstruction of vehicle lighting (i.e. brake lights, taillights, turn signals and backup lights) and license plate when using this accessory.

A support strap is required when the rack is used with an 1-1/4" receiver hitch. Failure to use a support strap could result in injury and / or property damage and will void the warranty of the bike rack and trailer hitch.

Product Photo



⚠ CAUTION

This product is not designed for off-road use.

Do not install this product on a trailer or towed vehicle.

When transporting heavier bikes such as e-bikes and tilting the rack for rear vehicle access is necessary, a team lift may be required to prevent injury and / or product damage.

Always be mindful of accessories extending beyond vehicle when operating.

NOTICE

Visit www.curtmfg.com for a full-color copy of this instruction manual, as well as helpful videos, guides and much more!

Before you begin installation, read all instructions thoroughly.

Proper tools will improve the quality of installation and reduce the time required.

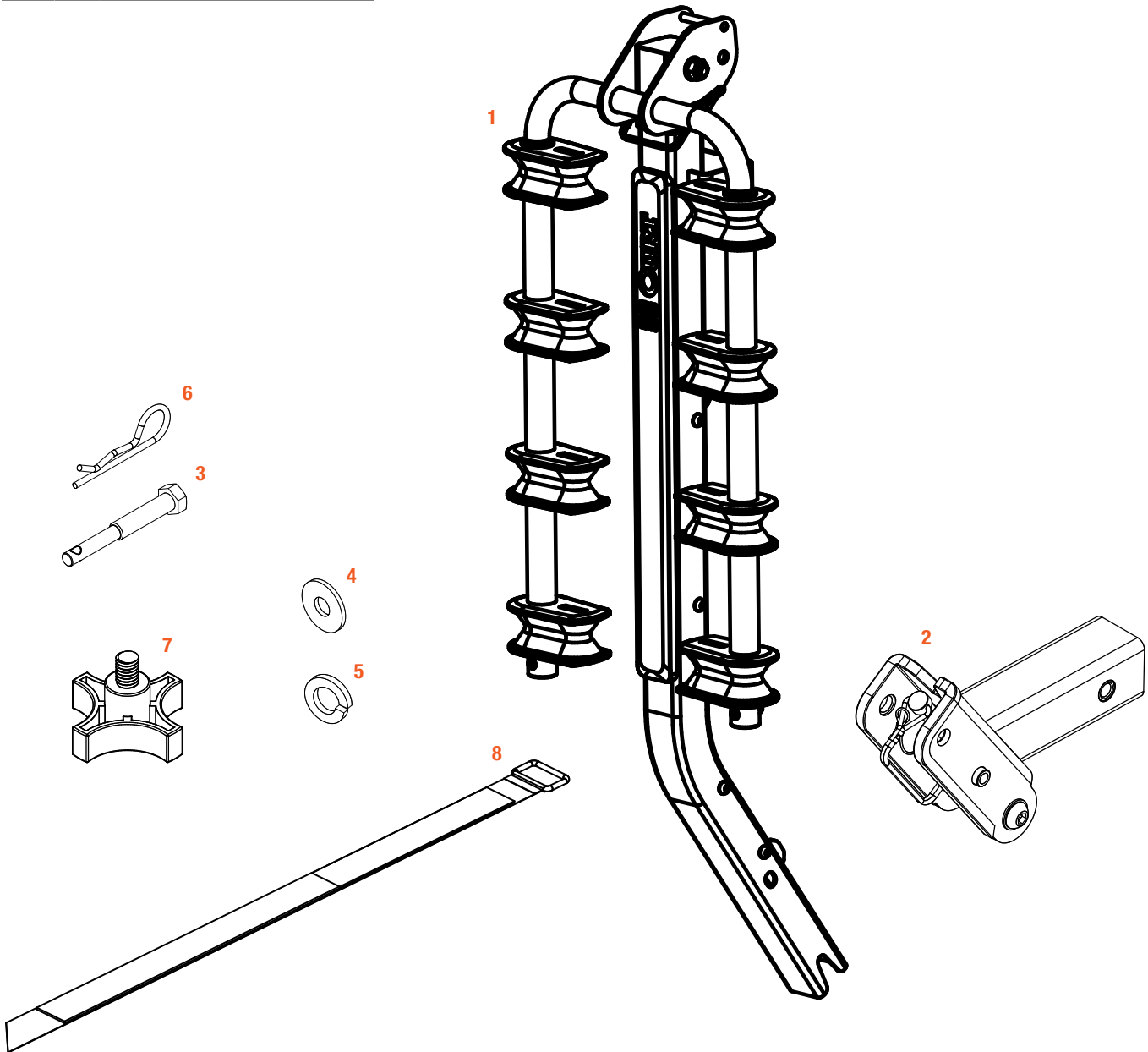
Remove this accessory before entering automatic car washes.

Periodic inspection of your product should be performed to ensure all hardware and / or components remain secure.

ASSEMBLY

Parts List

Item	Qty	Description
1	1	ActiveLink bike rack
2	1	ActiveLink shank assembly
3	1	Anti-rattle bolt, 1/2"-13
4	1	Flat washer, 1/2"
5	1	Lock washer, 1/2"
6	1	Hair pin clip
7	1	Anti-rattle handwheel
8	8	Hook and loop strap

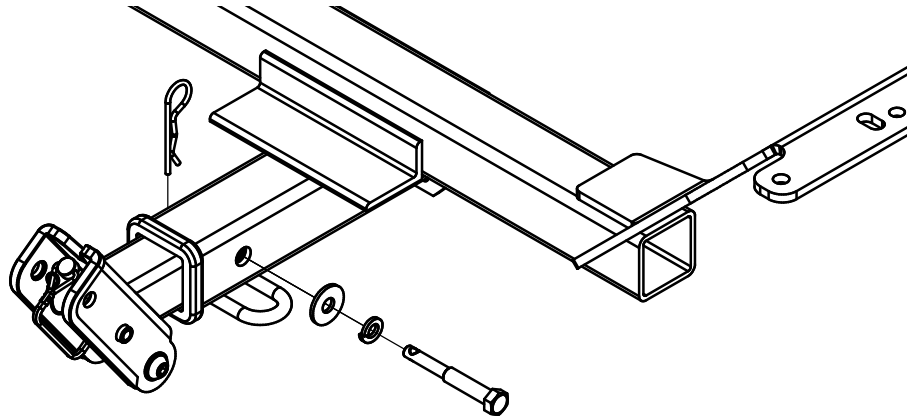


Step 1

Insert the ActiveLink shank (#2) into the vehicle receiver tube. Secure with anti-rattle bolt (#3), flat washer (#4) and lock washer (#5).

Tighten bolt firmly until no movement of the shank is noticed, not to exceed 64 ft-lbs. Do not over-tighten.

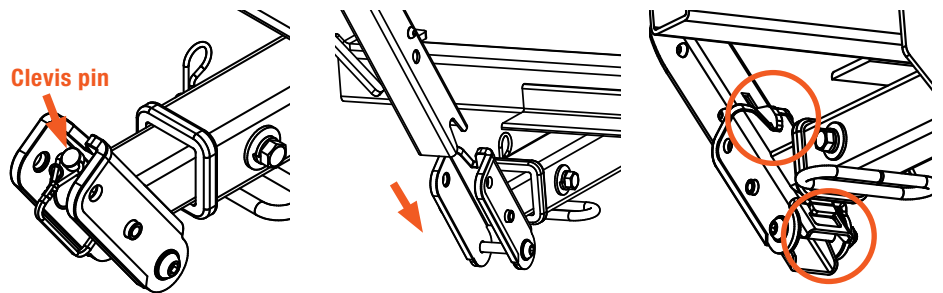
Install hair pin clip (#6).



Step 2

Remove the clevis pin from the ActiveLink shank's channel (#2).

Insert the ActiveLink rack assembly (#1) into the ActiveLink shank (#2), resting the tube's notch on the bolt and sliding the latch into the shank's notch as shown.



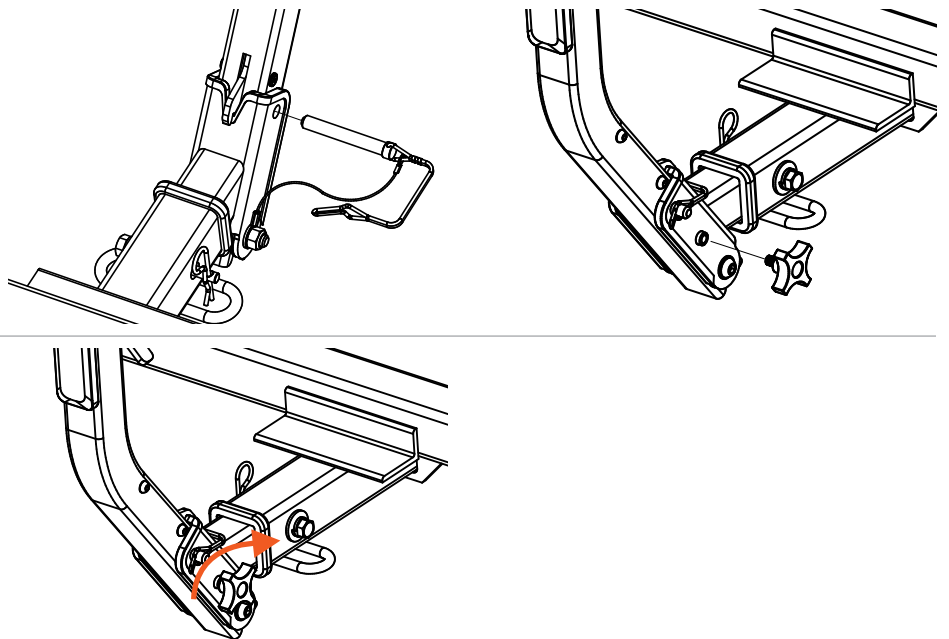
Step 3

Insert the clevis pin into the ActiveLink shank (#2), snapping the wire loop onto the pin.

Thread the anti-rattle hand wheel (#7) into the ActiveLink shank and tighten until no movement of the rack's support tube is noticed.

NOTICE

Over-tightening the hand wheel may damage the shank's insert.

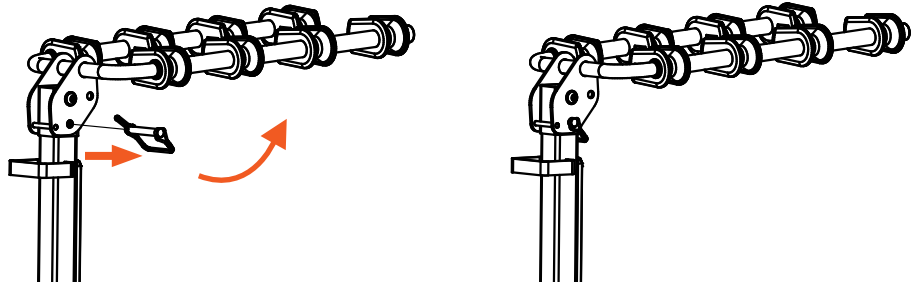


Step 4

Remove the clevis pin from the ActiveLink rack assembly (#1).

Rotate the rack's arm assembly upward, aligning the holes in the plate with those in the square tube as shown.

Re-insert the clevis pin.

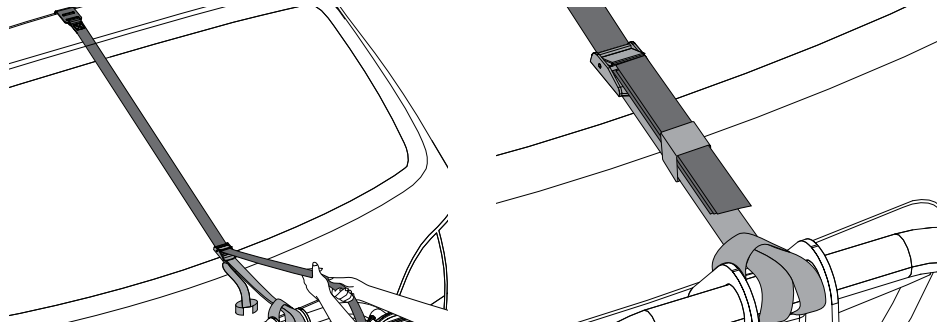


Step 5

If the ActiveLink rack is used with an 1-1/4" receiver, a support strap is required to be used as shown (sold separately).

⚠ WARNING

Failure to use a support strap with 1-1/4" receivers could result in injury and / or product damage.



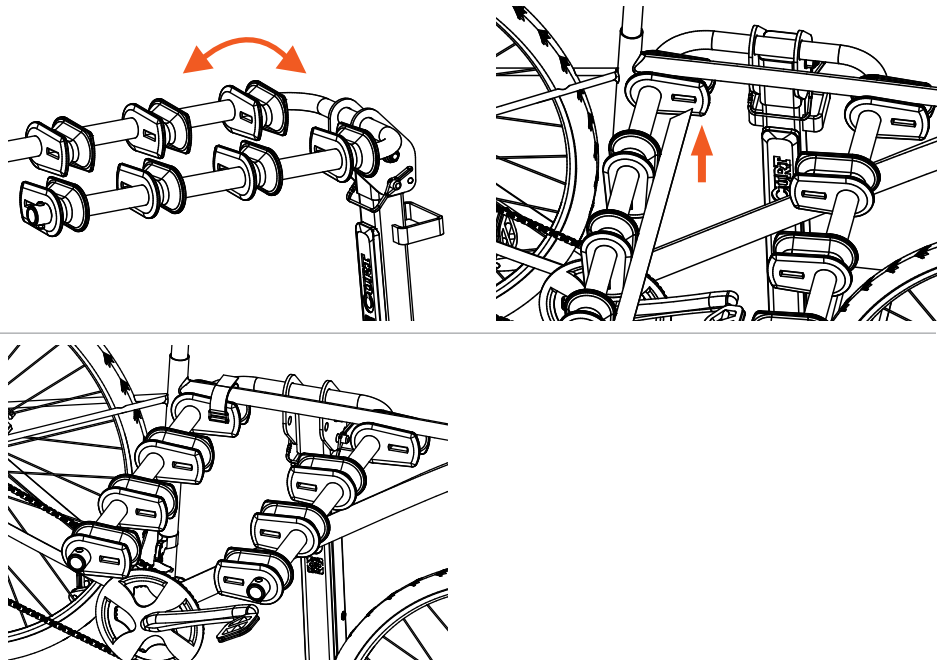
Step 6

Adjust the frame cradles to desired positions.

Position bike frame onto cradles.

Pass the hook and loop strap (#8) through the opening in each cradle. Pass the strap over the bike frame, through the strap's ring and secure.

Repeat for additional bike(s) if desired.



Step 7

To tilt the rack for rear vehicle access, first undo the support strap (if used) from step 5.

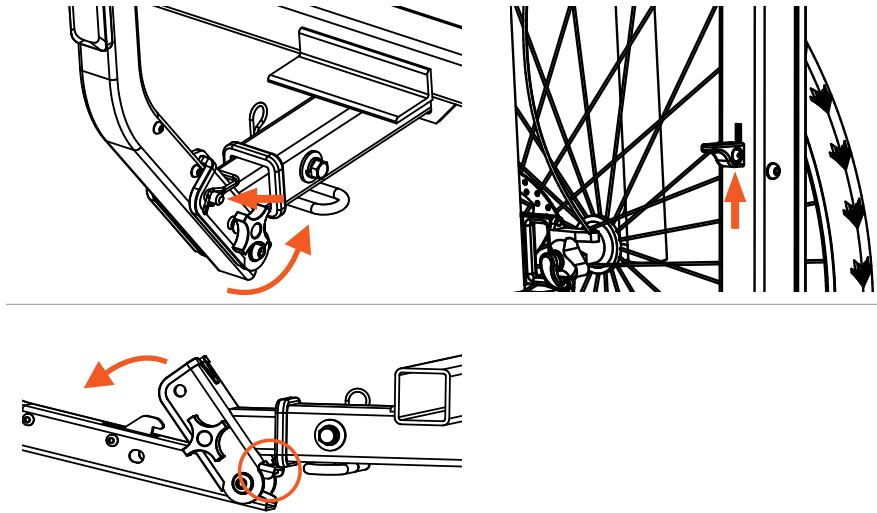
Loosen the anti-rattle hand wheel (#7) and remove the clevis pin from the shank.

While supporting the rack, push upward on the latch release lever and allow the rack to rotate downward.

A tab on the underside of the ActiveLink shank (#2) will engage with the bike rack's tube to prevent disconnection.

⚠ WARNING

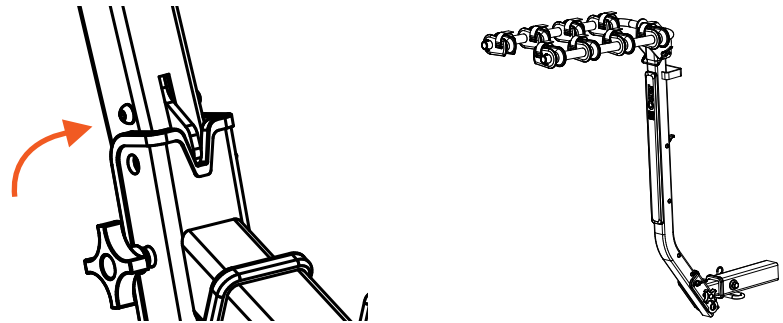
Do not transport the bike rack in the tilted position.



Step 8

To return to the upright position, rotate the rack upward until the latch snaps over the ActiveLink shank's (#2) slot.

Re-install the clevis pin, tighten the hand wheel and re-install the support strap if previously installed.



Step 9

The ActiveLink rack's arm assembly can be folded for transport or storage.

Convenient handle can be used for tilting, carrying and storage as well as a cable lock secure point.

