

INSTALLATION MANUAL

18325

Level of Difficulty

Easy

Installation difficulty levels are based on time and effort involved and may vary depending on the installer level of expertise, condition of the vehicle and proper tools and equipment.

Parts List

Item	Qty	Description
1	1	Side gate, driver side
2	1	Side gate, passenger side
3	1	End gate
4	1	Adjustable latch pin, driver side
5	1	Adjustable latch pin, passenger side
6	1	Locating tab, driver side
7	1	Locating tab, passenger side
8	8	Carriage bolt, M6
9	8	Nylock nut, M6
10	8	Fender washer, M6

Tools Required

Ratchet	Socket, 10mm
---------	--------------

Torque Specifications

M6 bolt	5 ft-lbs.
---------	-----------

Use above torque setting unless otherwise noted

Product Photo



NOTICE

Bed extender should not be used as a tie-down point.

Bed extender should not be used as a step.

Before you begin installation, read all instructions thoroughly.

Proper tools will improve the quality of installation and reduce the time required.

Periodic inspection of your product should be performed to ensure all hardware and / or components remain secure.

To help prevent damage to the product or vehicle, refer to the specified torque specifications when securing hardware during the installation process.

Maintenance

Mild automotive detergent may be used to clean the product. Do not use dish detergent, abrasive cleaners, abrasive pads, wire brushes or other similar products that may damage the finish.

Step 1

Depending on vehicle application the side gates (#1, #2) will mount on either the driver or passenger side. Compare the size and style of your tailgate latching post and refer to diagrams to determine which side to mount the side gates.

Slide the cutout on the end of the side gate over the tailgate latching post and lower the side gate down.

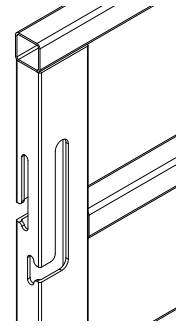
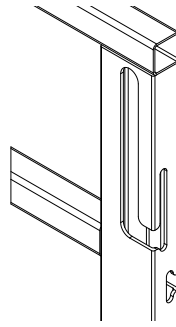
Large slot to be used for vehicles with a 5/8" tailgate pin

Common applications:

- Ford
- Dodge
- Ram
- Nissan

Smaller slot on rear face is used for Toyota

Note: Some model years & applications will vary

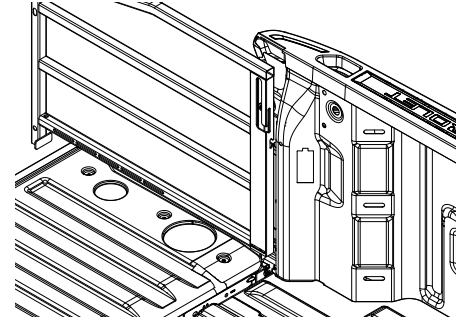
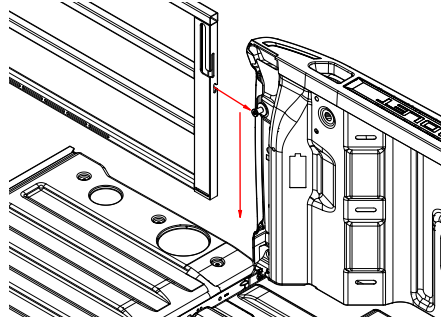


Small slot to be used for vehicles with a 1/2" tailgate pin

Common applications:

- Chevrolet
- GMC

Note: Some model years & applications will vary



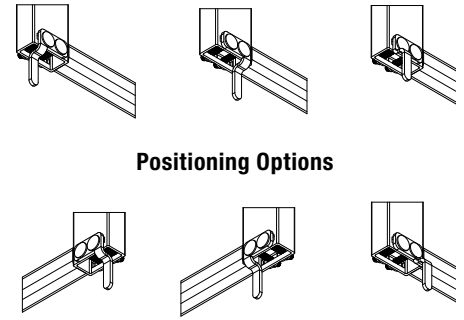
Step 2

Find the two locating tabs (#6, #7) and mounting locations at the bottom of the side gate. These tabs can be mounted in multiple ways in order to fit a variety of vehicles. Determine which locating tab and orientation works best for your vehicle.

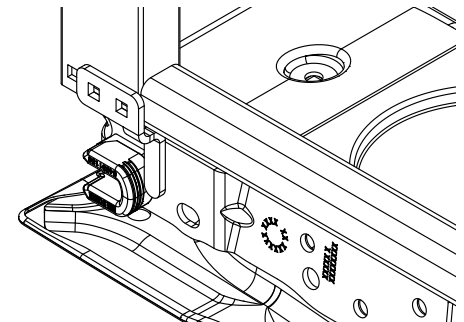
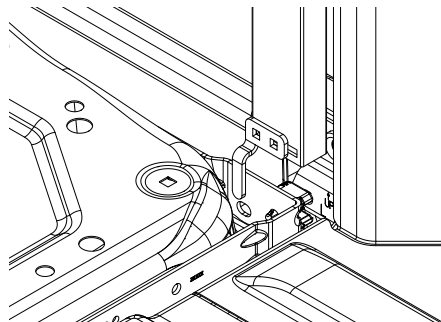
Note: Once the orientation has been determined it may be easier to install the locating tab with the side gate removed from the vehicle.

The locating tab should be mounted so it is inserted into the triangular pocket found on most tailgates. You will need to adjust it to have as little side-to-side play as possible.

If your tailgate does not have a pocket to install the tab, mount the tab so that it is flush against the side of the tailgate. Secure the tab to the side gate using two M6 carriage bolts (#8), fender washers (#10) and nylock nuts (#9).



Positioning Options

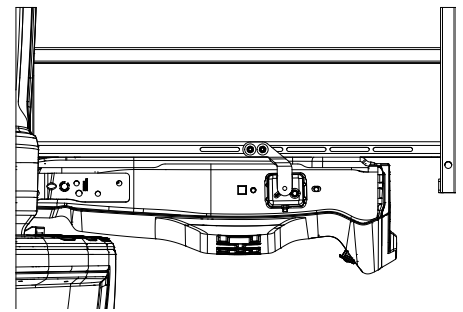
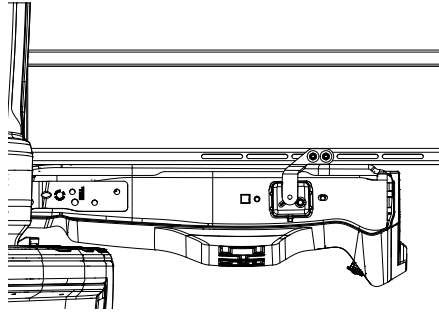


Step 3

Locate the two adjustable latch pins (#4, #5). These pins can be mounted on either the driver or passenger side depending on your vehicle.

Determine which location is best for your vehicle and insert the latch pin into the tailgate latch. Press the pin down until it latches into the tailgate. Secure the latch pin to the side gate using two M6 carriage bolts (#8), fender washers (#10) and nylock nuts (#9).

Note: On subsequent installations, ensure the tailgate latches fully lock when the side gates are installed. If they do not, loosen the latch pin and rotate it down just enough so the tailgate fully latches.

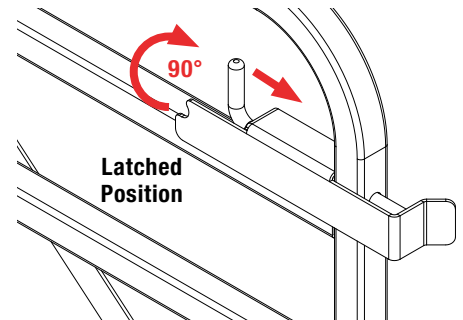
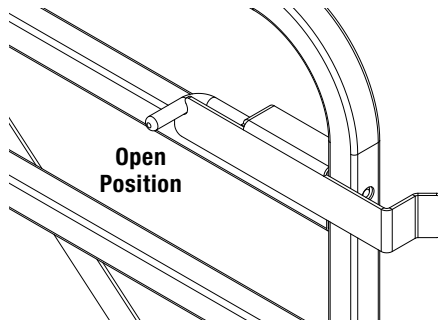
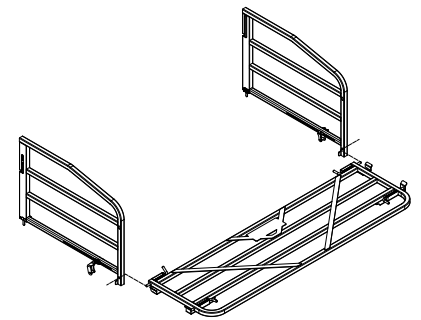


Step 4

Secure the end gate (#3) to the side gates (#1, #2) by first inserting one pin into either the driver- or passenger-side gate. Retract the opposite pin, align it to the hole in the side gate, and release the pin.

Place the top pins into the open position. Rotate the gate to the closed position and release the top pins.

Note: The pins are pre-installed in the gate.



Step 5

With the truck bed extender installed, periodic inspections should be performed to ensure all mounting hardware remains tight.

To remove the truck bed extender, first remove the end gate (#3) and set aside. Pull the tailgate handle, lift the side gates (#1, #2) vertically and pull towards the rear of the vehicle.