

# INSTALLATION MANUAL

# 16042

## Level of Difficulty

Easy

## Weight Capacity

Gross trailer weight (GTW)	25,000 lbs.
Vertical load	6,250 lbs.

## Parts List

Item	Qty	Description
1	2	Cross support tube
2	8	Carriage bolt, M12
3	8	Flange nut, M12
4	2	Cross Support

## Tools Required

Ratchet	Socket set
Torque wrench	--

## Torque Specifications

M12 bolt	65 ft-lbs.
Use above torque setting unless otherwise noted	

## ⚠ WARNING

Never exceed the vehicle manufacturer's recommended towing capacity. This may result in separation, damage to 5th wheel hitch, vehicle, trailer and / or cause serious injury or death.

Provide this entire installation manual to the end-user. Fully instruct and demonstrate the operation of this 5th wheel hitch to the end user. Include the importance of observing all warnings contained herein, including warning labels on 5th wheel hitch mid section. Serious injury or death may result if the warnings below are not observed.

Do not expose hands, body parts or clothing anywhere between the truck and trailer. Extreme care should be observed to avoid serious injury to self, property and observers.

Never position yourself or others under the trailer's kingpin area (danger zone) during coupling and uncoupling. Improperly coupled trailers can separate and drop without notice.

## Product Photo



## NOTICE

Before you begin installation, read all instructions thoroughly.

Proper tools will improve the quality of installation and reduce the time required.

To help prevent damage to the product or vehicle, refer to the specified torque specifications when securing hardware during the installation process.

## Maintenance

To protect the product, wax after installing. Regular waxing is recommended to add a protective layer over the finish. Do not use any type of polish or wax that may contain abrasives that could damage the finish.

Mild automotive detergent may be used to clean the product. Do not use dish detergent, abrasive cleaners, abrasive pads, wire brushes or other similar products that may damage the finish.

# ASSEMBLY

## Parts List

Item	Qty	Description
1	2	Cross support tube
2	8	Carriage bolt, M12
3	8	Flange nut, M12
4	2	Cross Support

## Step 1

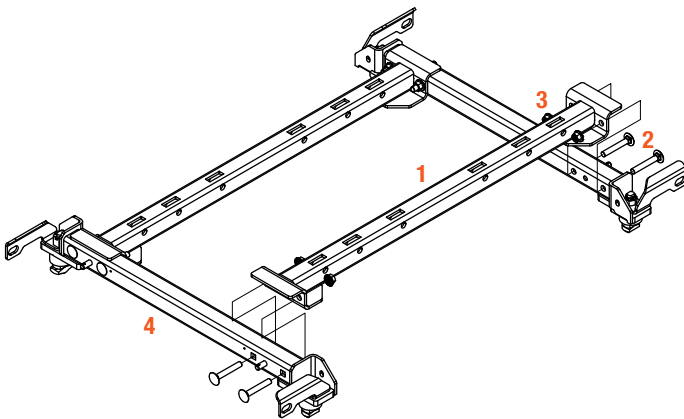
Remove the puck caps from bed of truck if present. Remove the lynch pins securing the locking handles and swing open all four handles of the cross support assembly to prepare for installation.

## Step 2

Mount each cross support assembly into the pucks in the bed of the truck.

## Step 3

Align the mounting holes on the cross support tubes (#1) with the holes in the assembled cross support (#4). Secure the cross support tubes to the cross supports using eight M12 carriage bolts (#2) and M12 flange nuts (#3). Torque all M12 hardware to 65 ft-lbs.



## Step 4

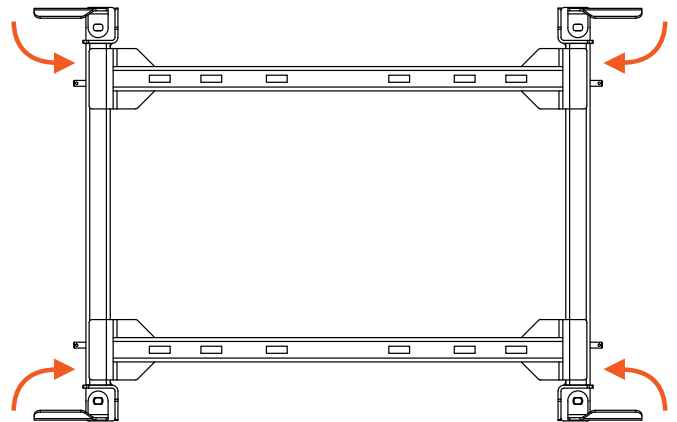
With the legs secured and positioned in the truck bed puck mounts, rotate the handles back to the closed position. Secure the handles by inserting the safety pin.

**Note:** Slight resistance should be felt as the handles are rotated closed. If the handles will not close with moderate pressure, you must adjust the locking T-bolt; see 'T-bolt Adjustment'.

### ⚠ WARNING

Forcing the handle closed may damage the locking bolt and handle, possibly resulting in trailer detachment.

Confirm both locking bolts are engaged in the truck bed puck mounts and the castle nuts are secured with the cotter pins. Ensure both handles are securely locked with the safety pin.



## T-Bolt Adjustment

The locking T-bolts are pre-installed to ease installation. Due to possible variation in the truck's mounting locations, some adjustments may be required. If one or more of the locking handles will not close, begin adjustment by removing the cotter pin securing the castle nut above the handle. See figure below.

Next, loosen the castle nut 1/4-turn while pressing down on the T-bolt. Reattempt to close the locking handle. If the handle closes, re-secure the castle nut with the removed cotter pin. If the handle does not close, loosen the castle nut 1/4-turn while pressing down on the T-bolt and reattempt to close the locking handle.

