

15445

1999-CURRENT FORD F350, F450, F-550, F-650

8/14/2012

GROSS LOAD CAPACITY WHEN USED AS A WEIGHT CARRYING HITCH: 17,000 LBS. TRAILER WEIGHT & 2,550 LBS. TONGUE WEIGHT.  
 GROSS LOAD CAPACITY WHEN USED AS A WEIGHT DISTRIBUTION HITCH: 17,000 LBS. TRAILER WEIGHT & 2,550 LBS. TONGUE WEIGHT

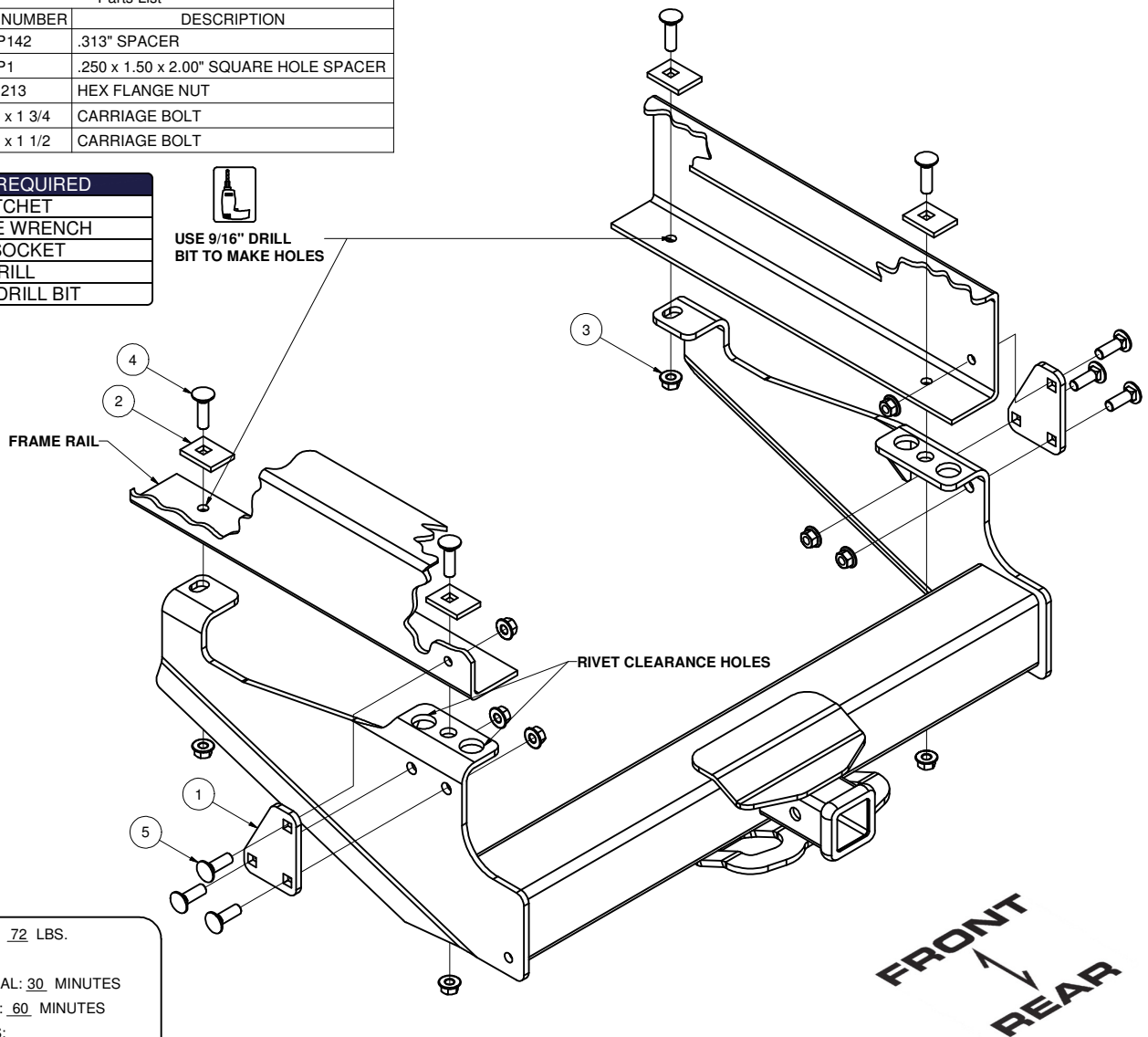
\*\*\*DO NOT EXCEED VEHICLE MANUFACTURER'S RECOMMENDED TOWING CAPACITY.\*\*\*

Parts List			
ITEM	QTY	PART NUMBER	DESCRIPTION
1	2	CM-SP142	.313" SPACER
2	4	CM-SP1	.250 x 1.50 x 2.00" SQUARE HOLE SPACER
3	10	HFN 1213	HEX FLANGE NUT
4	4	1/2-13 x 1 3/4	CARRIAGE BOLT
5	6	1/2-13 x 1 1/2	CARRIAGE BOLT

TOOLS REQUIRED
RATCHET
TORQUE WRENCH
3/4" SOCKET
DRILL
19/32" DRILL BIT



USE 9/16" DRILL BIT TO MAKE HOLES



HITCH WEIGHT: 72 LBS.

**INSTALL TIME**

PROFESSIONAL: 30 MINUTES

NOVICE (DIY): 60 MINUTES

**INSTALL NOTES:**

- DRILLING REQUIRED

## INSTALLATION STEPS

1. Raise hitch into position and clamp in place. Use the rivet clearance holes in the side plates for proper alignment.
2. With the hitch in place, mark the hole furthest from the bumper, for drilling. When you have the drill location marked, use a 17/32" drill bit to make the required mounting hole.
3. Fasten the hitch to the frame as shown, fastening to the holes in the back of the frame first and then to the drilled holes in the front.
4. Attach the mounting plates to the hitch and fasten to the truck as shown.
5. Torque all hardware to 110 ft-lbs.



**PERIODICALLY CHECK THIS RECEIVER HITCH TO ENSURE THAT ALL FASTENERS ARE TIGHT AND THAT ALL STRUCTURAL COMPONENTS ARE SOUND.**