

15306

# NISSAN TITAN XD

5/13/2016

GROSS LOAD CAPACITY WHEN USED AS A WEIGHT CARRYING HITCH: 16,000 LBS. TRAILER WEIGHT & 2,400 LBS. TONGUE WEIGHT.  
GROSS LOAD CAPACITY WHEN USED AS A WEIGHT DISTRIBUTION HITCH: 17,000 LBS. TRAILER WEIGHT & 2,400 LBS. TONGUE WEIGHT



WARNING: \*\*\* DO NOT EXCEED VEHICLE MANUFACTURER'S RECOMMENDED TOWING CAPACITY. \*\*\*

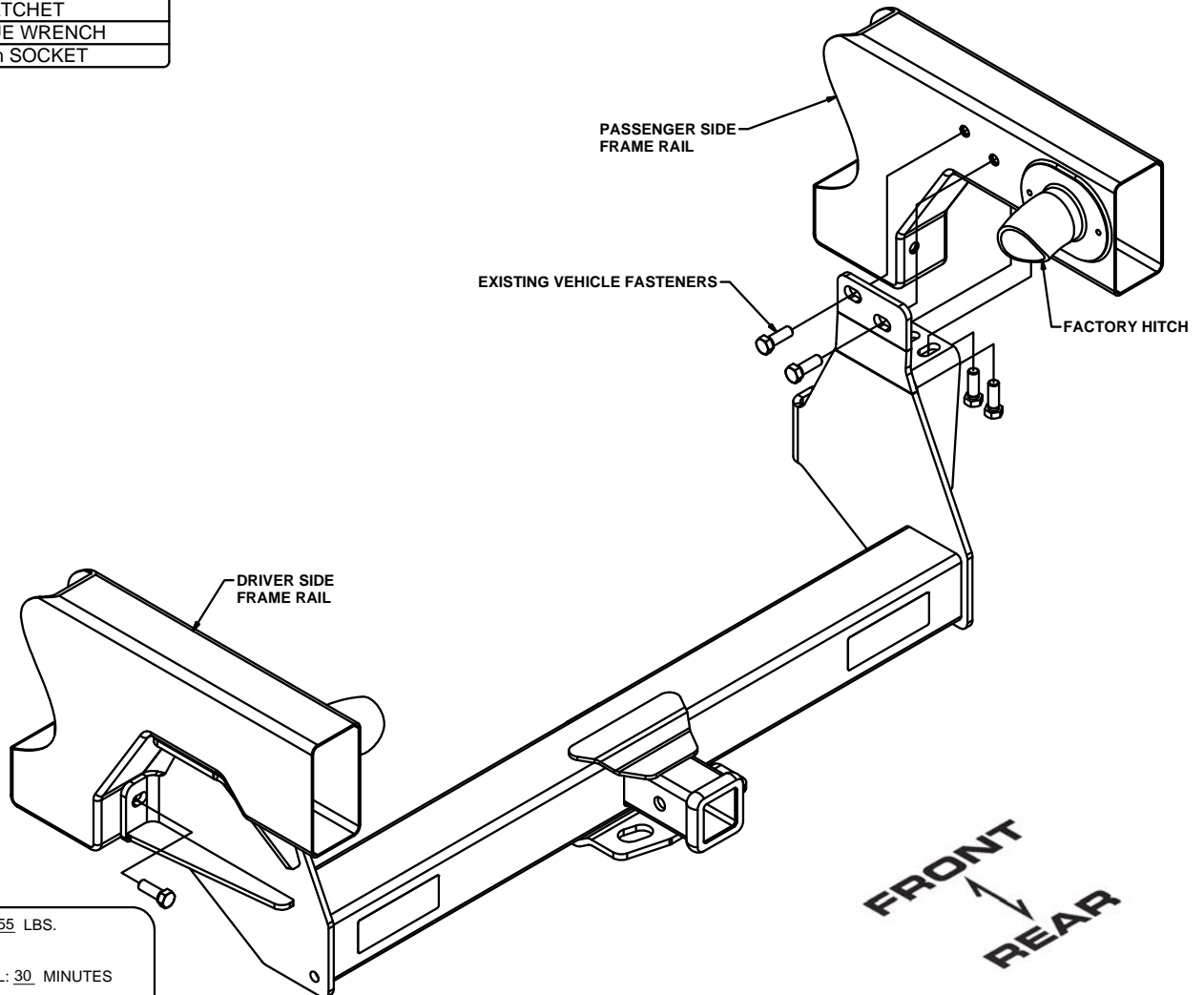


### TOOLS REQUIRED

RATCHET

TORQUE WRENCH

17mm SOCKET



HITCH WEIGHT: 55 LBS.

#### INSTALL TIME

PROFESSIONAL: 30 MINUTES

NOVICE (DIY): 60 MINUTES

#### INSTALL NOTES:

- NO DRILLING REQUIRED
- FITS BELOW FACTORY HITCH

## INSTALLATION STEPS

1. Remove (10) M12 bolts from the vehicle using a 17mm socket as shown above. Loosening the (2) remaining bumper/hitch bolts and (4) spring shackle reinforcement bracket bolts will aid bolt removal.

**NOTE:** Be sure not to strip the threads of any of the bolts removed or loosened.

2. Raise hitch into position and reinstall bolts removed in step 1.
3. Torque all M12 fasteners to 86 lb-ft.



PERIODICALLY CHECK THIS [RECEIVER HITCH](#) TO ENSURE THAT ALL FASTENERS ARE TIGHT AND THAT ALL STRUCTURAL COMPONENTS ARE SOUND.