

INSTALLATION MANUAL

15010

Level of Difficulty

Easy

Installation difficulty levels are based on time and effort involved and may vary depending on the installer level of expertise, condition of the vehicle and proper tools and equipment.

Weight Carrying Capacity

Gross trailer weight (GTW)	20,000 lbs.
Tongue weight (TW)	2,700 lbs.

Weight Distribution Capacity

Weight distribution (WD)	20,000 lbs.
WD tongue weight (WDTW)	2,700 lbs.

Parts List

Item	Qty	Description
1	2	Strap
2	2	Carriage bolt, 1/2"-13 x 1-3/4", grade 8
3	6	Carriage bolt, 1/2"-13 x 1-1/2", grade 8
4	4	Hex bolt, M14-2 x 45mm, CL 10.9
5	8	Serrated-flange nut, 1/2"-13
6	4	Conical-toothed washer, 9/16"
7	4	Spacer, 1/4" x 1" x 3"
8	2	Fishwire, 1/2"

Tools Required

Ratchet	Socket, 13mm
Torque wrench	Socket, 21mm
Socket extension, 10"	Socket, 3/4"

⚠ WARNING

Never exceed the vehicle manufacturer's recommended towing capacity.

Product Photo



NOTICE

Before you begin installation, read all instructions thoroughly.

Proper tools will improve the quality of installation and reduce the time required.

This installation requires no drilling.

Periodic inspection of the trailer hitch should be performed to ensure all mounting hardware remains tight and structural components are secure.

To help prevent damage to the product or vehicle, refer to the specified torque specifications when securing hardware during the installation process.

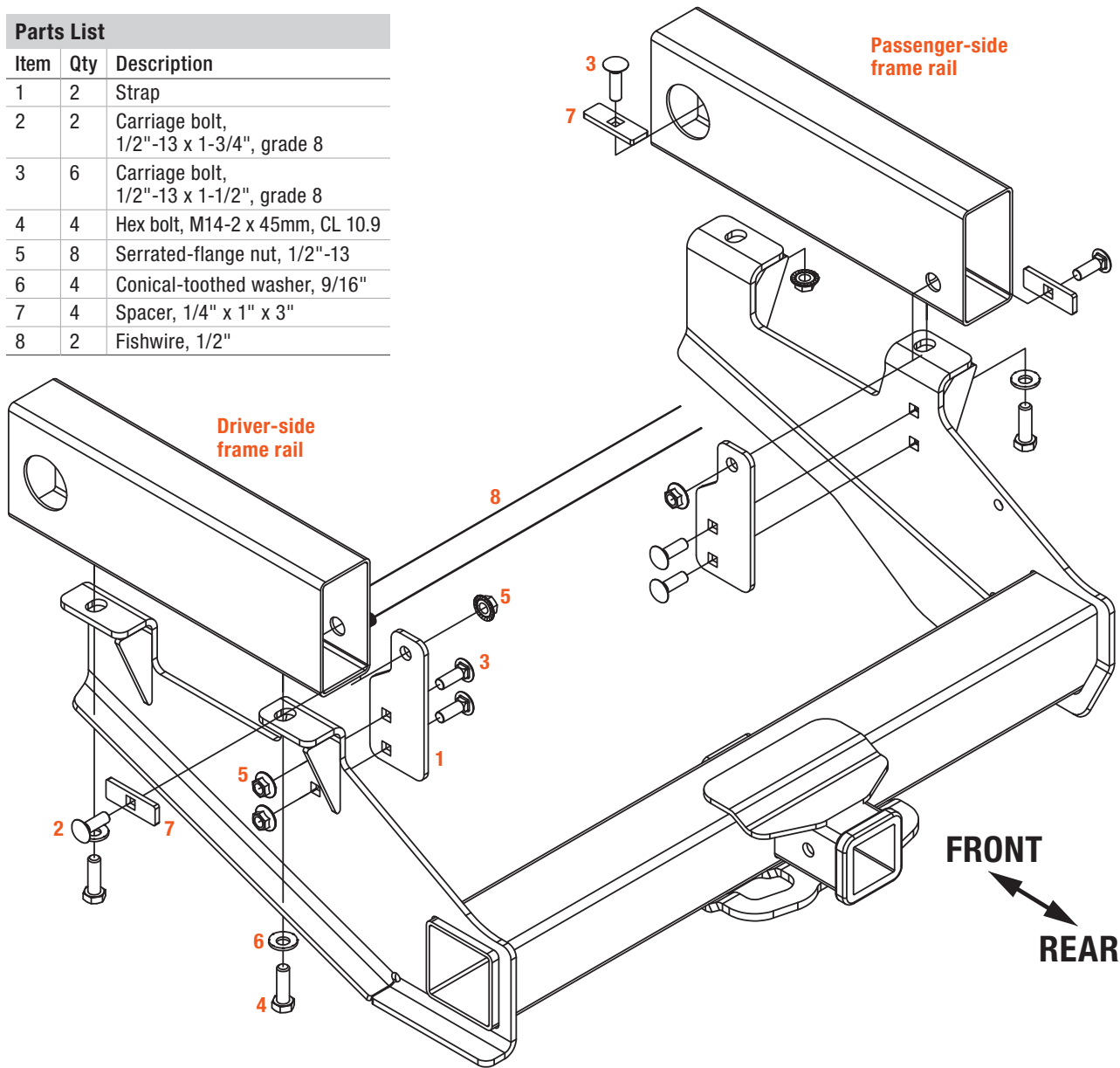
SAFETY INSTRUCTIONS

Safety glasses should be worn at all times while installing this product.

ASSEMBLY

Parts List

Item	Qty	Description
1	2	Strap
2	2	Carriage bolt, 1/2"-13 x 1-3/4", grade 8
3	6	Carriage bolt, 1/2"-13 x 1-1/2", grade 8
4	4	Hex bolt, M14-2 x 45mm, CL 10.9
5	8	Serrated-flange nut, 1/2"-13
6	4	Conical-toothed washer, 9/16"
7	4	Spacer, 1/4" x 1" x 3"
8	2	Fishwire, 1/2"

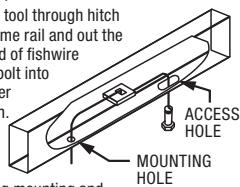


Step 1

To ease installation, unhook the spare tire safety strap and lower the spare tire. Remove two bumper bolts from the bottom of each frame rail. Remove the heat shield bolt from the bottom of the passenger-side frame rail. If the vehicle does not have forward-most bolts, fishwire 1/2"-13 x 1-3/4" carriage bolts (#2) and spacers (#7) into the holes.

FISHWIRE TECHNIQUE

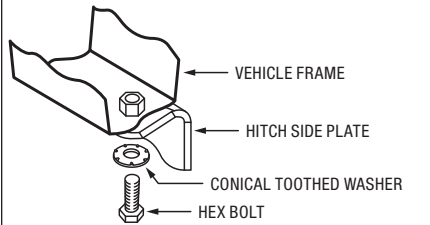
Insert coiled end of fishwire tool through hitch mounting hole in vehicle frame rail and out the access hole. Pass coiled end of fishwire through spacer and thread bolt into coil. Kink wire to keep spacer separate from bolt as shown. Pull fishwire, spacer and bolt through frame and out mounting hole. Use fishwire to guide hitch during mounting and prevent loss of bolt or spacer inside frame rail.



Step 2

Fishwire a 1/2"-13 x 1-1/2" carriage bolt (#3) and 1/4" spacer (#7) into the rearmost hole on the inside of each frame rail. Raise the trailer hitch into position and secure it with the provided M14 hex bolts (#4), conical-toothed washers (#6) and 1/2" serrated-flange nuts (#5), if required.

CONICAL TOOTHED WASHER ORIENTATION



Step 3

Attach the provided straps (#1) to the side plates using 1/2"-13 x 1-1/2" carriage bolts (#3) and 1/2"-13 serrated-flange nuts (#5). Secure the straps to the inside of the frame rails using the remaining 1/2" flange nuts and hardware fishwired in Step 2.

Step 4

Torque all M14 hardware to 126 ft-lbs. and all 1/2" hardware to 110 ft-lbs.

Reinstall the spare tire.