

13563**NISSAN QUEST****5/26/2015**

**GROSS LOAD CAPACITY WHEN USED AS A WEIGHT CARRYING HITCH: 3,500 LBS. TRAILER WEIGHT & 300 LBS. TONGUE WEIGHT.
GROSS LOAD CAPACITY WHEN USED AS A WEIGHT DISTRIBUTION HITCH: 5,000 LBS. TRAILER WEIGHT & 500 LBS. TONGUE WEIGHT**

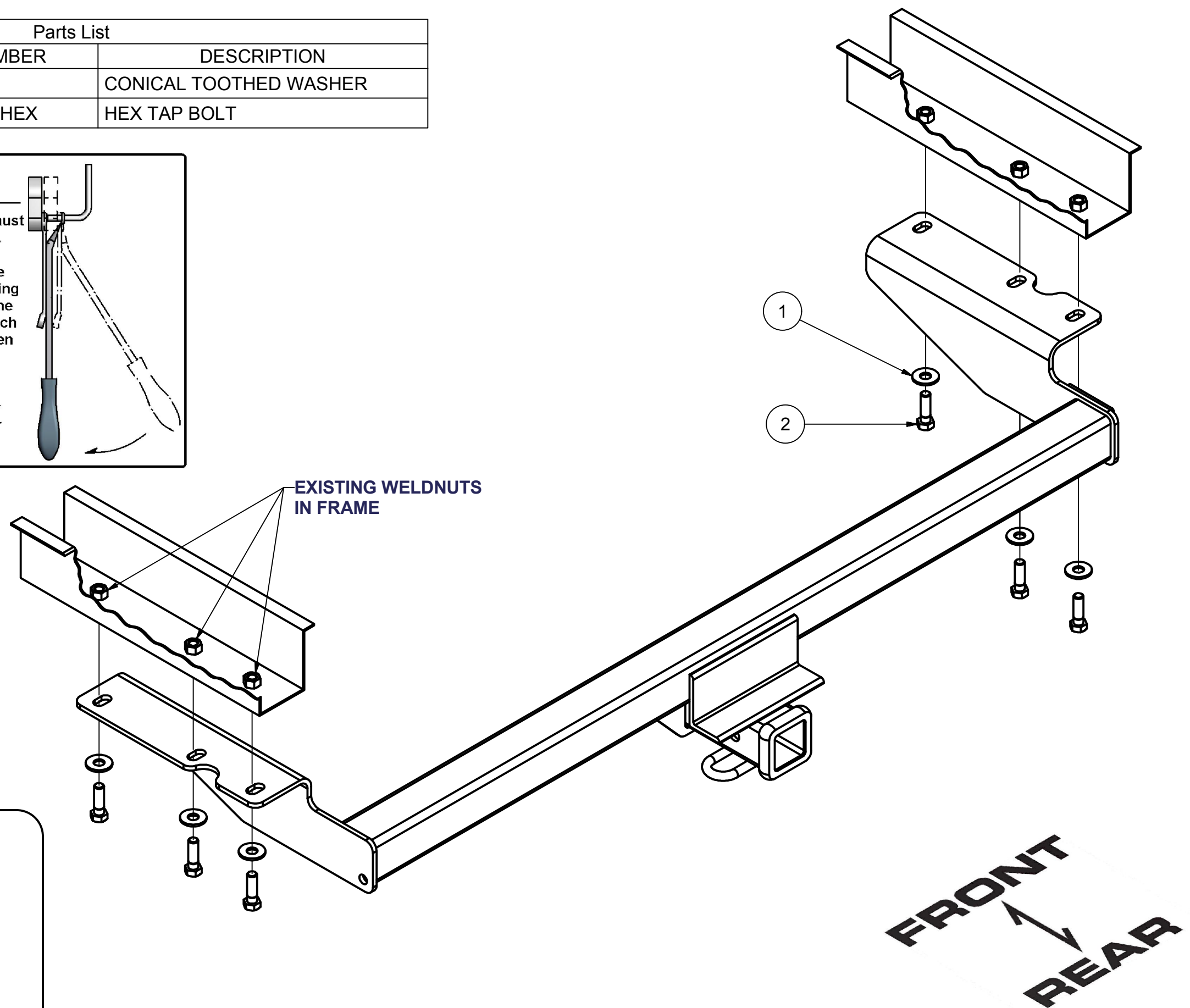
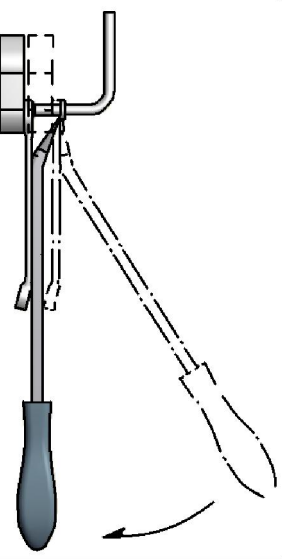
Parts List			
ITEM	QTY	PART NUMBER	DESCRIPTION
1	6	1/2"	CONICAL TOOTHED WASHER
2	6	M12 - 1.25 x 40 HEX	HEX TAP BOLT

**RUBBER ISOLATOR
REMOVAL DIAGRAM**

This technique can be used if and Exhaust Hanger Removal Pliers is not available.

Using a 5/8" open end wrench, slide the wrench up to the rubber isolator, cradling the hanger rod as shown. Next place the flat edge of a pry bar between the wrench and the hanger stop or hanger rod. Then simply rotate the pry bar toward the wrench to remove the rubber isolator.

Note: Using a spray lubricant or soapy water on the hanger rod and the rubber isolator helps removal.



HITCH WEIGHT: 48 LBS.

INSTALL TIME

PROFESSIONAL: 25 MINUTES

NOVICE (DIY): 50 MINUTES

INSTALL NOTES:

- LOWER EXHAUST
- NO DRILLING REQ

INSTALLATION STEPS

1. Remove the plastic rivets that fasten the bumper fascia tabs to the back of vehicle. **(Note: To do this, remove the center of the rivet with a screwdriver, or from the top side, push down on the center piece in rivet and remove. Keep these rivets and put them back in after hitch is installed.)**
2. Lower the exhaust by removing the rubber from the muffler hanger and by loosening the two nuts that secure the exhaust hanger bracket to the chassis, ahead of the muffler adjacent to rear axle.
3. Pull and hold muffler to the side to remove the screw attaching the ground strap to the passenger side frame rail. Keep this screw. Remove the two screws that attach the aluminum heat shield to the frame. Return heat shield and screws to customer.
4. Raise hitch into place and loosely install the 12mm hex bolts and conical toothed washers. **(Note: Position hitch toward driver side to allow maximum muffler clearance.)**
5. Torque all 12mm fasteners to 86 lb.-ft.
6. Reinstall ground strap and screw. Lift exhaust back into position and re-install hangers.

PERIODICALLY CHECK THIS RECEIVER HITCH TO ENSURE THAT ALL FASTENERS ARE TIGHT AND THAT ALL STRUCTURAL COMPONENTS ARE SOUND.

