

# INSTALLATION MANUAL

13489

## Level of Difficulty

Easy

Installation difficulty levels are based on time and effort involved and may vary depending on the installer level of expertise, condition of the vehicle and proper tools and equipment.

## Weight Carrying Capacity

Gross trailer weight (GTW)	3,500 lbs.
Tongue weight (TW)	525 lbs.

## Tools Required

Ratchet	Socket, 5/8"
Torque wrench	--

## ⚠ WARNING

Never exceed the vehicle manufacturer's recommended towing capacity.

## Product Photo



## NOTICE

Before you begin installation, read all instructions thoroughly.

Proper tools will improve the quality of installation and reduce the time required.

This installation requires:

- Partial removal and trimming of the underbody panel

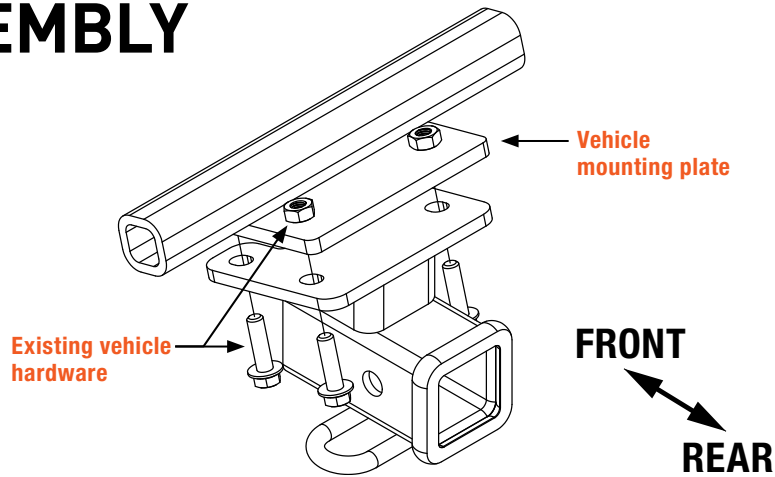
Periodic inspection of the trailer hitch should be performed to ensure all mounting hardware remains tight and structural components are secure.

To help prevent damage to the product or vehicle, refer to the specified torque specifications when securing hardware during the installation process.

## SAFETY INSTRUCTIONS

Safety glasses should be worn at all times while installing this product.

# ASSEMBLY



## Step 1

Remove the four M10-1.5 bolts that are securing the factory hitch to the vehicle.

Remove the factory hitch and return to the owner.



## Step 2

Raise the new hitch into position and secure using the factory hardware.

Torque hardware to 45 ft-lbs.



## Final Installed Image

