

INSTALLATION MANUAL

13479

Level of Difficulty

Easy

Installation difficulty levels are based on time and effort involved and may vary depending on the installer level of expertise, condition of the vehicle and proper tools and equipment.

Weight Carrying Capacity

Gross trailer weight (GTW)	2,000 lbs.
Tongue weight (TW)	200 lbs.

Parts List

Item	Qty	Description
1	4	Carriage bolt, 7/16"-14 x 1-1/2", grade 8
2	4	Spacer, 1/4" x 7/8" x 2-1/4"
3	4	Serrated-flange nut, 7/16"-14
4	4	Fishwire, 7/16"

Tools Required

Ratchet	Socket, 11/16"
Socket extension, 6"	Torque Wrench
Fishwire, 7/16" (includes four)	Safety glasses

⚠ WARNING

Never exceed the vehicle manufacturer's recommended towing capacity.

Product Photo



NOTICE

Before you begin installation, read all instructions thoroughly.

Proper tools will improve the quality of installation and reduce the time required.

This installation requires:

- Fishwiring to install hardware

Periodic inspection of the trailer hitch should be performed to ensure all mounting hardware remains tight and structural components are secure.

To help prevent damage to the product or vehicle, refer to the specified torque specifications when securing hardware during the installation process.

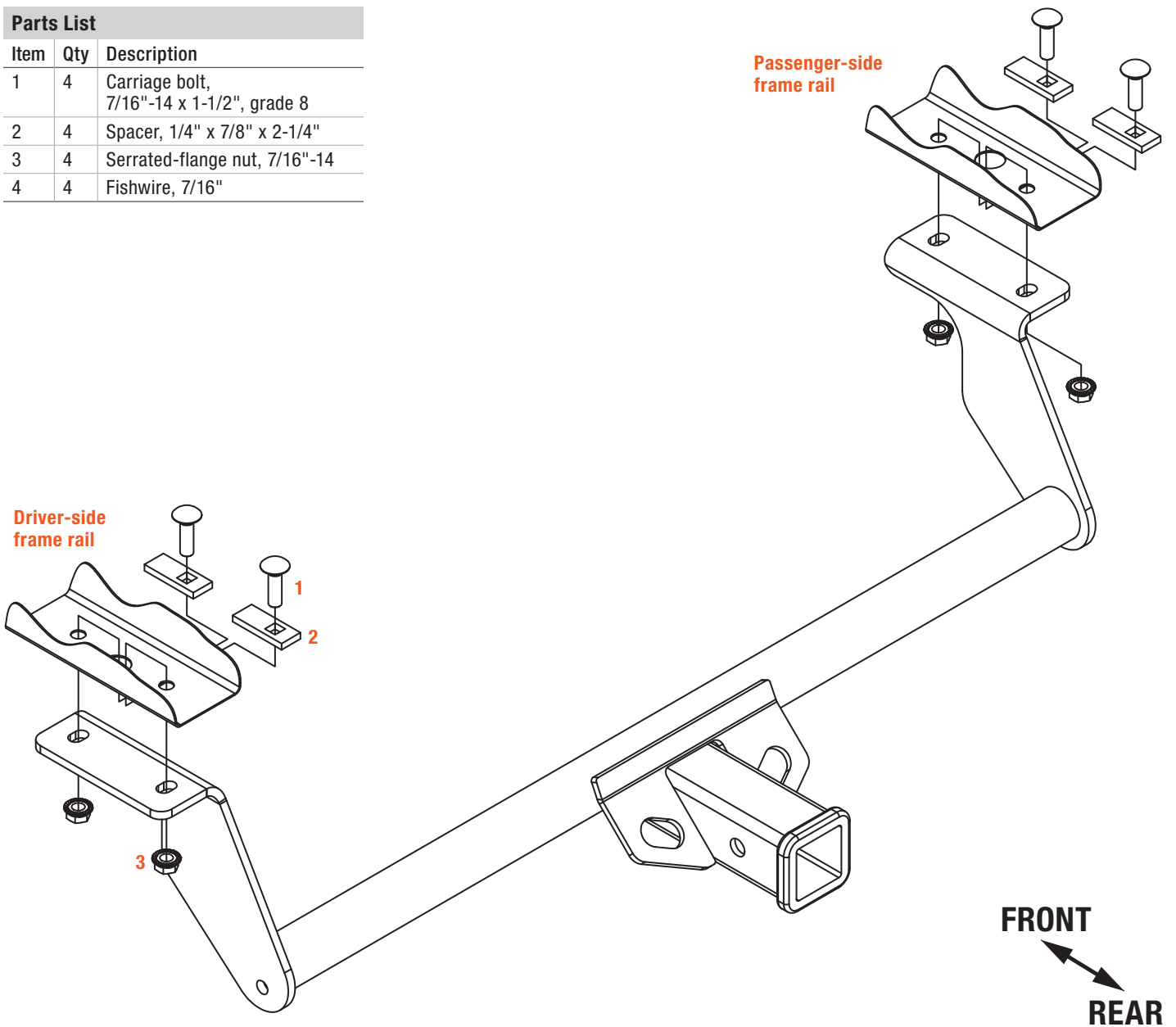
SAFETY INSTRUCTIONS

Safety glasses should be worn at all times while installing this product.

ASSEMBLY

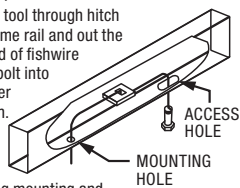
Parts List

Item	Qty	Description
1	4	Carriage bolt, 7/16"-14 x 1-1/2", grade 8
2	4	Spacer, 1/4" x 7/8" x 2-1/4"
3	4	Serrated-flange nut, 7/16"-14
4	4	Fishwire, 7/16"



FISHWIRE TECHNIQUE

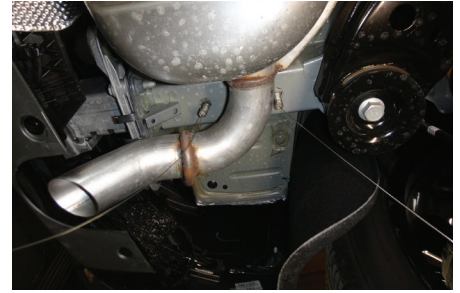
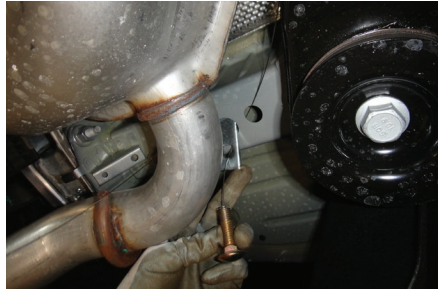
Insert coiled end of fishwire tool through hitch mounting hole in vehicle frame rail and out the access hole. Pass coiled end of fishwire through spacer and thread bolt into coil. Kink wire to keep spacer separate from bolt as shown. Pull fishwire, spacer and bolt through frame and out mounting hole. Use fishwire to guide hitch during mounting and prevent loss of bolt or spacer inside frame rail.



Step 1

Fishwire a 7/16" carriage bolt (#1) and a spacer (#2) into the access hole and out each mounting hole of each frame rail.

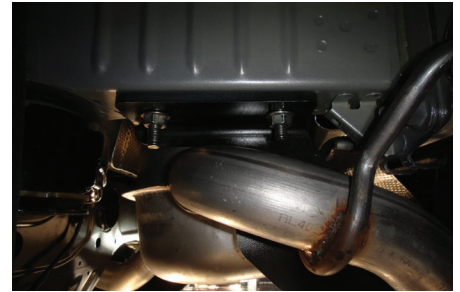
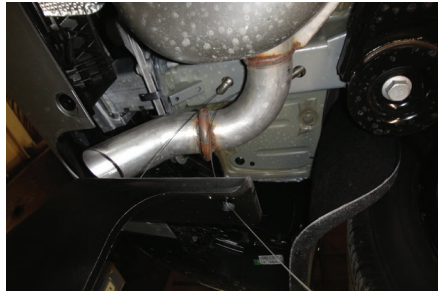
Leave the fishwires attached.



Step 2

Guide the fishwires through the mounting holes of the trailer hitch and raise it into position.

Remove the fishwires and loosely secure with 7/16" serrated-flange nuts (#3).



Step 3

Torque all hardware to 59 ft-lbs.



Final Installed Image



TOWING BASICS & SAFETY INFORMATION