

INSTALLATION MANUAL

13468

Level of Difficulty

Easy

Installation difficulty levels are based on time and effort involved and may vary depending on the installer level of expertise, condition of the vehicle and proper tools and equipment.

Weight Carrying Capacity

Gross trailer weight (GTW)	3,500 lbs.
Tongue weight (TW)	525 lbs.

Parts List

Item	Qty	Description
1	4	Hex bolt, M12 - 1.25 x 35mm, CL 10.9
2	4	Conical-toothed washer, 1/2"

Tools Required

Ratchet	Socket, 17mm
Torque wrench	Socket, 19mm

⚠ WARNING

Never exceed the vehicle manufacturer's recommended towing capacity.

Product Photo



NOTICE

Before you begin installation, read all instructions thoroughly.

Proper tools will improve the quality of installation and reduce the time required.

Periodic inspection of the trailer hitch should be performed to ensure all mounting hardware remains tight and structural components are secure.

To help prevent damage to the product or vehicle, refer to the specified torque specifications when securing hardware during the installation process.

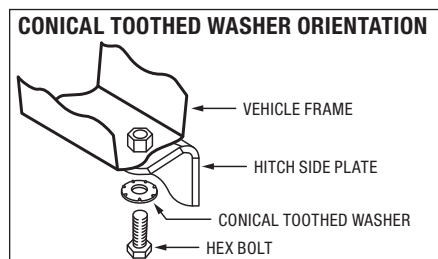
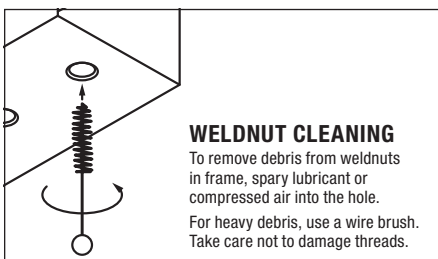
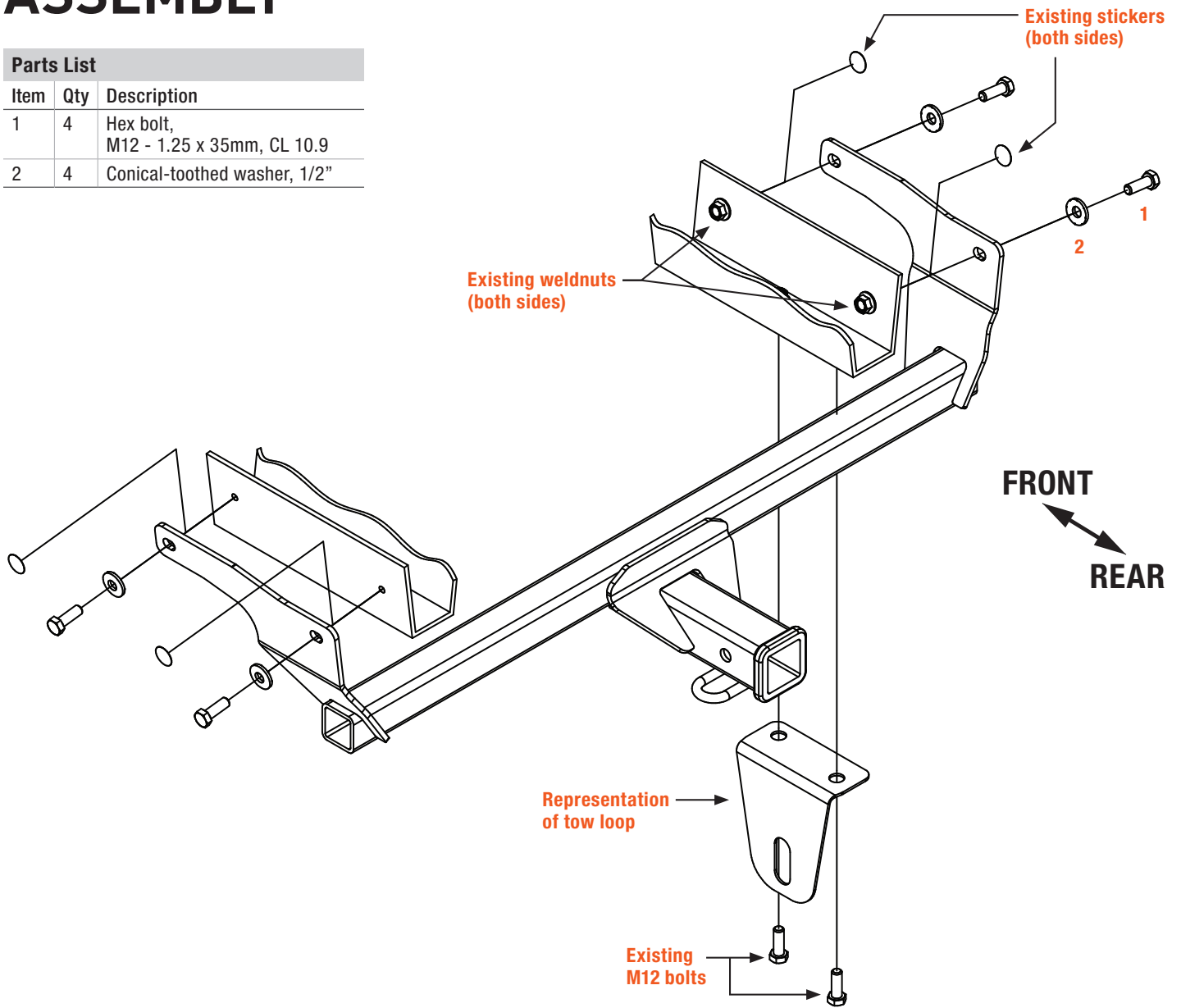
SAFETY INSTRUCTIONS

Safety glasses should be worn at all times while installing this product.

ASSEMBLY

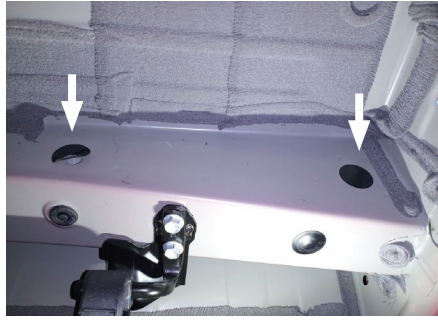
Parts List

Item	Qty	Description
1	4	Hex bolt, M12 - 1.25 x 35mm, CL 10.9
2	4	Conical-toothed washer, 1/2"



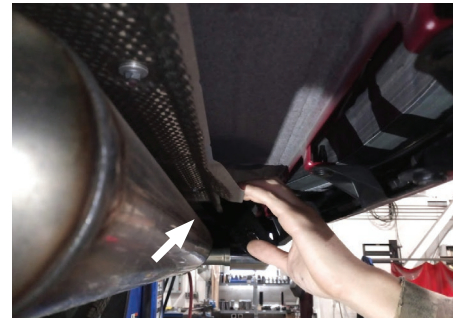
Step 1

Remove two stickers from the side of the frame rail closest to the exhaust on both sides of the vehicle.



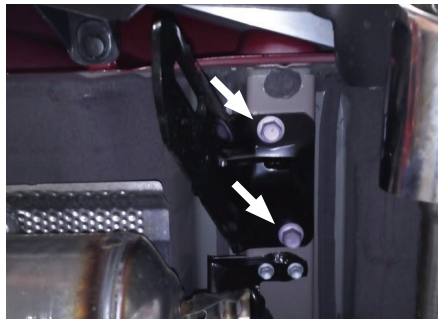
Step 2

Bend the heat shield downward as needed to provide clearance for the trailer hitch.



Step 3

Remove the tow loop by unscrewing two M12 bolts on the bottom of the passenger-side frame. Reinstall the two M12 bolts and torque to 60 ft-lbs.



Step 4

Raise the trailer hitch into position and align the holes in the hitch with the weld nuts in the frame. Secure the hitch to the frame by hand tightening the two provided M12 hex bolts (#1) and 1/2" conical-toothed washers (#2) on both sides of the vehicle.

Torque all M12 hardware to 86 ft-lbs.



Final Installed Image

