

INSTALLATION MANUAL

13457

Level of Difficulty

Easy

Installation difficulty levels are based on time and effort involved and may vary depending on the installer level of expertise, condition of the vehicle and proper tools and equipment.

Weight Carrying Capacity

Gross trailer weight (GTW)	4,000 lbs.
Tongue weight (TW)	400 lbs.

Parts List

Item	Qty	Description
1	6	Carriage bolt, 1/2"-13 x 1-3/4", grade 8
2	6	Serrated-flange nut, 1/2"-13
3	6	Square-hole spacer, 1/4" x 1" x 2-1/2"

Tools Required

Ratchet	Socket, 17mm
Torque wrench	Socket, 19mm
1/2" fishwire, qty 6	--

⚠ WARNING

Never exceed the vehicle manufacturer's recommended towing capacity.

Product Photo



NOTICE

Before you begin installation, read all instructions thoroughly.

Proper tools will improve the quality of installation and reduce the time required.

This installation requires:

- Use of existing hardware

Periodic inspection of the trailer hitch should be performed to ensure all mounting hardware remains tight and structural components are secure.

To help prevent damage to the product or vehicle, refer to the specified torque specifications when securing hardware during the installation process.

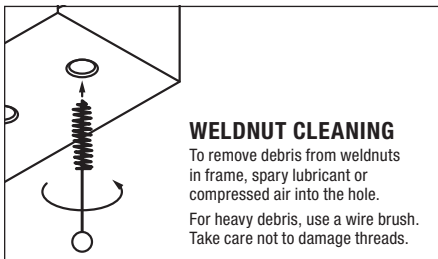
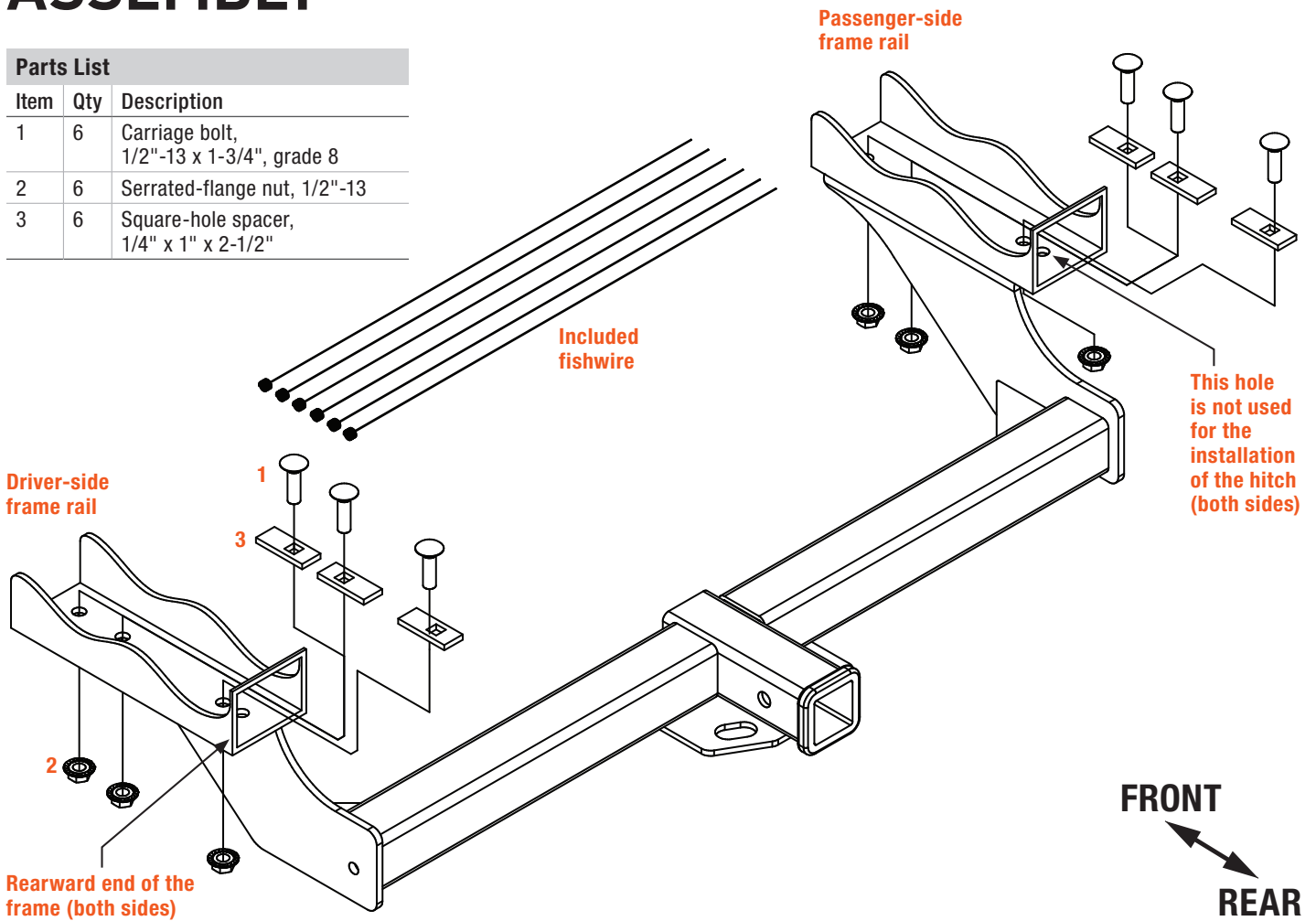
SAFETY INSTRUCTIONS

Safety glasses should be worn at all times while installing this product.

ASSEMBLY

Parts List

Item	Qty	Description
1	6	Carriage bolt, 1/2"-13 x 1-3/4", grade 8
2	6	Serrated-flange nut, 1/2"-13
3	6	Square-hole spacer, 1/4" x 1" x 2-1/2"



Step 1

Using the provided fishwires, feed three carriage bolts (#1) and three 2-1/2" square-hole spacers (#3) through the rearward end of the vehicle's frame and into the second, third and fourth rearmost holes on the bottom of the frame.

Leave the fishwires attached.

Repeat on the other side of the vehicle.

Note: Make sure the square-hole spacers are not overlapping.

Step 2

Raise the trailer hitch into position.

Feed the previously installed fishwires through the three holes in the hitch on both sides of the vehicle until all the carriage bolts (#1) are through the hitch mounting holes.

Remove the six fishwires and loosely install the six serrated-flange nuts (#2).

Torque all 1/2" hardware to 110 ft-lbs.