

13045

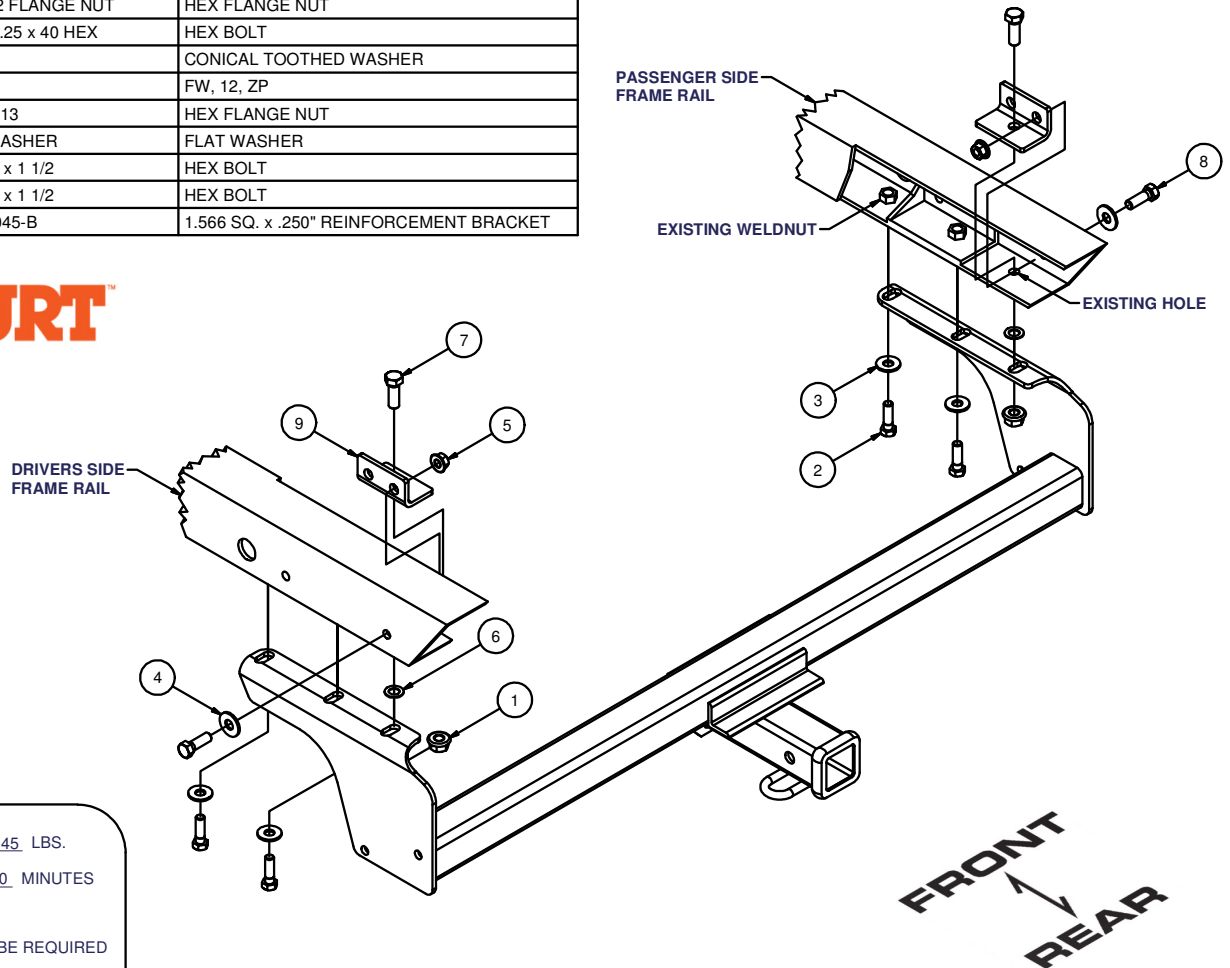
93-98 TOYOTA T100 (4WD ONLY)

10/15/2012

GROSS LOAD CAPACITY WHEN USED AS A WEIGHT CARRYING HITCH: 5,000 LBS. TRAILER WEIGHT & 500 LBS. TONGUE WEIGHT.  
 GROSS LOAD CAPACITY WHEN USED AS A WEIGHT DISTRIBUTION HITCH: 8,000 LBS. TRAILER WEIGHT & 800 LBS. TONGUE WEIGHT

\*\*\*DO NOT EXCEED VEHICLE MANUFACTURER'S RECOMMENDED TOWING CAPACITY.\*\*\*

Parts List			
ITEM	QTY	PART NUMBER	DESCRIPTION
1	2	9_16-12 FLANGE NUT	HEX FLANGE NUT
2	4	M12 - 1.25 x 40 HEX	HEX BOLT
3	4	1/2"	CONICAL TOOTHED WASHER
4	2	FW12	FW, 12, ZP
5	2	HFN 1213	HEX FLANGE NUT
6	2	9_16 WASHER	FLAT WASHER
7	2	9/16-12 x 1 1/2	HEX BOLT
8	2	1/2 - 13 x 1 1/2	HEX BOLT
9	2	CM-13045-B	1.566 SQ. x .250" REINFORCEMENT BRACKET



HITCH WEIGHT: 45 LBS.  
 INSTALL TIME: 30 MINUTES  
 INSTALL NOTES:  
 - DRILLING MAY BE REQUIRED

## INSTALLATION STEPS

- 1) Remove the hardware from both sides that secure the bumper mounting brackets from the rear mount side of the vehicle.
  - 2) Install frame reinforcement bracket inside the frame rail so that the longer leg sits flat against the bottom of the frame and the holes line up with the slots in the frame rails.
- NOTE:** If the hole in the bumper mounting bracket does not line up with the hole in the reinforcement bracket, it may need to be drilled out with a 1/2" bit.
- 3) Remove the front two bolts on both sides.
  - 4) Raise the hitch into position and install M12 x 1.25 x 40mm and conical tooth washer through the hitch and into weldnut in frame as shown.
  - 5) Install remaining fasteners as shown. Torque all M12 fasteners to 86 lb.-ft., all 1/2" fasteners to 110 lb.-ft., and all 9/16" fasteners to 150 lb.-ft.

**PERIODICALLY CHECK THIS RECEIVER HITCH TO ENSURE THAT ALL FASTENERS ARE TIGHT AND THAT ALL STRUCTURAL COMPONENTS ARE SOUND.**