



11527 INSTALLATION INSTRUCTIONS



Safety glasses should be worn at all times while installing this product.

YEARS: 2013-PRESENT

MAKE: BUICK/CHEVROLET

MODEL: ENCORE/TRAX

STYLE: CROSSOVER

WARNING: NEVER EXCEED YOUR VEHICLE MANUFACTURER'S RECOMMENDED TOWING CAPACITY

WEIGHT CARRYING:
TRAILER WEIGHT: 2,000 LBS.
TONGUE WEIGHT: 200 LBS.

WARNING:
ALL NON-TRAILER (WHEEL-LESS) LOADS APPLIED TO THIS PRODUCT MUST BE SUPPORTED BY 18050 STABILIZING STRAPS.

PRO INSTALL TIME: 30 MIN.
NOVICE INSTALL TIME: 60 MIN.
IF YOU ARE HESITANT TO UNDERTAKE THIS TASK ON YOUR OWN, CONTACT AN AUTHORIZED CURT INSTALLER FOR ADDITIONAL ASSISTANCE.

INSTALLATION TIPS:
1. BEFORE YOU BEGIN INSTALLATION, READ ALL INSTRUCTIONS THOROUGHLY.
2. TO EASE INSTALLATION, 2 PEOPLE MAY BE REQUIRED.
3. USING PROPER TOOLS WILL GREATLY IMPROVE THE QUALITY OF THE INSTALL AND REDUCE THE TIME REQUIRED.

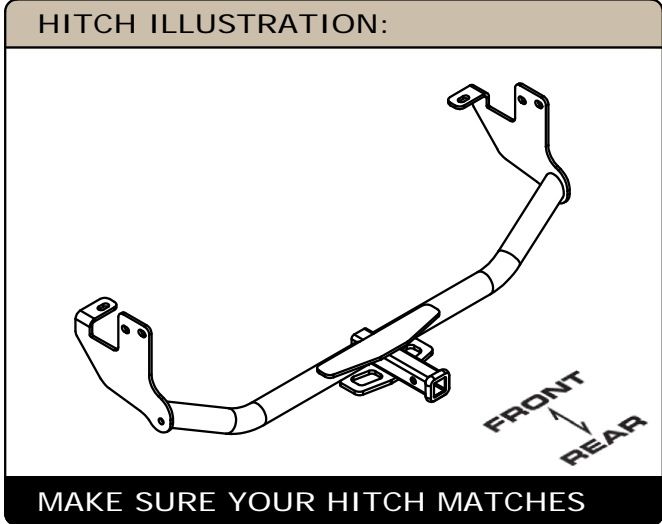


INSTALLATION REQUIRES:

SAFETY GLASSES	SPRAY LUBRICANT	DIE GRINDER
CUT-OFF WHEEL	RATCHET	6" SOCKET EXTENSION
SOCKET 11/16" 3/4"	TORQUE WRENCH	

LEVEL OF DIFFICULTY: MODERATE

EASY	MODERATE	CHALLENGING
	LOWER EXHAUST FOR EASE OF INSTALLATION	
	HOLE ENLARGEMENT REQUIRED	
	TRIMMING REQUIRED	
	FISHWIRING REQUIRED	

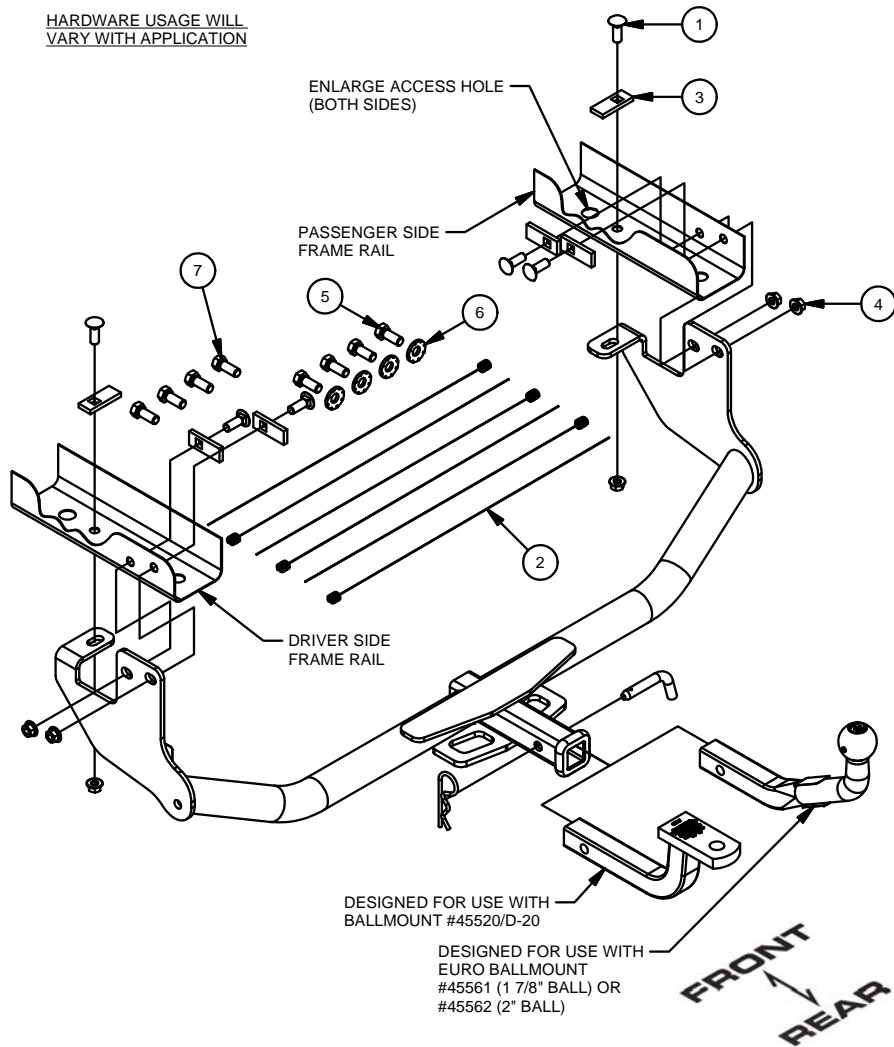


PERIODICALLY CHECK THIS RECEIVER HITCH TO ENSURE ALL FASTENERS ARE TIGHT AND ALL STRUCTURAL COMPONENTS ARE SOUND
CURT Manufacturing LLC. warrants this product to be free of defects in material and/or workmanship at the time of retail purchase by the original purchaser. If the product is found to be defective, CURT Manufacturing LLC. may repair or replace the product at their option, when the product is returned, prepaid, with proof of purchase. Alteration to, misuse of, or improper installation of this product voids the warranty. CURT Manufacturing LLC.'s liability is limited to repair or replacement of products found to be defective, and specifically excludes liability for incidental or consequential loss or damage.

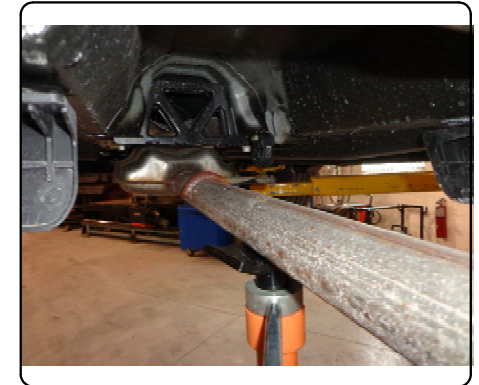
INSTALLATION WALKTHROUGH:

Parts List			
ITEM	QTY	PART NUMBER	DESCRIPTION
1	6	7_16 - 14 x 1 1_4 CARRIAGE (GRADE 8)	CARRIAGE BOLT
2	6	7_16 FISHWIRE	7/16" FISHWIRE
3	6	CM-SP2	.250 x .88 x 2.25" SQUARE HOLE SPACER
4	6	7/16-14	HEX FLANGE NUT
5	4	M12-1.25 x 30mm	HEX BOLT
6	4	1/2 CONICAL TOOTHED WASHER	WASHER, CONICAL, TOOTHED, 1/2"
7	4	M12-1.75 x 30mm	HEX BOLT

HARDWARE USAGE WILL VARY WITH APPLICATION



1) Lower rear exhaust hangers from one location on each side of the vehicle. For ease of installation, the exhaust can also be lowered in one location at the front center of the vehicle. This location will need to be lowered slowly and supported from underneath during install. Caulking may need to be trimmed around side mounting holes if present.

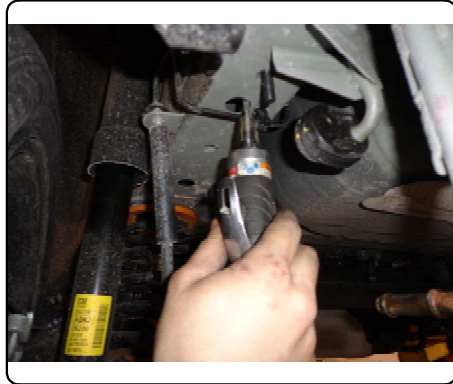


2) On some model years the wheel well plastic on each side of the vehicle near the frame rails will need to be trimmed to provide a flush fit for the hitch side plates. Be sure to avoid the vehicle brake lines when cutting the plastic away.



INSTALLATION WALKTHROUGH:

- 3) Enlarge the access holes in the vehicle frame in order to fit the SP2 spacers provided in the hardware kit. Be sure to avoid the vehicle brake lines when cutting the frame material away.



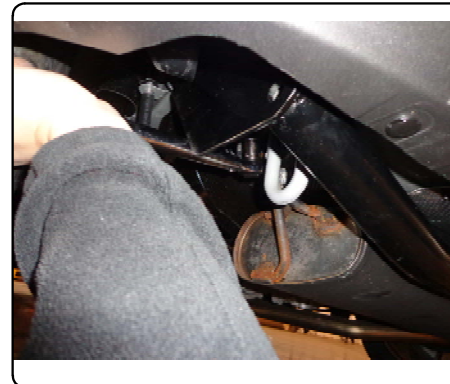
- 4) Fishwire spacers and 7/16" bolts through access holes and into the bottom mounting holes in the vehicle frame. Raise hitch into position and loosely secure in place with the 7/16" nuts provided.



- 5a) If no weldnuts exist in frame, fishwire the hardware for the vertical mounting points through the framerrail and the hitch side plates. Secure all 7/16" hardware.
b) If weldnuts exist in frame, then secure hitch with M12 bolts and 1/2" conical washers in the side mounting plates



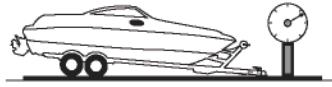
- 6) Torque all 7/16" hardware to 70 lb-ft.
Torque all M12 hardware to 86 lb-ft.
Raise exhaust hangers back into position.



TOWING SAFETY INFORMATION

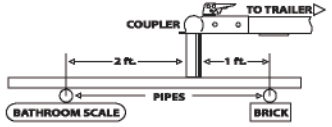
Gross Trailer Weight / GTW

The Gross Trailer Weight is the weight of the trailer & cargo. Measure this by putting the fully loaded trailer on a vehicle scale.



Tongue Weight / TW

The downward force that is exerted on the hitch ball by the coupler. The tongue weight will vary depending on where the load is positioned in relationship to the trailer axle(s). To measure the tongue weight, use either a commercial scale or a bathroom scale with the coupler at towing height. When using a bathroom scale with heavier tongue weights, use the method shown and multiply the scale reading by 3.



Weight Carrying / WC

The total weight of both the trailer and the cargo inside. Never exceed the weight capacity of your trailer hitch.

Weight Distribution / WD

Used to balance the weight of the cargo between the front and rear wheels throughout the trailer, allowing for better steering, braking, and level riding.



Sway Control

A device used to reduce the lateral movements of the trailer that are caused by the wind. This works in conjunction with a weight distribution hitch. Do not use this on a class 1 or 2 hitch, or with surge brakes.

How Much Can You Safely Tow?

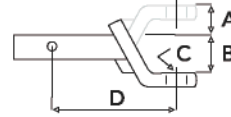
TONGUE WEIGHT lbs	1000	2000	3000	4000	5000	6000	7000	8000	10,000	12,000
Tongue weight should be about 10 to 15 percent of the gross trailer weight.										
CLASS 1										
CLASS 2										
CLASS 3										
CLASS 4										
CLASS 5										
Camper	11'	12'	13'	14'	15'	16'				
lbs	1100	1200	1300	1400	1500	1600				
Vacation	14'	16'	18'	20'	22'	24'	26'	28'	30'	32'
lbs	2100	2400	2700	3000	3300	3600	3900	4200	4500	4800
Vacation	14'	16'	18'	20'	22'	24'	26'	28'	30'	32'
lbs	2800	3200	3600	4000	4400	4800	5200	5600	6000	6400
5th Wheel										

Refer to owner's manual for towing capabilities and limitations.

Ball Mount

The ball mount is placed inside the opening of the receiver hitch which is mounted to the vehicle. Make sure a hitch pin and clip is properly securing the ball mount to the receiver hitch before you begin towing.

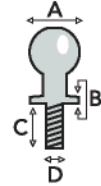
- A: Rise. B: Drop. C: Hole Size. D: Length.



Trailer Ball

The connection from the hitch to the trailer. There are many factors that determine the correct hitch ball:

- Number one is the hitch ball's gross trailer weight rating.
- The mounting platform must be at least 3/8" thick.
- The hole diameter must not be more than 1/16" larger than the threaded shank.
- Every time you tow, check the nut and lock washer to make sure they are fastened securely.
- A: Ball Dia. B: Shank Dia. C: Shank Length. D: Shank Rise.



Coupler

The component that is placed over the trailer ball to connect the vehicle to the trailer. Be sure that the coupler size matches the size of the hitch ball and that the coupler handle is securely fastened. To determine what size hitch ball you need for your application you will need to know the size of coupler that is on the trailer. Be sure your coupler is properly adjusted to the ball you are using.

NOTE: For added security the use of safety devices such as Coupler Safety Pins and Locks is strongly recommended.

Safety Chains

Safety chains are a requirement and should be crossed under the tongue of the trailer so that the tongue will not drop to the road if it becomes separated from the hitch. Always leave enough slack so you can turn. Never allow the safety chains to drag on the ground and never attach the chains to the bumper.

Trailer Classification: Safety Chain Breaking Force - Minimum

Class 1: 2,000 lbs. (8.9 kN)

Class 2: 3,500 lbs. (15.6 kN)

Class 3: 5,000 lbs. (22.2 kN)

The strength rating of each length of safety chain or its equivalent and its attachments shall be equal to or exceed in minimum breaking force the GVWR (Gross Vehicle Weight Rating) of the trailer.

Electrical

Trailer lights, Electric Brakes, Break-away systems - Every time you tow, be sure to check that all components are working properly.

Wiring identification by color:



11527

BUICK ENCORE/CHEVROLET TRAX

GROSS LOAD CAPACITY WHEN USED AS A WEIGHT CARRYING HITCH: 2,000 LBS. TRAILER WEIGHT & 200 LBS. TONGUE WEIGHT.

WARNING: ALL NON-TRAILER (WHEEL-LESS) LOADS APPLIED TO THIS PRODUCT MUST BE SUPPORTED BY 18050 STABILIZING STRAPS.

WARNING: ** FAILURE TO PROPERLY SUPPORT NON-TRAILER LOADS WILL VOID PRODUCT WARRANTY **

WARNING: * DO NOT EXCEED VEHICLE MANUFACTURER'S RECOMMENDED TOWING CAPACITY *****



Parts List			
ITEM	QTY	PART NUMBER	DESCRIPTION
1	6	7_16 - 14 x 1 1/4 CARRIAGE (GRADE 8)	CARRIAGE BOLT
2	6	7_16 FISHWIRE	7/16" FISHWIRE
3	6	CM-SP2	.250 x .88 x 2.25" SQUARE HOLE SPACER
4	6	7/16-14	HEX FLANGE NUT
5	4	M12-1.25 x 30mm	HEX BOLT
6	4	1/2 CONICAL TOOTHED WASHER	WASHER, CONICAL, TOOTHED, 1/2"
7	4	M12-1.75 x 30mm	HEX BOLT

RUBBER ISOLATOR REMOVAL DIAGRAM

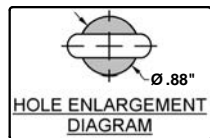
This technique can be used if an Exhaust Hanger Removal Pliers is not available.

Using a 5/8" open end wrench, slide the wrench up to the rubber isolator, cradling the hanger rod as shown. Next place the flat edge of a pry bar between the wrench and the hanger stop or hanger rod. Then simply rotate the pry bar toward the wrench to remove the rubber isolator.

Note: Using a spray lubricant or soapy water on the hanger rod and the rubber isolator helps removal.

HARDWARE USAGE WILL VARY WITH APPLICATION

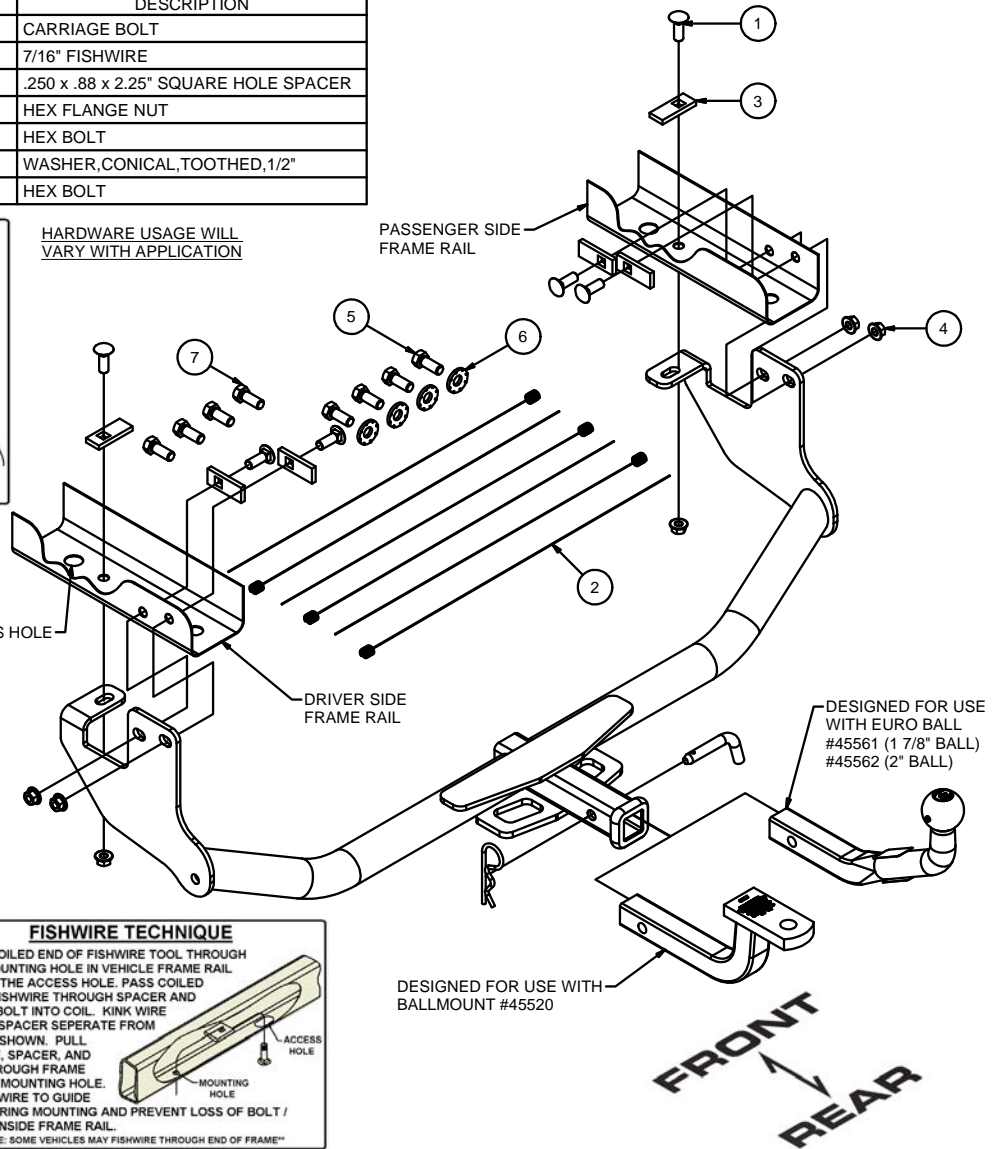
PASSENGER SIDE FRAME RAIL



ENLARGE ACCESS HOLE (BOTH SIDES)

TOOLS REQUIRED

SPRAY LUBRICANT
DIE GRINDER
RATCHET
SOCKET EXTENSION
11/16", 3/4" SOCKETS
TORQUE WRENCH



DESIGNED FOR USE WITH BALLMOUNT #45520

FRONT
REAR

HITCH WEIGHT: 25 LBS.

INSTALL TIME

PROFESSIONAL: 30 MINUTES

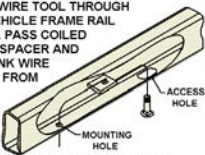
NOVICE (DIY): 60 MINUTES

INSTALL NOTES:

- LOWER EXHAUST
- PLASTIC TRIMMING
- HOLE ENLARGEMENT
- FISHWIRING REQUIRED

FISHWIRE TECHNIQUE

INSERT COILED END OF FISHWIRE TOOL THROUGH HITCH MOUNTING HOLE IN VEHICLE FRAME RAIL AND OUT THE ACCESS HOLE. PASS COILED END OF FISHWIRE THROUGH SPACER AND THREAD BOLT INTO COIL. KINK WIRE TO KEEP SPACER SEPARATE FROM BOLT AS SHOWN. PULL FISHWIRE, SPACER, AND BOLT THROUGH FRAME AND OUT MOUNTING HOLE. USE FISHWIRE TO GUIDE HITCH DURING MOUNTING AND PREVENT LOSS OF BOLT / SPACER INSIDE FRAME RAIL.



NOTE: SOME VEHICLES MAY FISHWIRE THROUGH END OF FRAME

INSTALLATION STEPS

- 1) Lower rear exhaust hangers from one location on each side of the vehicle. For ease of installation, the exhaust can also be lowered in one location at the front center of the vehicle. This location will need to be lowered slowly and supported from underneath during install. Caulking may need to be trimmed around side mounting holes if present.
- 2) On some model years the wheel well plastic on each side of the vehicle near the frame rails will need to be trimmed to provide a flush fit for the hitch side plates. Be sure to avoid the vehicle brake lines when cutting the plastic away.
- 3) Enlarge the access holes in the vehicle frame in order to fit the SP2 spacers provided in the hardware kit. Be sure to avoid the vehicle brake lines when cutting the frame material away.
- 4) Fishwire spacers and 7/16" bolts through access holes and into the bottom mounting holes in the vehicle frame. Raise hitch into position and loosely secure in place with the 7/16" nuts provided.
- 5a) If no weldnuts exist in frame, fishwire the hardware for the side mounting points through the framerail and the hitch side plates. Secure all 7/16" hardware.
 - b) If weldnuts exist in frame, then secure hitch with M12 bolts and 1/2" conical washers in the side mounting points.
- 6) Torque all 7/16" hardware to 70 lb-ft. Torque all M12 hardware to 86 lb-ft. Raise exhaust hangers back into position.

PERIODICALLY CHECK THIS RECEIVER HITCH TO ENSURE THAT ALL FASTENERS ARE TIGHT AND THAT ALL STRUCTURAL COMPONENTS ARE SOUND.