

**C-665 SUBKIT****2000-2006 TOYOTA TUNDRA  
LONG AND SHORT BED**

**WARNING!!** BRAKE, FUEL, AND ELECTRICAL LINES MAY NEED TO BE LOOSENEED OR REPOSITIONED TO PROVIDE CLEARANCE FOR NEW HARDWARE. ALL MODELS REQUIRE MODIFICATION OR REMOVAL OF HEAT SHIELDS. ON SHORT BED MODELS, CHECK FOR ADEQUATE TURNING CLEARANCE BETWEEN THE FRONT OF ALL TRAILERS AND THE TRUCK CAB.

**WARNING!!** ON TWO WHEEL DRIVE TRUCKS A CLEARANCE CHECK MUST BE PERFORMED WHEN TRUCK IS LOADED AND UNLOADED TO VERIFY THE INVERTED BALL WILL NOT INTERFERE WITH THE TOP OF THE DIFFERENTIAL.

**INSTALLATION STEPS****BEFORE INSTALLING**

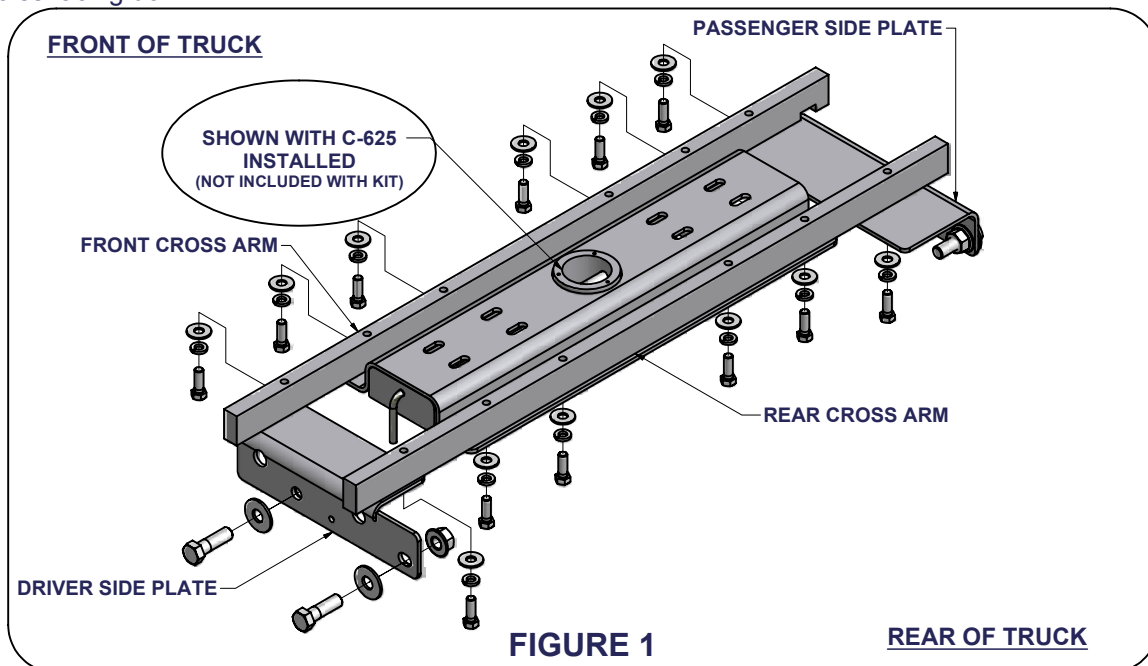
An overhead lifting device, such as chain falls, engine hoist, or cable come-a-long, can be used to lift the center section of the hitch in place. Lower a loop of rope or chain through the 4" hole in the truck bed floor and attach it to the round hitch receiver tube in the center section. Use the lifting device to raise the center section until the round hitch receiver tube that protrudes from the center section fits in the 4" hole in the truck bed floor. Maintaining upward pressure may facilitate fastening the cross-member to the center section, especially if the truck bed floor has been distorted downward from heavy use. If you use an overhead-lifting device, it should be disconnected before squaring the center section across the frame, installing the sideplates and torquing fasteners.

1. Mark the location for the hole in the truck bed. Measure from the tail gate end of the truck bed, by hooking a tape measure over the **back of the truck box** and marking the correct location. **(NOTE: DO NOT MEASURE FROM EDGE OF TAILGATE)** Next, mark the center between the wheel wells. This marks the center point for the 4" hole. This hole location is critical for the correct installation of this hitch. Measure, mark, and saw carefully. This location will put the ball 4"-6" in front of the axle.

<b>Short Bed Installation</b>	<b>46 1/4"</b>
<b>Long Bed Installation</b>	<b>46 1/4"</b>

**NOTE:** If truck has a plastic bed liner, you may drill through both, but it is more difficult to accurately locate the midpoint between the wheel wells, and to keep the bed liner from moving while cutting the hole. Cut a 4" hole at this location using a 4" hole saw, or by making a 4" circle and cutting it out with a saber saw equipped with a metal cutting blade.

2. Before positioning the cross arms, move the electrical wire harness by pulling the plastic clips loose from the driver's side frame rail. Install both cross arms by sliding them above the frame from either the driver side or the passenger side of the truck above the tires in the wheel wells, as shown. Select the front cross arm. The front cross arm has a notch at one end for clearance over a frame rivet. With the threaded holes down and the notch located on the passenger side of the truck, position the bar to where it is on top of the frame and in front of the bed cross member forward of the 4" hole. Now place the rear cross arm above the frame behind the bed cross member and rearward of the 4" hole with the threaded holes facing down.

**FIGURE 1****REAR OF TRUCK**

**\*\*DO NOT EXCEED RECOMMENDED VEHICLE TOWING WEIGHT!\*\***

## C-665 SUBKIT

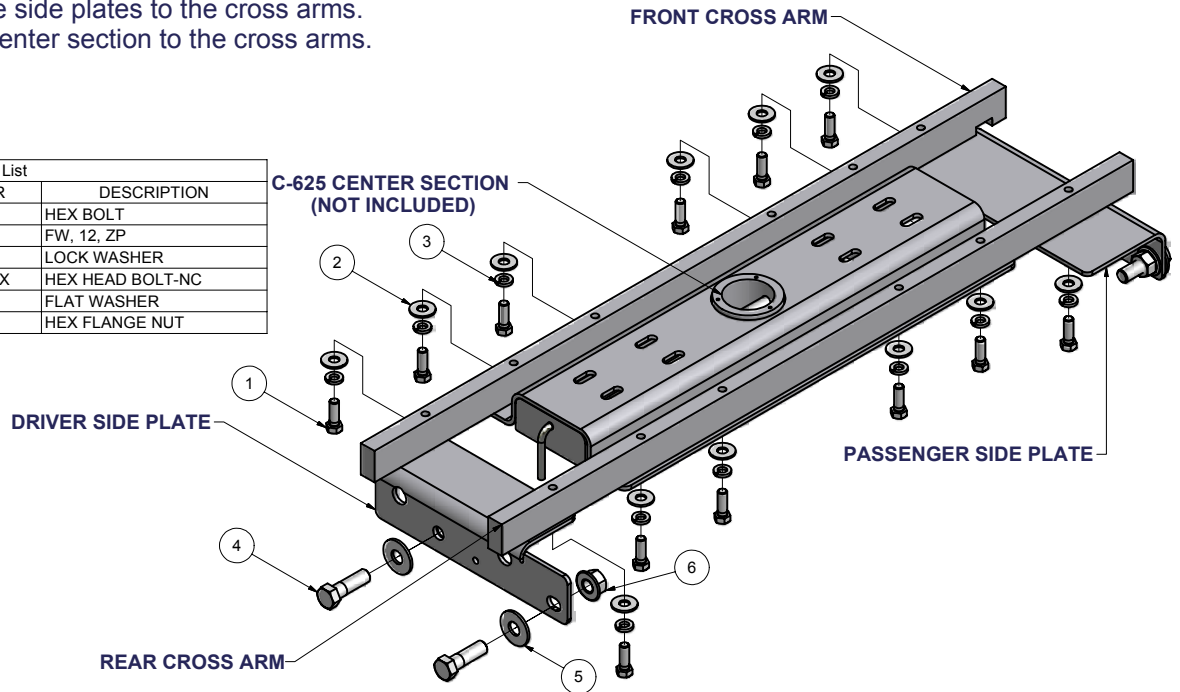
2000-2006 TOYOTA TUNDRA  
LONG AND SHORT BED

**WARNING!!** BRAKE, FUEL, AND ELECTRICAL LINES MAY NEED TO BE LOOSENED OR REPOSITIONED TO PROVIDE CLEARANCE FOR NEW HARDWARE. ALL MODELS REQUIRE MODIFICATION OR REMOVAL OF HEAT SHIELDS. ON SHORT BED MODELS, CHECK FOR ADEQUATE TURNING CLEARANCE BETWEEN THE FRONT OF ALL TRAILERS AND THE TRUCK CAB.

### Installation Steps

3. Raise the center section into position between the cross arms from beneath the truck. The round receiver tube that protrudes from the center section must fit through the hole in the truck bed floor. If you are using an overhead-lifting device, attach it to the receiver tube to help support the center section. Align the holes in the cross arms with the center section and fasten the center section to the cross arms using (8) 1/2" x 1 1/2" bolts, with a lock washer and flat washer on each. Use the overhead lifting device to put some upward pressure on the center section if necessary to aid alignment.
4. Install the sideplates at this time to the inside of the truck frame. On the driver's side, inside of the frame, loosen the brake lines by removing the plastic clip holder from the frame. Hitting the plastic stud from the outside of the frame with a hammer will easily get it loose. Pull the brake lines away from the frame only far enough to slip the side plate in behind them. The side plates are bent plates with the wider of the two sides being the top. The two slots in the top align with the cross arms. The driver side plate has a large notch removed from the back end. Install 1/2" x 1 1/2" bolts with flat washers and lock washers through the plate into the cross arms **finger tight only**. The vertical side of each plate has large holes that align with existing holes in the truck frame. Install the 3/4" x 2" bolts with a flat washer through from the outside of the frame to the inside. **Finger tight only** with 3/4" flange nuts.
5. With the sideplates installed on both sides, torque all 1/2" fasteners to 75 ft-lbs, and 3/4" fasteners to 260 ft-lbs in the following order:  
**First:** Torque the side plates to the frame.  
**Second:** Torque the side plates to the cross arms.  
**Third:** Torque the center section to the cross arms.

Parts List			
ITEM	QTY	PART NUMBER	DESCRIPTION
1	12	1/2 - 13 x 1 1/2	HEX BOLT
2	12	FW12	FW, 12, ZP
3	12	1/2"	LOCK WASHER
4	4	3 4 - 10 x 2 1/2 HEX	HEX HEAD BOLT-NC
5	4	3 4 FW	FLAT WASHER
6	4	3 4 - 10 HFN	HEX FLANGE NUT



**(REFER TO GOOSENECK HITCH INSTRUCTIONS FOR INSTALLATION AND OPERATING PROCEDURES)**

### Maintenance (Required every 30 days or prior to use)

1. Keep hitch ball lubricated regularly. Use silicone spray or equivalent to prevent wear and rust.
2. Keep hitch assembly free of dirt and other foreign debris.
3. Check for proper torque on all nuts and bolts before each use. Also check for excessive wear.
4. Check for ball wear before each use. **(Note: Do not tow trailer with worn or damaged parts.)**

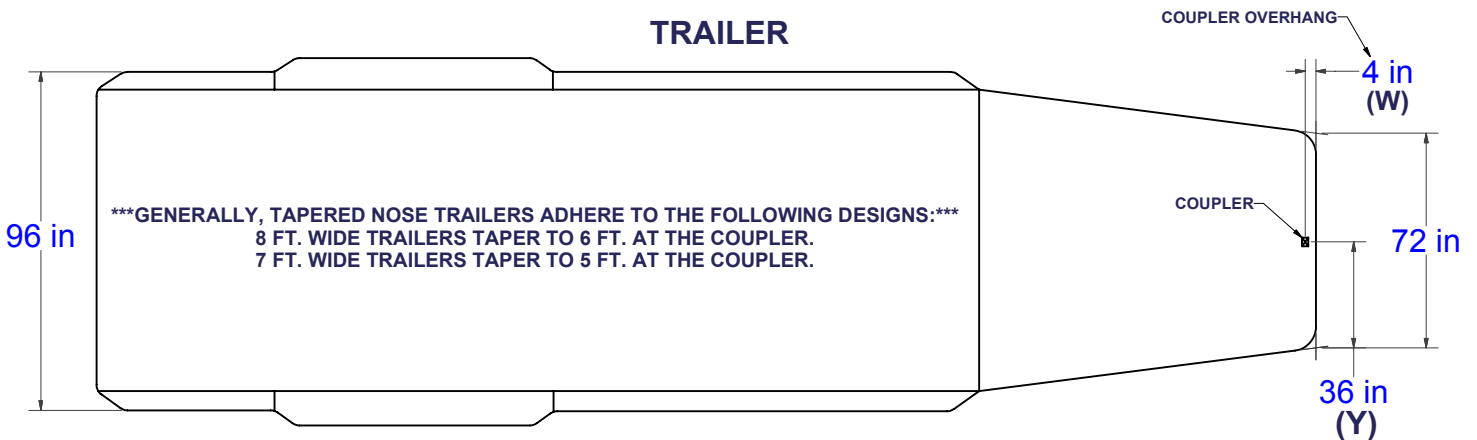
Curt Manufacturing Inc., warrants this product to be free of defects in material or workmanship at the time of retail purchase by the original purchaser. If the product is found to be defective, Curt Manufacturing Inc., may repair or replace the product, at their option, when the product is returned, prepaid, with proof of purchase. Alteration to, misuse of, or improper installation of this product voids the warrant. Curt Manufacturing Inc.'s liability is limited to repair or replacement of products found to be defective, and specifically excludes liability for incidental or consequential loss or damage.

\*\*\*DO NOT EXCEED VEHICLE MANUFACTURER'S RECOMMENDED TOWING CAPACITY.\*\*\*

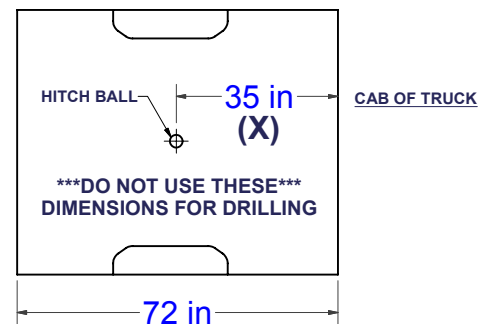
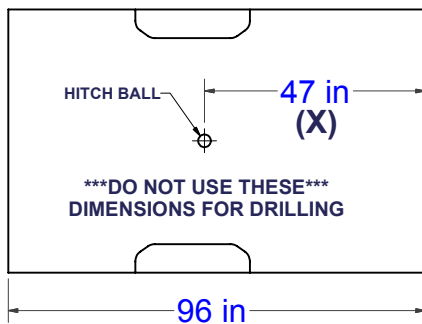
## CAB TO TRAILER CLEARANCE

\*\*REMOVAL OF REAR WINDOW ACCESSORIES MAY BE REQUIRED.\*\*

### TRAILER



### LONG & SHORT TRUCK BEDS



### CLEARANCE CALCULATION

$$(CAB TO BALL CENTER) - \frac{1}{2} (TRAILER WIDTH) = (MINIMUM CLEARANCE)$$

$$(X) - (Y) = (Z)$$

IF THERE IS AN OVERHANG FROM THE COUPLER THEN THE EQUATION IS:

$$[(X) - (W)] - (Y) = (Z)$$

\*\*\*IF (Z) IS POSITIVE, TRAILER **WILL NOT** INTERFERE WITH CAB OF TRUCK.\*\*\*  
 IF (Z) IS NEGATIVE, TRAILER **WILL** INTERFERE WITH CAB OF TRUCK!!!

#### EXAMPLE:

##### STANDARD TRAILER

$$X - Y = Z$$

$$35 - 36 = -1$$

(TRAILER **WILL INTERFERE** WITH CAB)

##### TRAILER WITH OVERHANG

$$[(X) - (W)] - Y = Z$$

$$[35 - 4] - 36 = -5$$

(TRAILER **WILL INTERFERE** WITH CAB)

#### YOUR CALCULATION:

(CAB TO BALL CENTER) \_\_\_\_\_

(COUPLER OVERHANG) - \_\_\_\_\_

1/2 (TRAILER WIDTH) - \_\_\_\_\_

(MINIMUM CLEARANCE) = \_\_\_\_\_

Curt Manufacturing Inc., warrants this product to be free of defects in material or workmanship at the time of retail purchase by the original purchaser. If the product is found to be defective, Curt Manufacturing Inc., may repair or replace the product, at their option, when the product is returned, prepaid, with proof of purchase. Alteration to, misuse of, or improper installation of this product voids the warrant. Curt Manufacturing Inc.'s liability is limited to repair or replacement of products found to be defective, and specifically excludes liability for incidental or consequential loss or damage.