

****DO NOT EXCEED RECOMMENDED VEHICLE TOWING WEIGHT!****

60645 SUBKIT

FORD F-250, F-350

7/17/2014

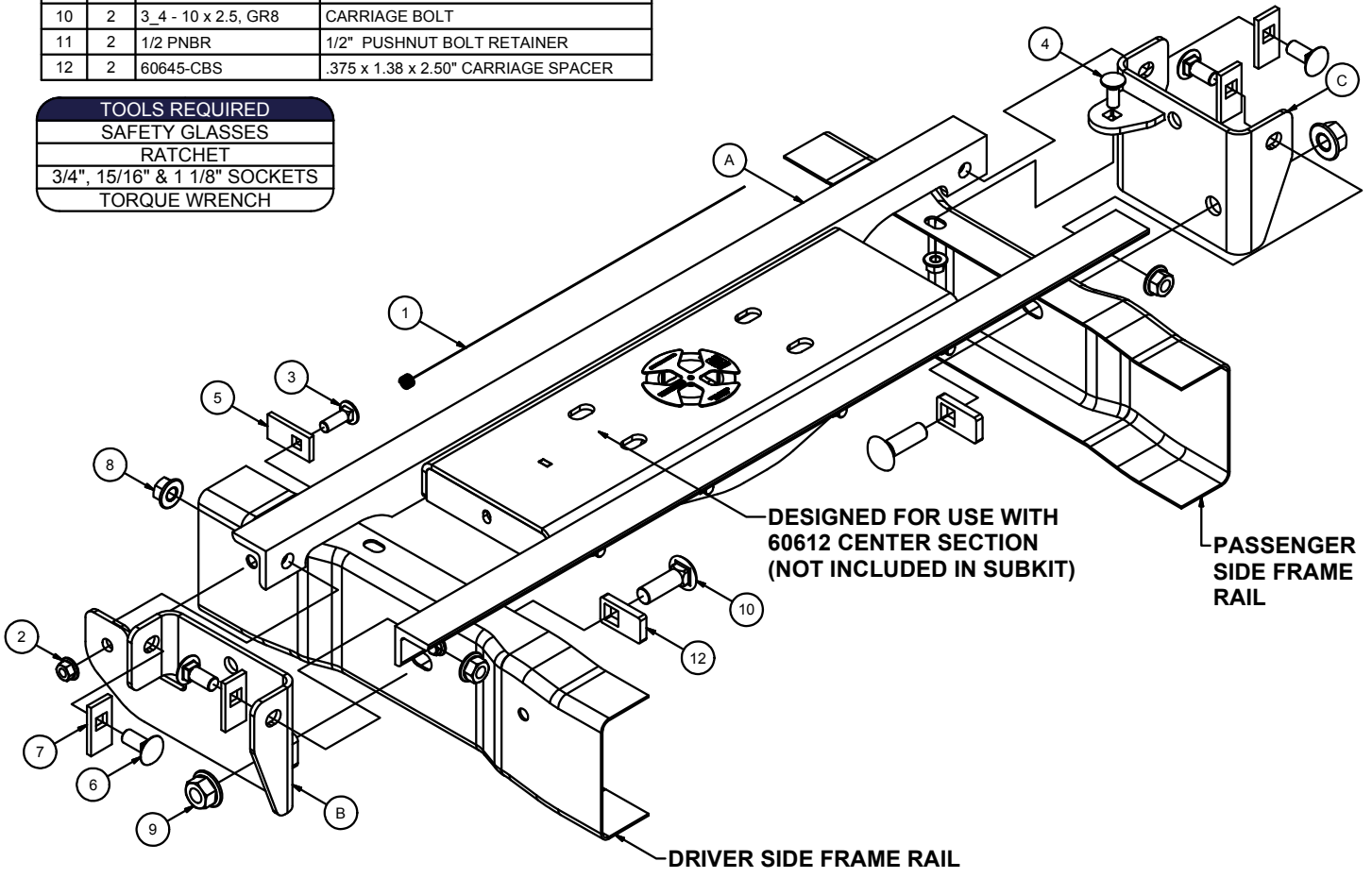
PAGE 1 OF 4

WARNING!! BRAKE, FUEL, AND ELECTRICAL LINES MAY NEED TO BE LOOSENED OR REPOSITIONED TO PROVIDE CLEARANCE FOR NEW HARDWARE. ALL MODELS REQUIRE MODIFICATION OR REMOVAL OF HEAT SHIELDS. ON SHORT BED MODELS, CHECK FOR ADEQUATE TURNING CLEARANCE BETWEEN THE FRONT OF ALL TRAILERS AND THE TRUCK CAB. ON TWO WHEEL DRIVE TRUCKS A CLEARANCE CHECK MUST BE PERFORMED WHEN TRUCK IS LOADED AND UNLOADED TO VERIFY THE INVERTED BALL WILL NOT INTERFERE WITH THE TOP OF THE DIFFERENTIAL

Hardware			
ITEM	QTY	PART NUMBER	DESCRIPTION
1	1	1_2 FISHWIRE	1/2" FISHWIRE
2	10	HFN 1213, GR8	HEX FLANGE NUT
3	9	1/2-13 x 1 1/2, GR8	CARRIAGE BOLT
4	1	1/2-13 x 1 1/4, GR8	CARRIAGE BOLT
5	1	CM-SP17	.250 x 1.25 x 2.50" SQUARE HOLE SPACER
6	4	5/8-11 x 1 1_2, GR8	CARRIAGE BOLT
7	4	CM-SP9	.250 x 1.25 x 2.50" SQUARE HOLE SPACER
8	4	5/8-11	HEX FLANGE NUT
9	2	3_4 - 10 HFN, GR8	HEX FLANGE NUT
10	2	3_4 - 10 x 2.5, GR8	CARRIAGE BOLT
11	2	1/2 PNBR	1/2" PUSHNUT BOLT RETAINER
12	2	60645-CBS	.375 x 1.38 x 2.50" CARRIAGE SPACER

Parts List			
ITEM	QTY	PART NUMBER	DESCRIPTION
A	2	60645-CA	2.00 x 2.00 x .375" CROSS ARM
B	1	60645-DSWA	DRIVER SIDE PLATE
C	1	60645-PSWA	PASSENGER SIDE PLATE

TOOLS REQUIRED
 SAFETY GLASSES
 RATCHET
 3/4", 15/16" & 1 1/8" SOCKETS
 TORQUE WRENCH



SUBKIT WEIGHT: 38 LBS.

INSTALL TIME

PROFESSIONAL: 45 MINUTES

NOVICE (DIY): 90 MINUTES

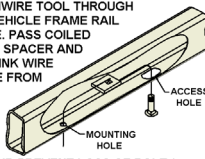
INSTALL NOTES:

- NO MEASURING DRILL LOCATIONS
- NO DRILLING INTO FRAME
- NO LOWERING EXHAUST
- REMOVE HEAT SHIELD

FISHWIRE TECHNIQUE

INSERT COILED END OF FISHWIRE TOOL THROUGH HITCH MOUNTING HOLE IN VEHICLE FRAME RAIL AND OUT THE ACCESS HOLE. PASS COILED END OF FISHWIRE THROUGH SPACER AND THREAD BOLT INTO COIL. KINK WIRE TO KEEP SPACER SEPERATE FROM BOLT AS SHOWN. PULL FISHWIRE, SPACER, AND BOLT THROUGH FRAME AND OUT MOUNTING HOLE. USE FISHWIRE TO GUIDE HITCH DURING MOUNTING AND PREVENT LOSS OF BOLT / SPACER INSIDE FRAME RAIL.

NOTE: SOME VEHICLES MAY FISHWIRE THROUGH END OF FRAME



PERIODICALLY CHECK THIS GOOSENECK HITCH TO ENSURE THAT ALL FASTENERS ARE TIGHT AND THAT ALL STRUCTURAL COMPONENTS ARE SOUND.

WARNING!! BRAKE, FUEL, AND ELECTRICAL LINES MAY NEED TO BE LOOSENED OR REPOSITIONED TO PROVIDE CLEARANCE FOR NEW HARDWARE. ALL MODELS REQUIRE MODIFICATION OR REMOVAL OF HEAT SHIELDS. ON SHORT BED MODELS, CHECK FOR ADEQUATE TURNING CLEARANCE BETWEEN THE FRONT OF ALL TRAILERS AND THE TRUCK CAB. ON TWO WHEEL DRIVE TRUCKS A CLEARANCE CHECK MUST BE PERFORMED WHEN TRUCK IS LOADED AND UNLOADED TO VERIFY THE INVERTED BALL WILL NOT INTERFERE WITH THE TOP OF THE DIFFERENTIAL

INSTALLATION STEPS:

1. Temporarily remove spare tire.
2. Peel off heat shield which is located under the truck bed above the rear axle.
3. Insert cross arms (A) between the truck bed and frame. The cross arms will be inserted from the outside of the truck in front of the rear tire over the low point on the frame. Insert the first cross arm with the holes facing the front of the truck, as shown in **FIGURE A**. Once it is partially inserted, guide it the rest of the way from underneath the truck. It should span the frame rails and be behind the shock mount bracket on the passenger side. Slide this cross arm as far rearward as possible. Insert the second cross arm in the same manner as the first only positioned so the holes now face the rear of the truck. Do not slide this cross arm rearward yet.
4. Raise the center section into position between the cross arms.
OPTIONAL: Two pushnut bolt retainers (11) are included to give a "helping hand" to the installation process. If desired, put two 1/2" x 1 1/2" carriage bolts (3) in through the centermost slots on the same side of the center section. Be sure the serrations in the bolt retainers are angled away from the center section and push a bolt retainer onto the two carriage bolts. Use one of the included spacers as a tool to push the bolt retainers into position, see **FIGURE B**. **NOTE:** The handle for the gooseneck will come out on the side which the handle guides are located in the center section. Driver side handle placement is shown, see **FIGURE C**. Slide the cross arms to the center section and rotate them into position. The legs of the cross arms with the holes should be against the center section. Attach the cross arms to the center section using eight 1/2" x 1 1/2" carriage bolts (3) and eight 1/2" flange nuts (2). Insert the carriage bolts in through the center and out the cross arms and finger tighten only.
5. Loosely attach driver side plate (B) to frame, see **PAGE 1**. Hold the side plates against the frame and adjust the placement of the cross arms as needed. Attach driver side plate by inserting 1/2" x 1 1/2" carriage bolt (3) with spacer (5) in through the frame and out the plate. **NOTE:** Diesel models will need this hardware fishwired into position. See fishwire technique on **PAGE 1**. Insert 3/4" carriage bolt (10) with spacer (12) through the inside of the frame and out the side plate and attach with 3/4" flange nut (9).
6. Loosely attach the passenger side plate (C) by inserting the 1/2" x 1 1/4" carriage bolt (4) down through the plate tab and frame and attach with 1/2" flange nut (2). Insert 3/4" carriage bolt (10) with spacer (12) through the inside of the frame and out the side plate and attach with 3/4" flange nut (9).

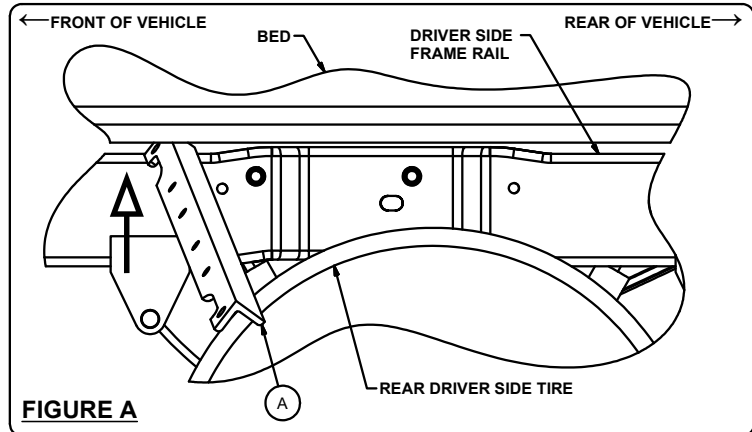


FIGURE A

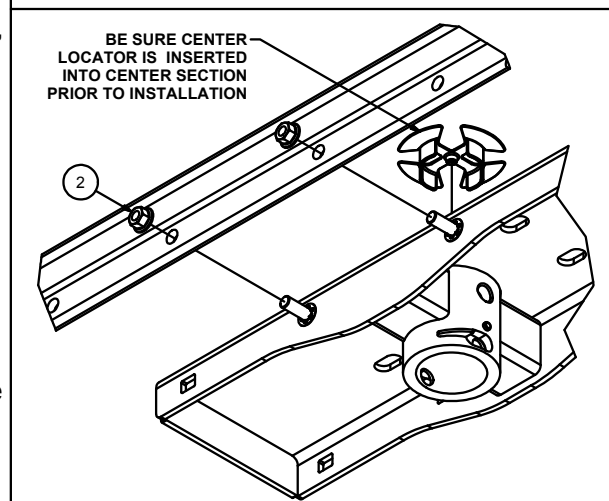
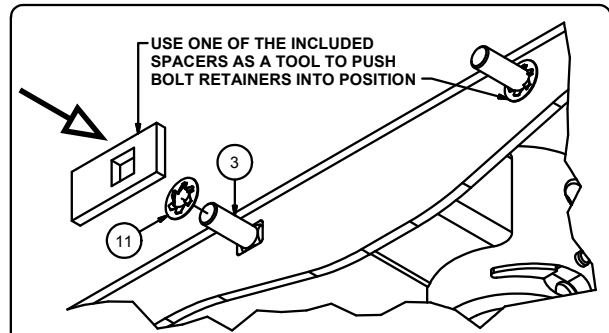


FIGURE B (OPTIONAL "HELPING HAND")

PERIODICALLY CHECK THIS GOOSENECK HITCH TO ENSURE THAT ALL FASTENERS ARE TIGHT AND THAT ALL STRUCTURAL COMPONENTS ARE SOUND.

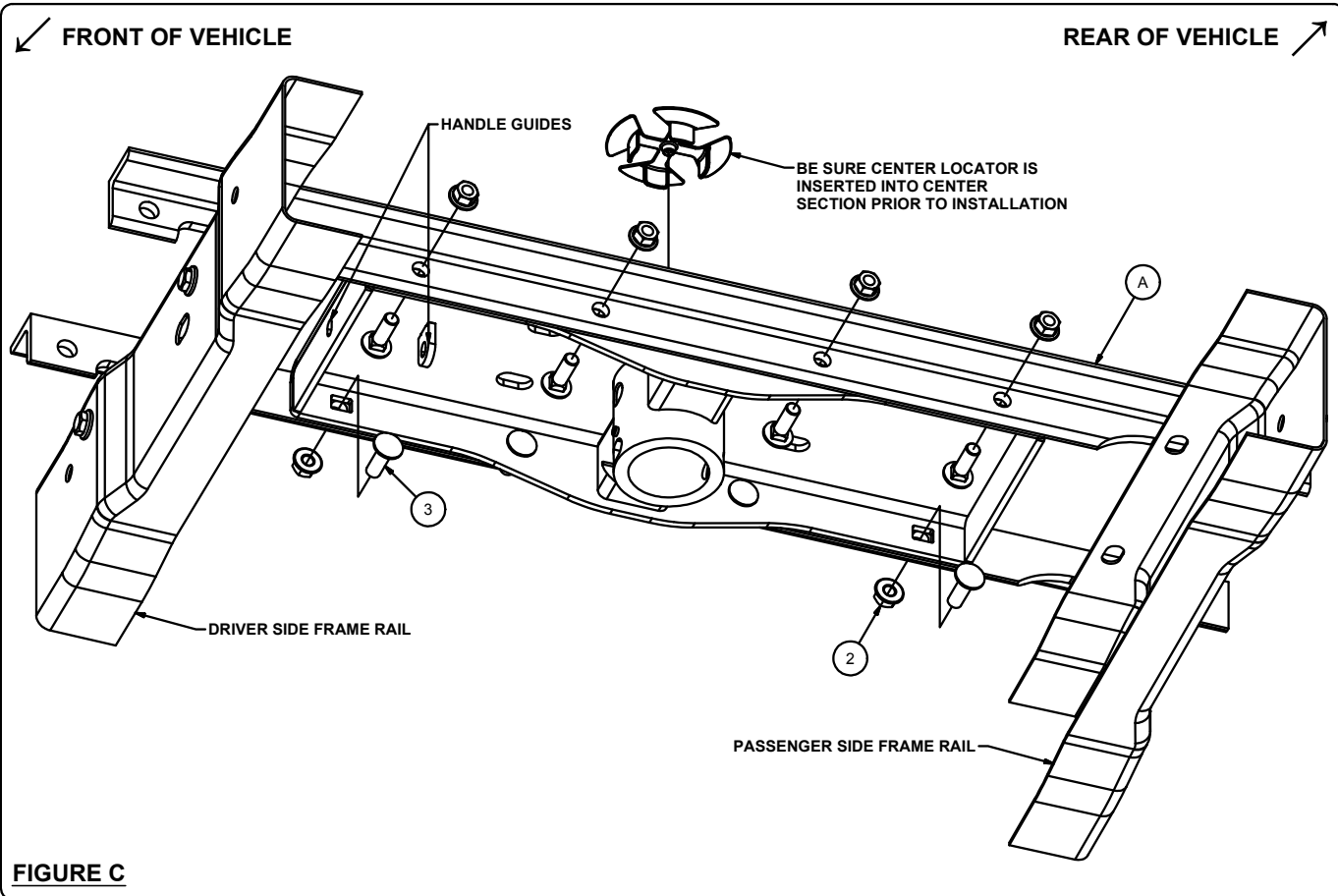
****DO NOT EXCEED RECOMMENDED VEHICLE TOWING WEIGHT!****

60645 SUBKIT

FORD F-250, F-350

PAGE 3 OF 4

WARNING!! BRAKE, FUEL, AND ELECTRICAL LINES MAY NEED TO BE LOOSENED OR REPOSITIONED TO PROVIDE CLEARANCE FOR NEW HARDWARE. ALL MODELS REQUIRE MODIFICATION OR REMOVAL OF HEAT SHIELDS. ON SHORT BED MODELS, CHECK FOR ADEQUATE TURNING CLEARANCE BETWEEN THE FRONT OF ALL TRAILERS AND THE TRUCK CAB. ON TWO WHEEL DRIVE TRUCKS A CLEARANCE CHECK MUST BE PERFORMED WHEN TRUCK IS LOADED AND UNLOADED TO VERIFY THE INVERTED BALL WILL NOT INTERFERE WITH THE TOP OF THE DIFFERENTIAL



7. Loosely attach side plate to the cross arms by inserting the two 5/8" x 1 1/2" carriage bolts (6) with spacers (7) in through the plate and out the cross arms. Attach with two 5/8" flange nuts (8). Repeat on other side.

8. **NOTE:** Be sure the center section is centered on the vehicle by verifying the sides of the center section are in the same location on bed ribs. Torque all fasteners in the following order: **First:** Torque the center section to the front and rear cross arms. **Second:** Torque the side plates to the truck frame on both sides. **Third:** Torque the side plates to the front and rear cross arms. Torque all 3/4" fasteners to 380 ft-lbs, 5/8" fasteners to 210 ft-lbs and 1/2" fasteners to 110 ft-lbs.

(REFER TO 60612 GOOSENECK HITCH INSTRUCTIONS FOR INSTALLATION COMPLETION AND OPERATING PROCEDURES)

PERIODICALLY CHECK THIS GOOSENECK HITCH TO ENSURE THAT ALL FASTENERS ARE TIGHT AND THAT ALL STRUCTURAL COMPONENTS ARE SOUND.

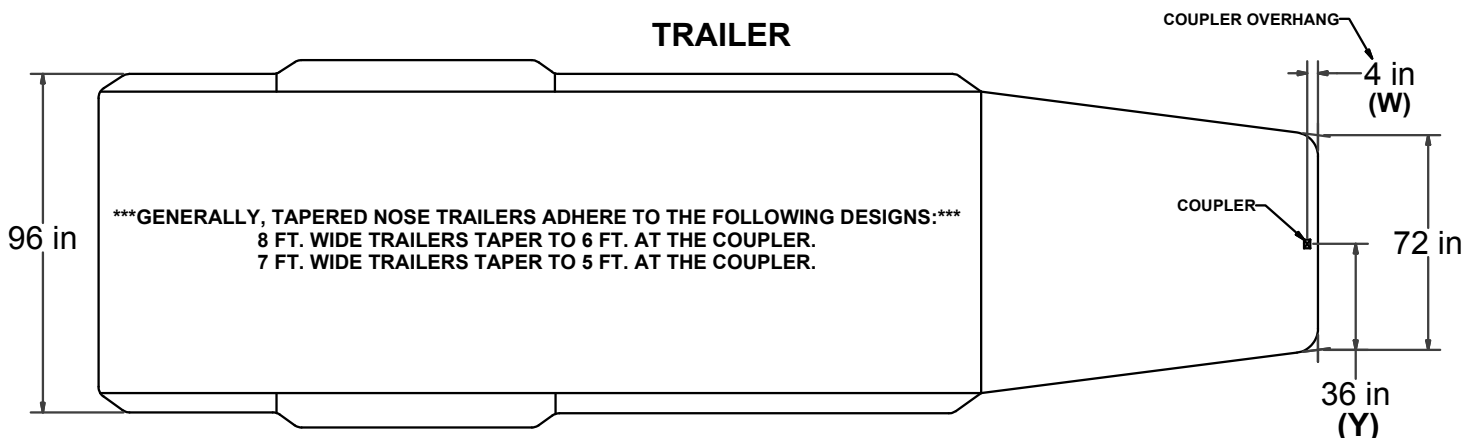
Curt Manufacturing Inc., warrants this product to be free of defects in material and/or workmanship at the time of retail purchase by the original purchaser. If the product is found to be defective, Curt Manufacturing Inc., may repair or replace the product, at their option, when the product is returned, prepaid, with proof of purchase. Alteration to, misuse of, or improper installation of this product voids the warranty. Curt Manufacturing Inc.'s liability is limited to repair or replacement of products found to be defective, and specifically excludes liability for incidental or consequential loss or damage.

****DO NOT EXCEED RECOMMENDED VEHICLE TOWING WEIGHT!****

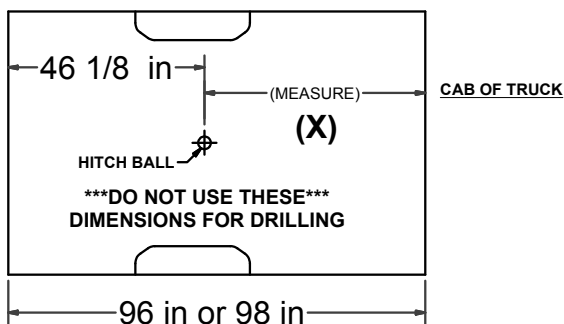
CAB TO TRAILER CLEARANCE

****REMOVAL OF REAR WINDOW ACCESSORIES MAY BE REQUIRED.****

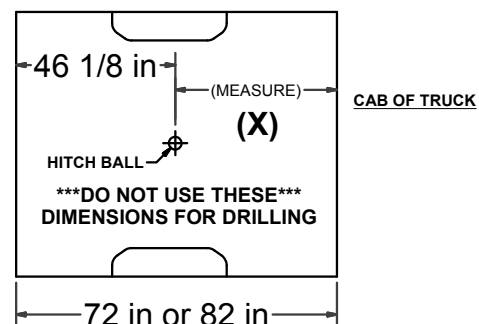
TRAILER



LONG BED



SHORT BED



CLEARANCE CALCULATION

$$\text{(CAB TO BALL CENTER)} - \frac{1}{2} \text{(TRAILER WIDTH)} = \text{(MINIMUM CLEARANCE)}$$

$$(X) - (Y) = (Z)$$

IF THERE IS AN OVERHANG FROM THE COUPLER THEN THE EQUATION IS:

$$[(X) - (W)] - (Y) = (Z)$$

*****IF (Z) IS POSITIVE, TRAILER WILL NOT INTERFERE WITH CAB OF TRUCK.*****
IF (Z) IS NEGATIVE, TRAILER WILL INTERFERE WITH CAB OF TRUCK!!!

EXAMPLE:

STANDARD TRAILER

$$X - Y = Z$$

$$35 - 36 = -1$$

(TRAILER **WILL INTERFERE** WITH CAB)

TRAILER WITH OVERHANG

$$[(X) - (W)] - Y = Z$$

$$[35 - 4] - 36 = -5$$

(TRAILER **WILL INTERFERE** WITH CAB)

YOUR CALCULATION:

(CAB TO BALL CENTER) _____

(COUPLER OVERHANG) _____

1/2 (TRAILER WIDTH) = _____

(MINIMUM CLEARANCE) _____

Curt Manufacturing Inc., warrants this product to be free of defects in material and/or workmanship at the time of retail purchase by the original purchaser. If the product is found to be defective, Curt Manufacturing Inc., may repair or replace the product, at their option, when the product is returned, prepaid, with proof of purchase. Alteration to, misuse of, or improper installation of this product voids the warranty. Curt Manufacturing Inc.'s liability is limited to repair or replacement of products found to be defective, and specifically excludes liability for incidental or consequential loss or damage.