



Safety glasses should be worn at all times while installing this product.

YEARS: 2016

MAKE: NISSAN

MODEL: TITAN XD

STYLE: TRUCK



**WARNING: NEVER EXCEED YOUR VEHICLE MANUFACTURER'S RECOMMENDED TOWING CAPACITY**

**WEIGHT CARRYING:**

TRAILER WEIGHT: 5000 LBS.  
TONGUE WEIGHT: 500 LBS.

**GROSS LOAD CAPACITY WHEN USED AS A STRAIGHT LINE PULL:  
9,000 LBS MAX.**

**PRO INSTALL TIME: 20 MIN.**  
**NOVICE INSTALL TIME: 40 MIN.**

*IF YOU ARE HESITANT TO UNDERTAKE THIS TASK ON YOUR OWN, CONTACT AN AUTHORIZED CURT INSTALLER FOR ADDITIONAL ASSISTANCE.*

**INSTALLATION TIPS:**

1. BEFORE YOU BEGIN INSTALLATION, READ ALL INSTRUCTIONS THOROUGHLY.
2. TO EASE INSTALLATION, 2 PEOPLE MAY BE REQUIRED.
3. USING PROPER TOOLS WILL GREATLY IMPROVE THE QUALITY OF THE INSTALL AND REDUCE THE TIME REQUIRED.

**VEHICLE PHOTO:**



REPRESENTATIVE PHOTO

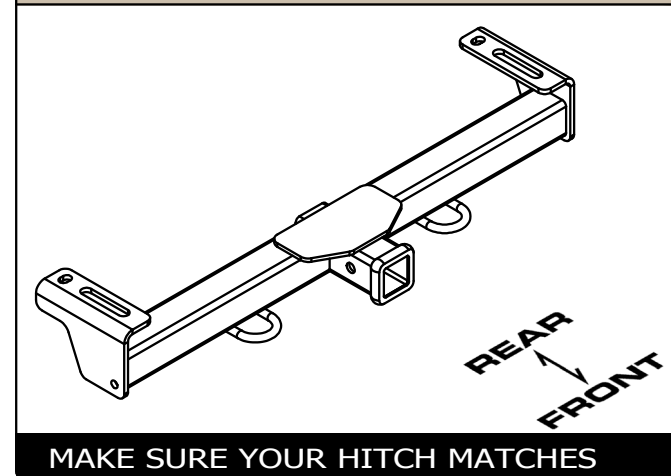
**INSTALLATION REQUIRES:**

 <b>17mm 19mm</b> <b>SOCKET</b>	 <b>9"</b> <b>SOCKET EXTENSION</b>	 <b>RATCHET</b>
 <b>TORQUE WRENCH</b>	 <b>19mm</b> <b>SOCKET TORQUE ADAPTER</b>	 <b>SAFETY GLASSES</b>

**LEVEL OF DIFFICULTY: EASY**

<b>EASY</b>	<b>MODERATE</b>	<b>CHALLENGING</b>
	WELDNUT CLEANING MAY BE REQUIRED	
	NO DRILLING REQUIRED	

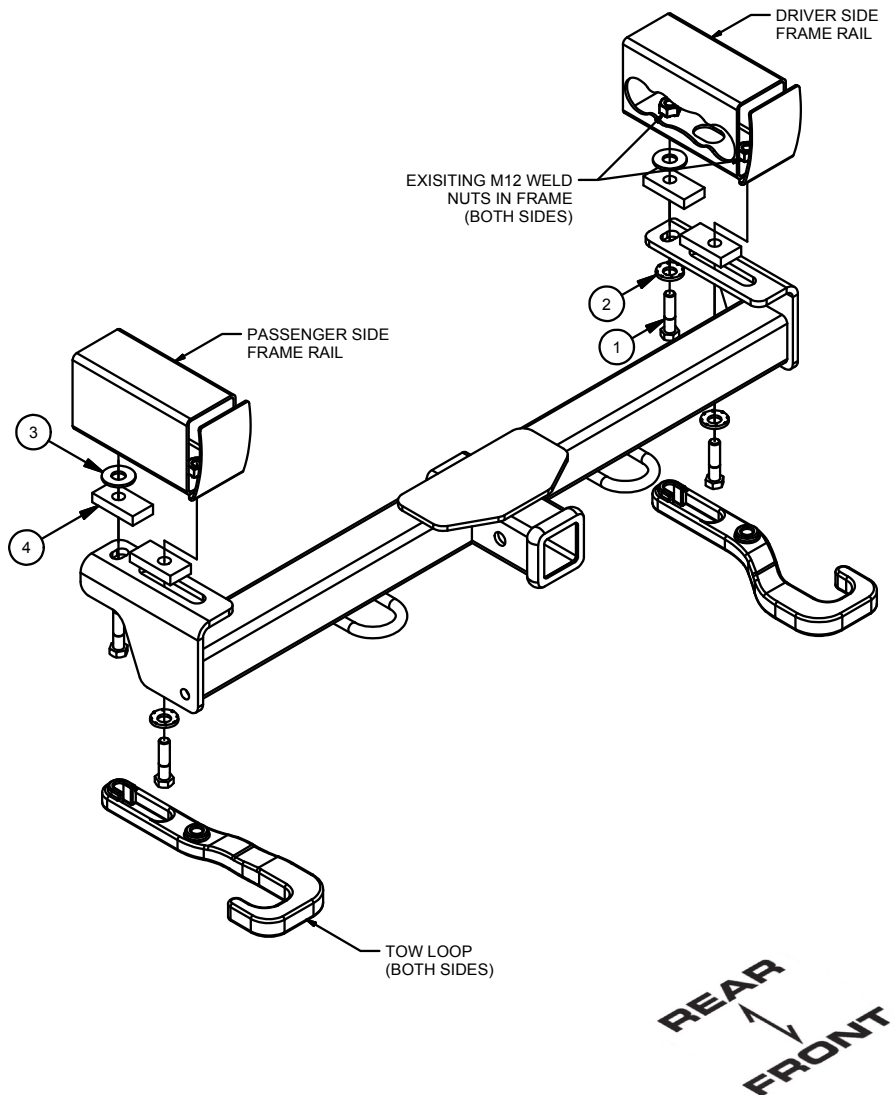
**HITCH ILLUSTRATION:**



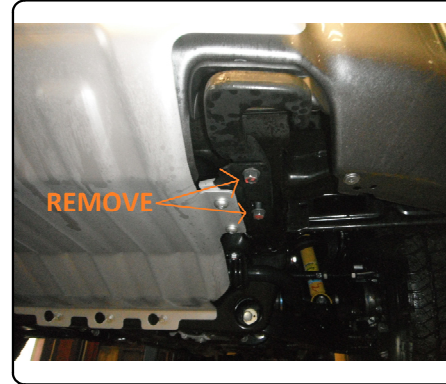
MAKE SURE YOUR HITCH MATCHES

## INSTALLATION WALKTHROUGH:

Parts List			
ITEM	QTY	PART NUMBER	DESCRIPTION
1	4	M12 - 1.75 x 50mm	HEX BOLT
2	4	9/16" CONICAL WASHER	CONICAL TOOTHED WASHER
3	2	9_16 WASHER USS FLAT	FLAT WASHER
4	4	CM-SP52	.500 x 1.25 x 2.50" ROUND HOLE SPACER



1. Remove two (2) hex bolts and one (1) tow loop from bottom of each frame rail and return to vehicle owner. These will be replaced with the included M12 hardware.



2. Insert one (1) hex bolt, one (1) 9/16" conical toothed washer and one (1) CM-SP52 through rear end of each side plate slot. Slide hitch in over tow loop plate. Loosely insert hex bolt into forward most weldnut in each frame.



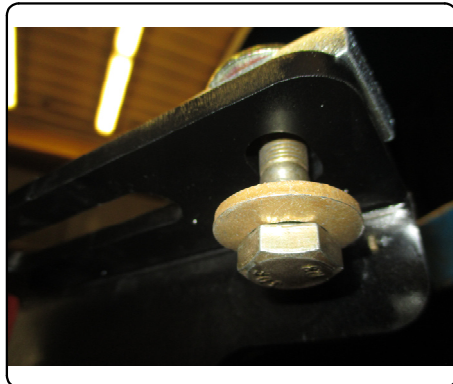
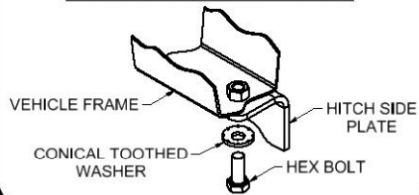
## INSTALLATION WALKTHROUGH:

3. Slide hitch rearward into position. Place one (1) 9/16" flat washer on top of one (1) CM-SP52 and set on top of each side plate aligned with rear most hole.



4. Insert one (1) M12 hex bolt with one (1) 9/16" conical toothed washer through side plate, CM-SP52 spacer and 9/16" flat washer into each rear most weldnut.

### CONICAL TOOTHED WASHER ORIENTATION DIAGRAM



5. Secure all M12 fasteners with socket wrench. A 19mm end wrench may be used to secure forward most bolt.



6. Torque all M12 fasteners to 86 ft-lbs. Use a 19mm socket torque adapter to torque front bolts.



31077

## NISSAN TITAN XD

GROSS LOAD CAPACITY WHEN USED AS A WEIGHT CARRYING HITCH: 5000/500 LBS. TRAILER WEIGHT & N/A LBS. TONGUE WEIGHT.  
GROSS LOAD CAPACITY WHEN USED AS A STRAIGHT LINE PULL: 9,000 LBS. MAX. LINE PULL.



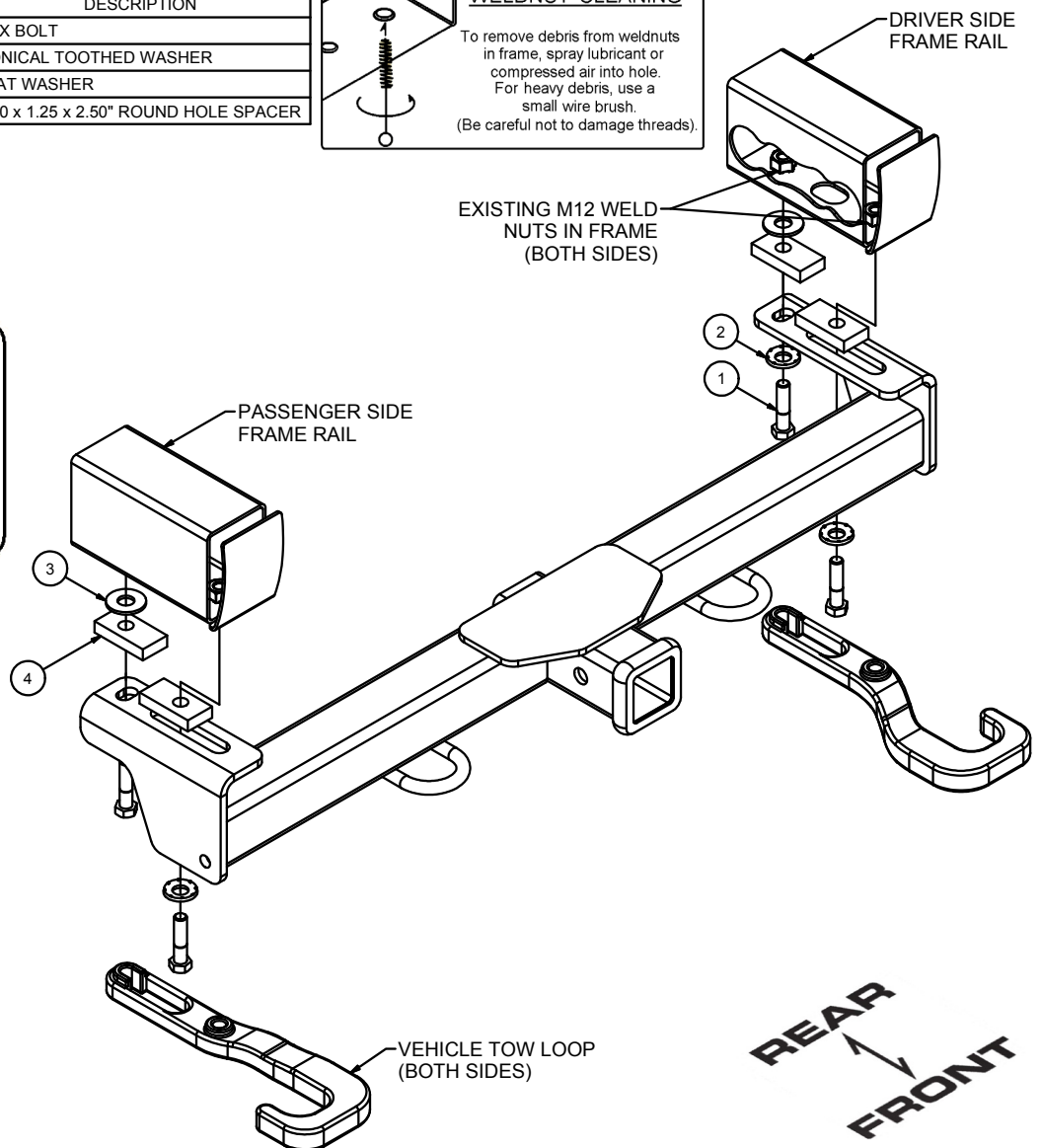
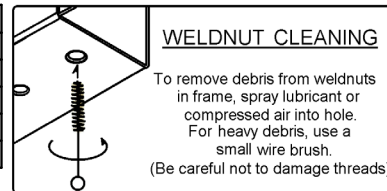
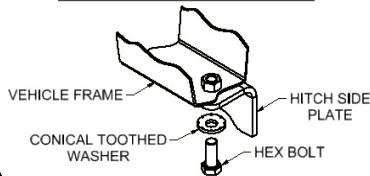
**WARNING: \*\*\* DO NOT EXCEED VEHICLE MANUFACTURER'S RECOMMENDED TOWING CAPACITY. \*\*\***



Parts List			
ITEM	QTY	PART NUMBER	DESCRIPTION
1	4	M12 - 1.75 x 50mm	HEX BOLT
2	4	9/16" CONICAL WASHER	CONICAL TOOTHED WASHER
3	2	9_16 WASHER USS FLAT	FLAT WASHER
4	4	CM-SP52	.500 x 1.25 x 2.50" ROUND HOLE SPACER

TOOLS REQUIRED
17mm/19mm SOCKET
9" EXTENSION
RATCHET
19mm SOCKET TORQUE ADAPTER
TORQUE WRENCH
SAFETY GLASSES

### CONICAL TOOTHED WASHER ORIENTATION DIAGRAM



HITCH WEIGHT: 29 LBS.

#### INSTALL TIME

PROFESSIONAL: 20 MINUTES

NOVICE (DIY): 45 MINUTES

#### INSTALL NOTES:

- NO DRILLING REQUIRED
- WELDNUT CLEANING

## INSTALLATION STEPS

1. Remove two (2) hex bolts attaching tow loop and one (1) tow loop from bottom of each frame rail and return to vehicle owner. These will be replaced with the included M12 hardware.
2. Insert one (1) hex bolt, one (1) 9/16" conical toothed washer and one (1) CM-SP52 through rear end of large slot in each side plate. Slide hitch in over tow loop plate. Loosely insert hex bolt into forward most weldnut in each frame.
3. Slide hitch rearward into position. Place one (1) 9/16" flat washer on top of one (1) CM-SP52 and set on top of each side plate, aligned with rear most hole.
4. Insert one (1) M12 hex bolt with one (1) 9/16" conical toothed washer through side plate, CM-SP52 spacer and 9/16" flat washer into each rear most weldnut.
5. Secure all M12 fasteners with socket wrench. A 19mm end wrench may be used to secure forward most bolt.
6. Torque all M12 fasteners to 86 ft-lbs. Use a 19mm socket torque adapter to torque front bolts.

**PERIODICALLY CHECK THIS RECEIVER HITCH TO ENSURE THAT ALL FASTENERS ARE TIGHT AND THAT ALL STRUCTURAL COMPONENTS ARE SOUND.**

# 31077 NISSAN TITAN XD

**\*\*\*DO NOT EXCEED VEHICLE MANUFACTURER'S RECOMMENDED TOWING CAPACITY\*\*\*.**

## FRONT MOUNTED ACCESSORIES

1) Do not exceed front axle Gross Weight Rating (GAWR). Consult owners manual or specification plate located on driver's door frame. Measure gross front axle weight by placing front wheels of loaded vehicle on a scale.

**WARNING:** Exceeding GAWR may overload the front axle and/or suspension. This could result in **accident, property damage and personal injury.**

- 2) Reposition front mounted license plate if obstructed.
- 3) Do not obstruct vehicle lights.
- 4) Allow free air flow into grille opening.
- 5) Rear wheel traction may be reduced. This could effect handling. Reduce speed and drive with caution.
- 6) Accessories extend front of vehicle. This may reduce approach angle. Use caution when parking and maneuvering.
- 7) Do not obstruct driver view.

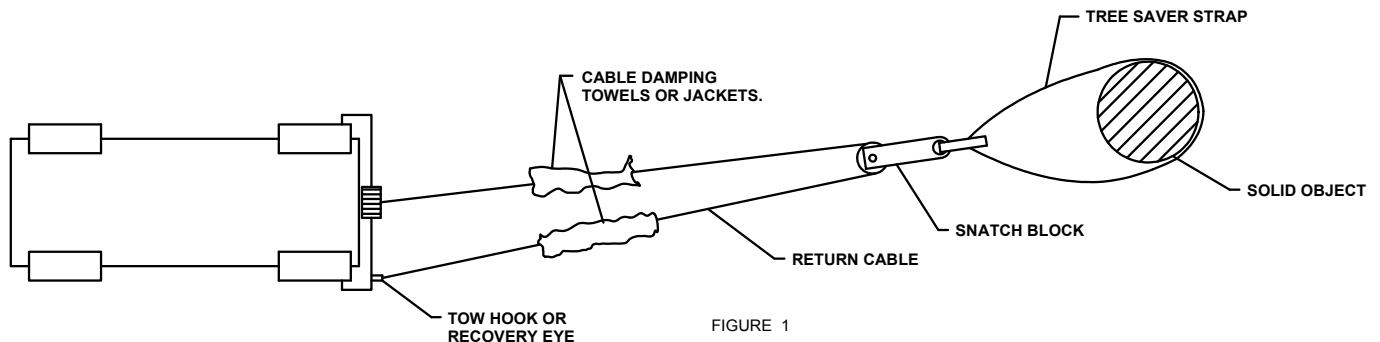
## VEHICLE RECOVERY AND WINCHING TIPS

1) Use OEM tow hooks, recovery eyes or a clevis mount for attachment of a tow strap or winch cable.

**WARNING: NEVER** use a ball and/or ball mount as an anchor point for tow strap or winch cable. Severe personal injury or death could result.

- 2) Observe winch manufacturer's recommendations, cautions and warnings.
- 3) Attach return cable to tow hook or recovery eye when using a snatch block (See figure 1).

**CAUTION:** Do not attach return cable to winch mount. This may overload winch mount and/or front mounted receiver.



## RATING

For **Maximum** line pull rating, winch cable must not exceed:  
- 15 degree angle up or down from horizontal (See Figure 2).  
- 45 degree angle left or right from straight ahead (See Figure 3).

**CAUTION:** Exceeding the maximum line pull rating may over load winch, winch mount, and/or front mounted receiver.

