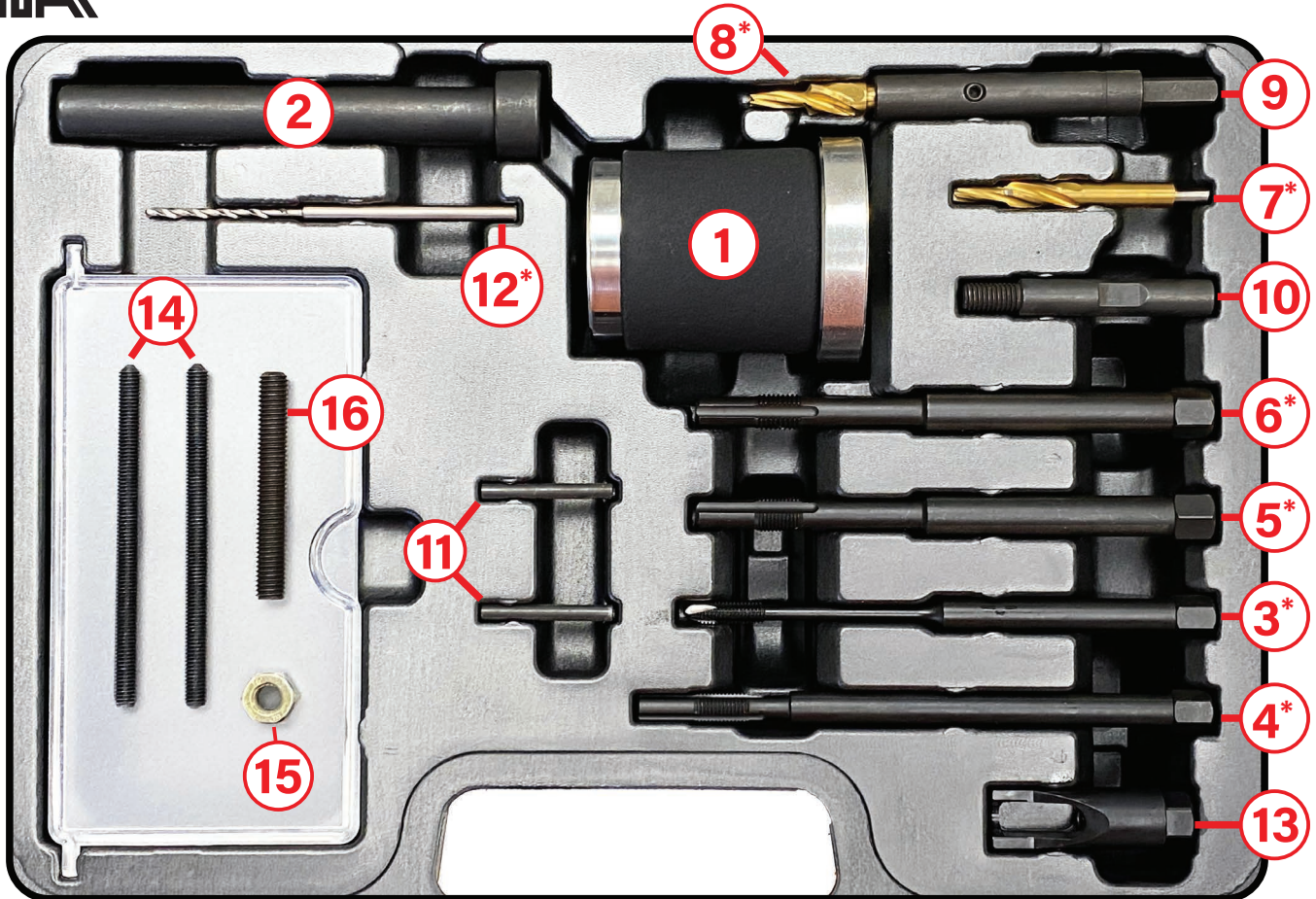




DIESEL GLOW PLUG PULLER

7804



| Key | CTA # | Description |
|-----|---------|-----------------------------|
| 1 | 7804X1A | Slide Hammer Counter Weight |
| 2 | 7804X1B | Slide Hammer Bar |
| 3* | 7804X1C | Tap M6 x 100 |
| 4* | 7804X1D | Thread Repair Tap M8 x 100 |
| 5* | 7804X1E | Thread Repair Tap M10 x 100 |
| 6* | 7804X1F | Thread Repair Tap M10 x 125 |
| 7* | 7804X1G | Milling Drill M8 |
| 8* | 7804X1H | Milling Drill M10 |
| 9 | 7804X1I | Drill Holder |
| 10 | 7804X1J | M6 x 100 Puller |
| 11 | 7804X1K | Set of 2 Guides |
| 12* | 7804X1L | Drill 2.5mm |
| 13 | 7804X02 | Plug Puller Adapter |
| 14 | 7804X03 | Extractor Screws (2) |
| 15 | 7804X04 | Hex Nut |
| 16 | 7804X05 | Electrode Puller Screw |

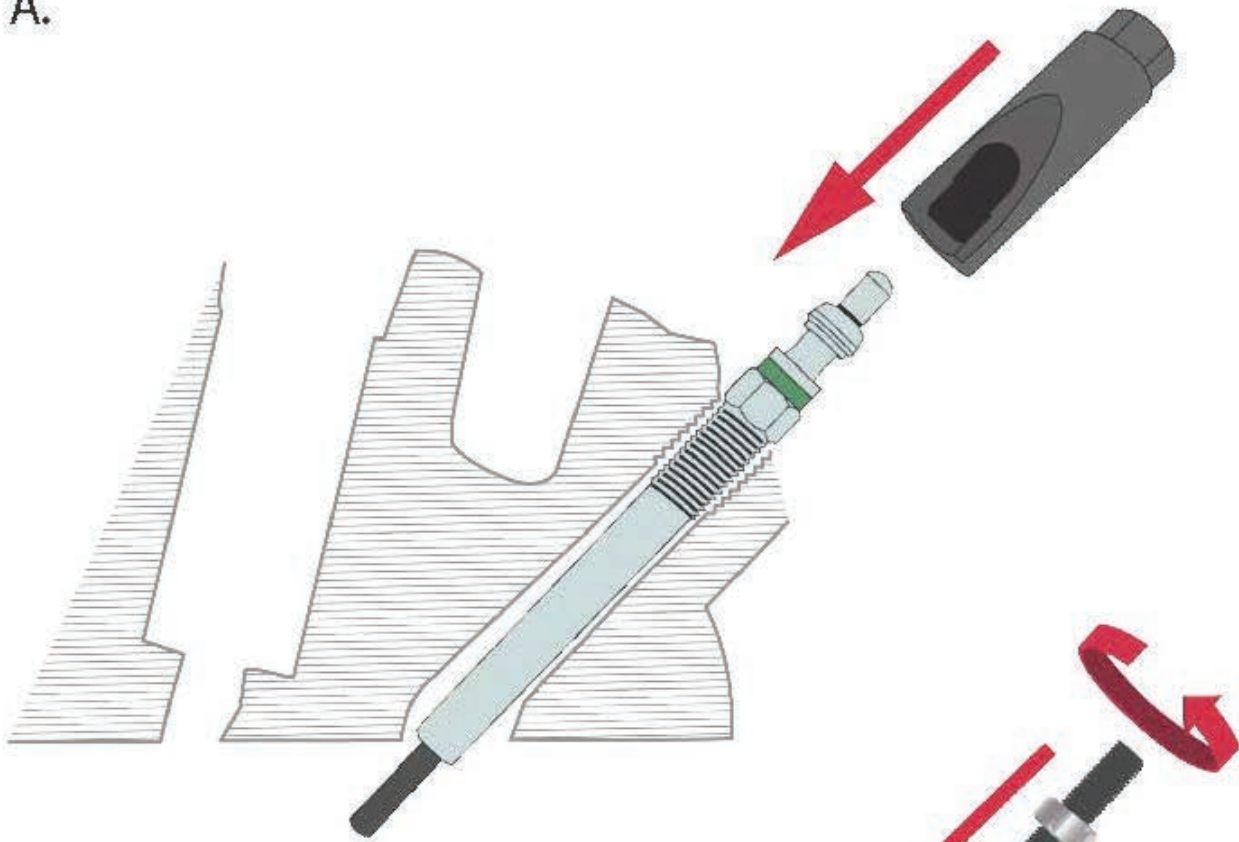
* Consumable product - NOT covered by warranty

Warning: Always wear appropriate safety goggles and gloves when using this product

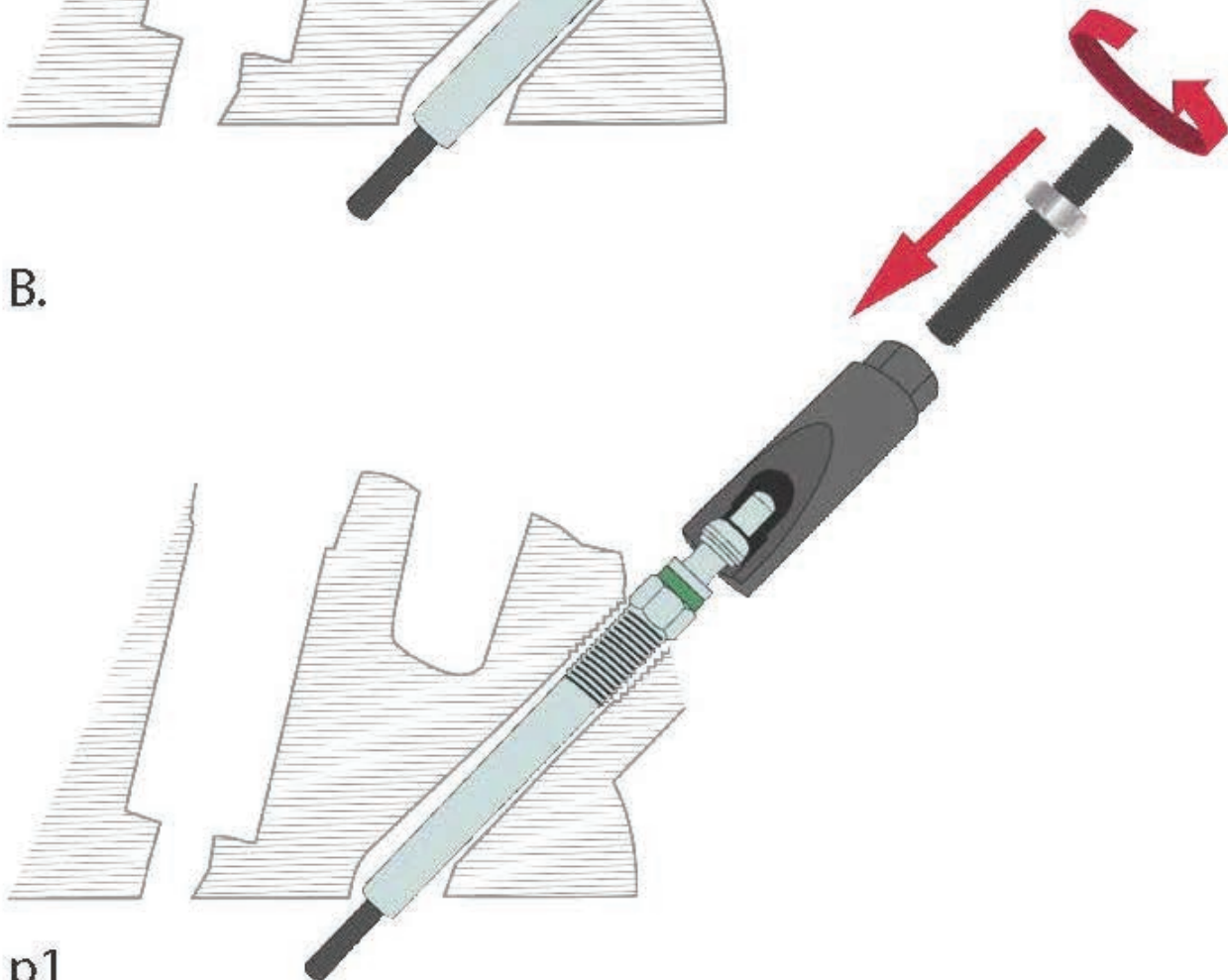
1.



A.

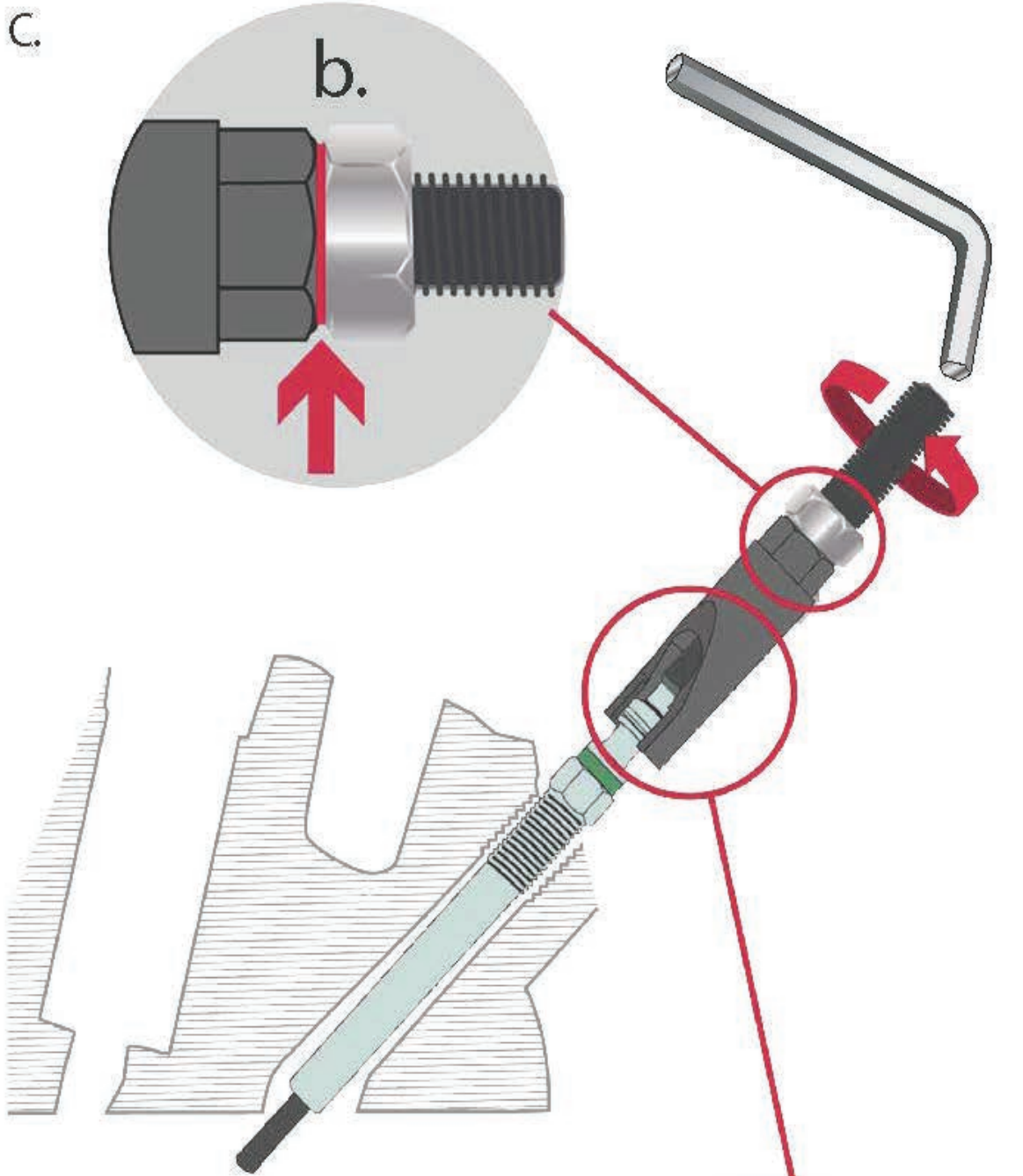


B.

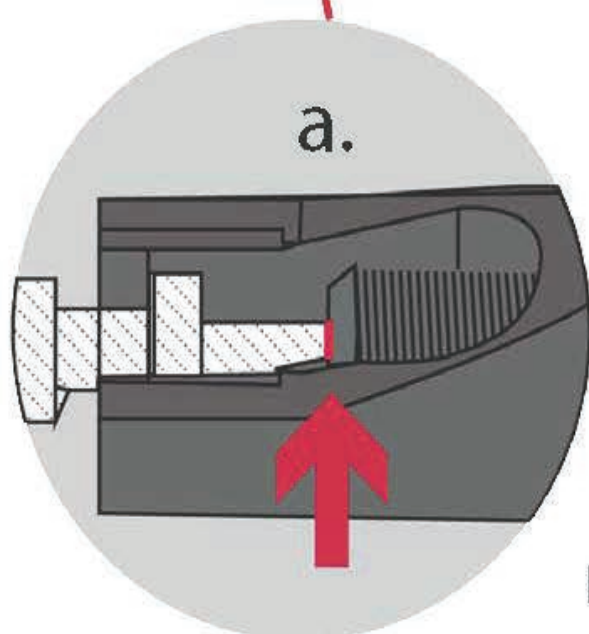


p1

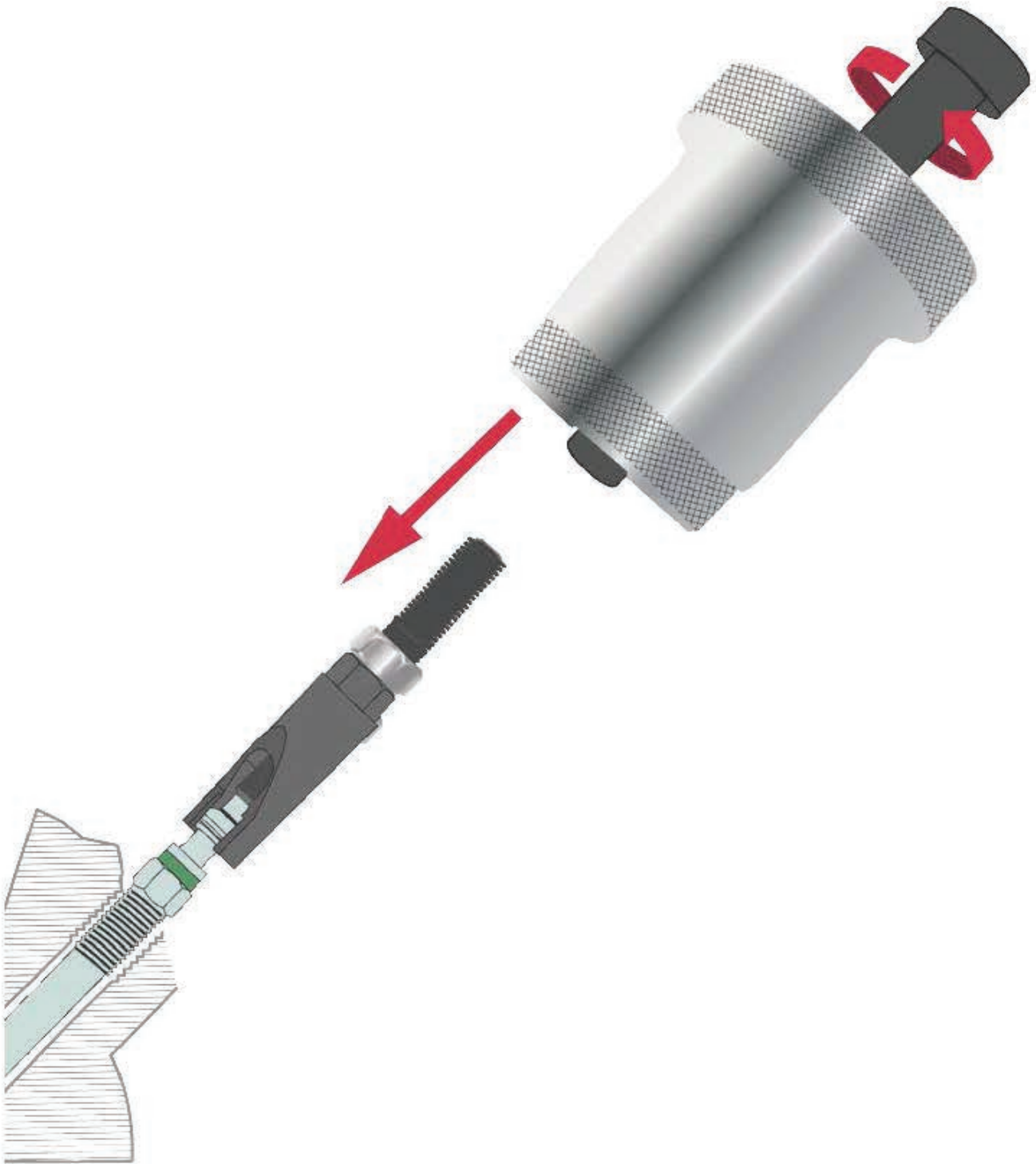
c.



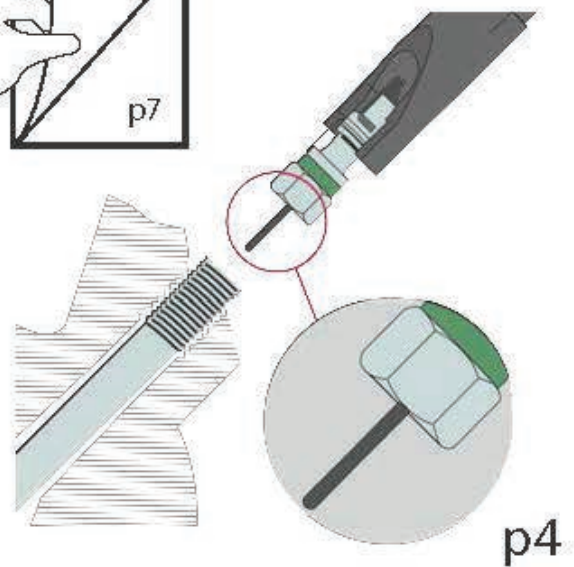
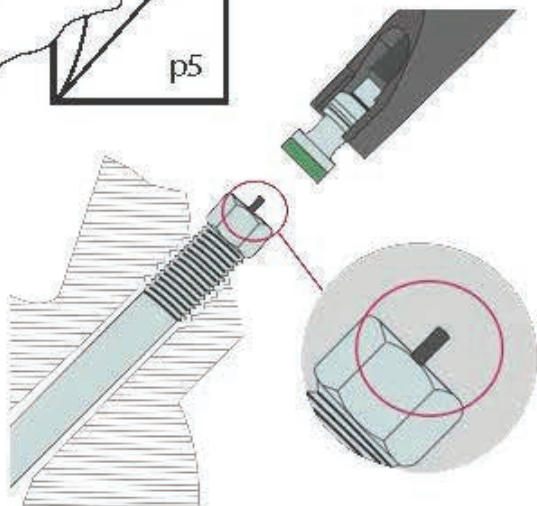
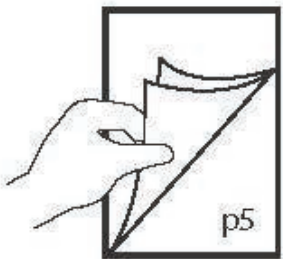
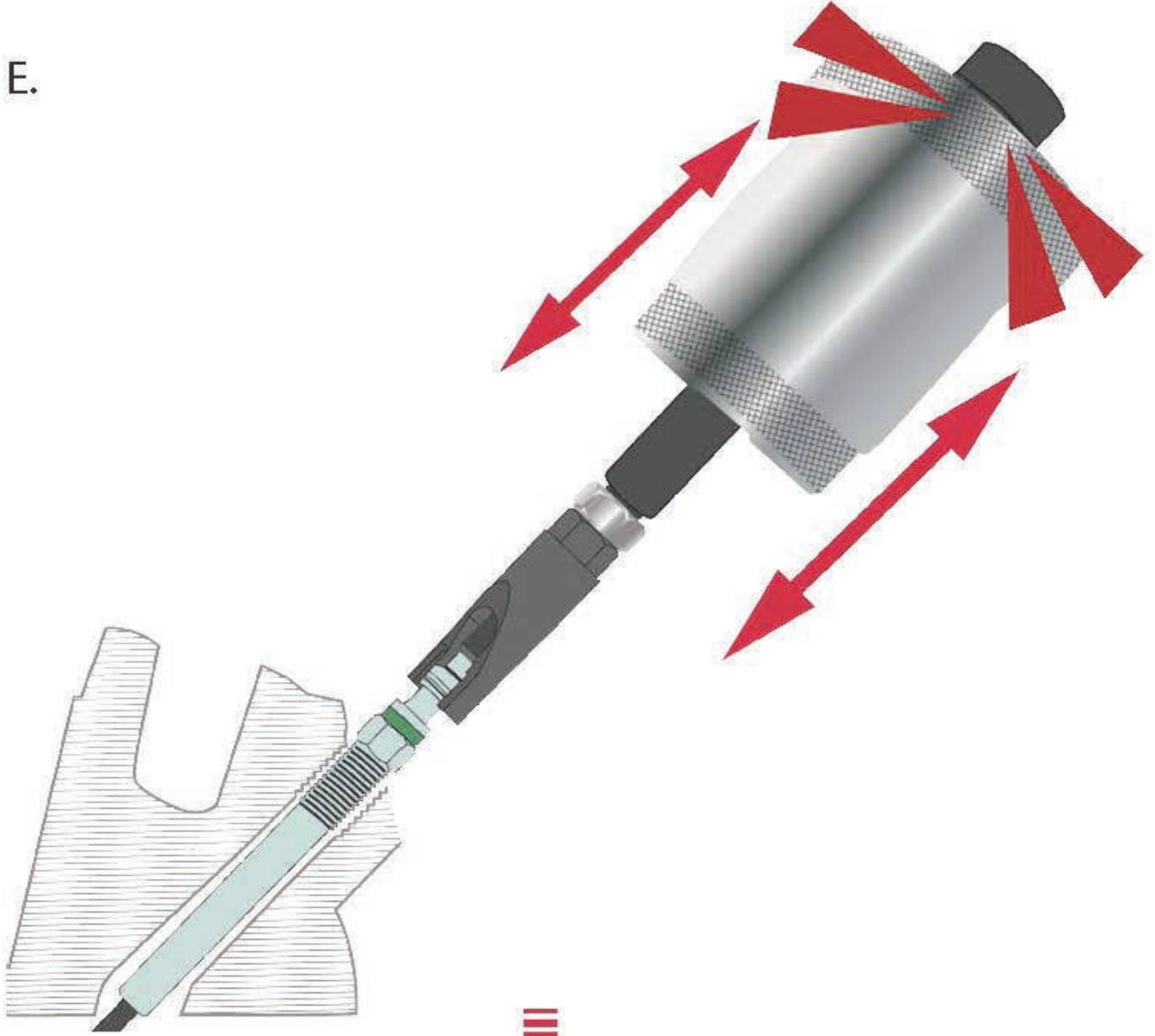
a.



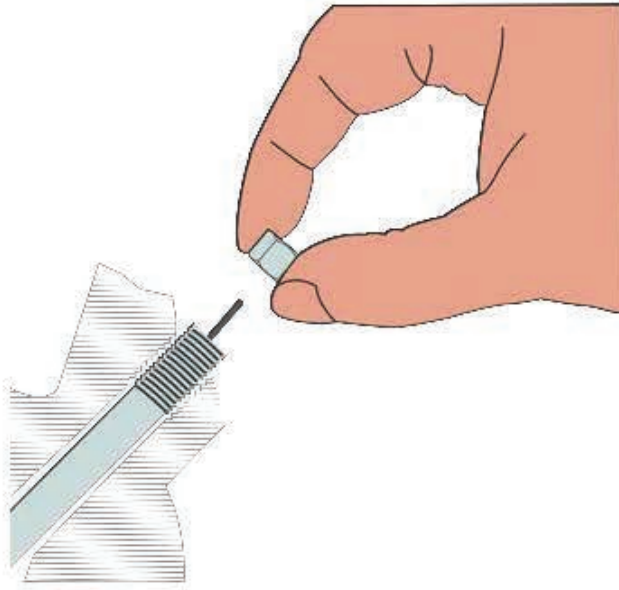
D.



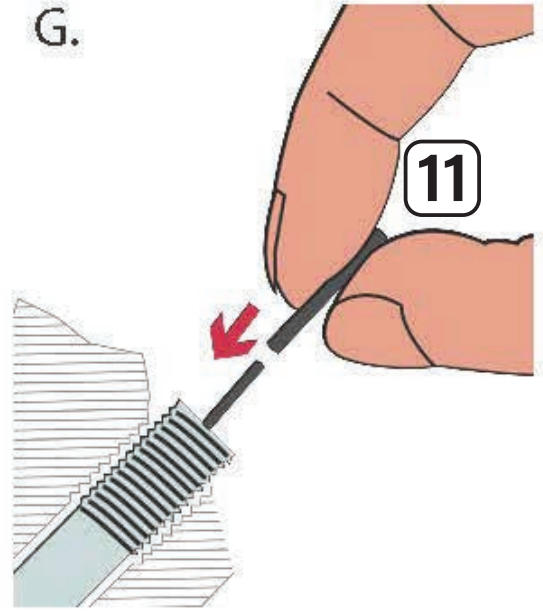
E.



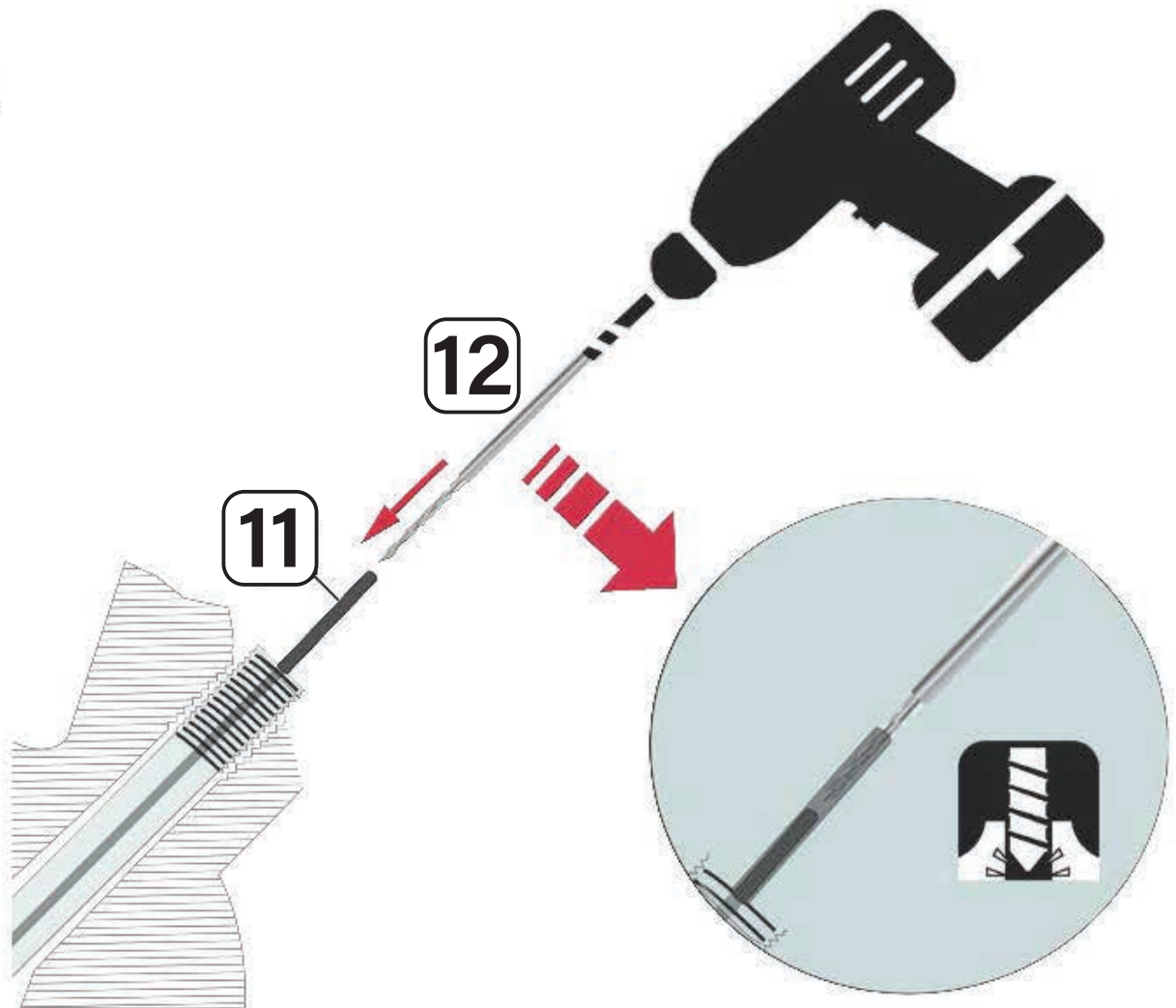
F.



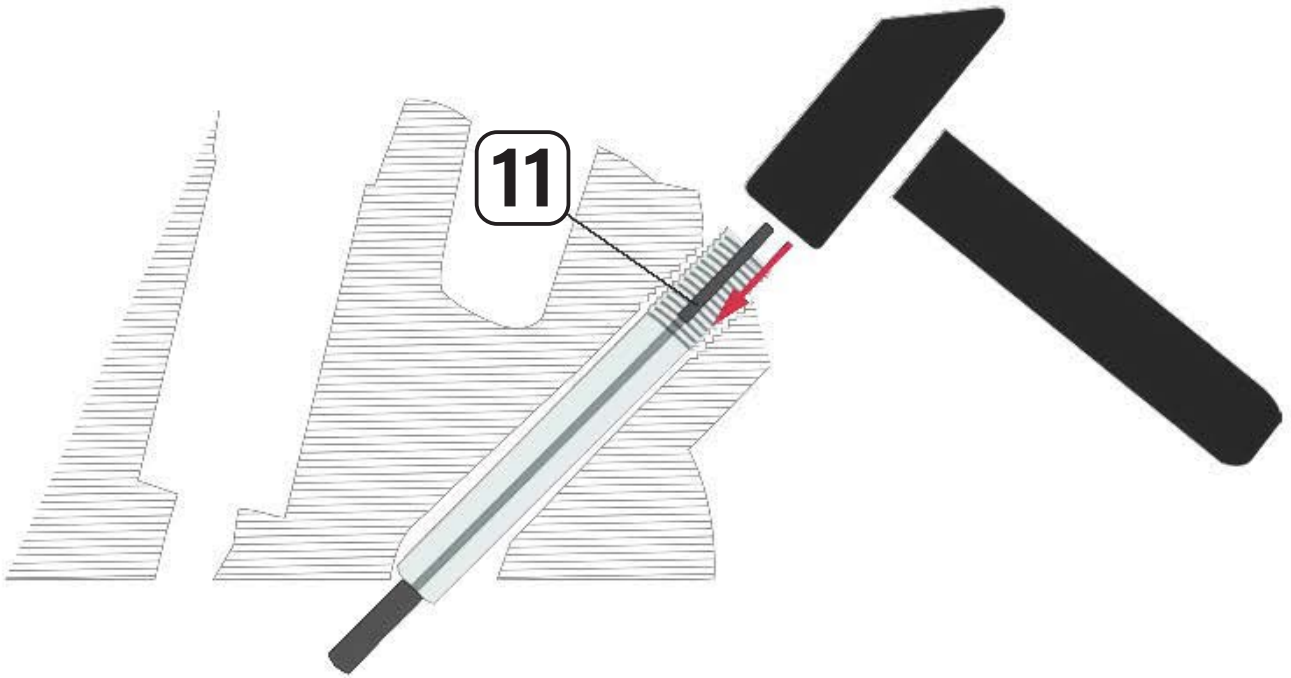
G.



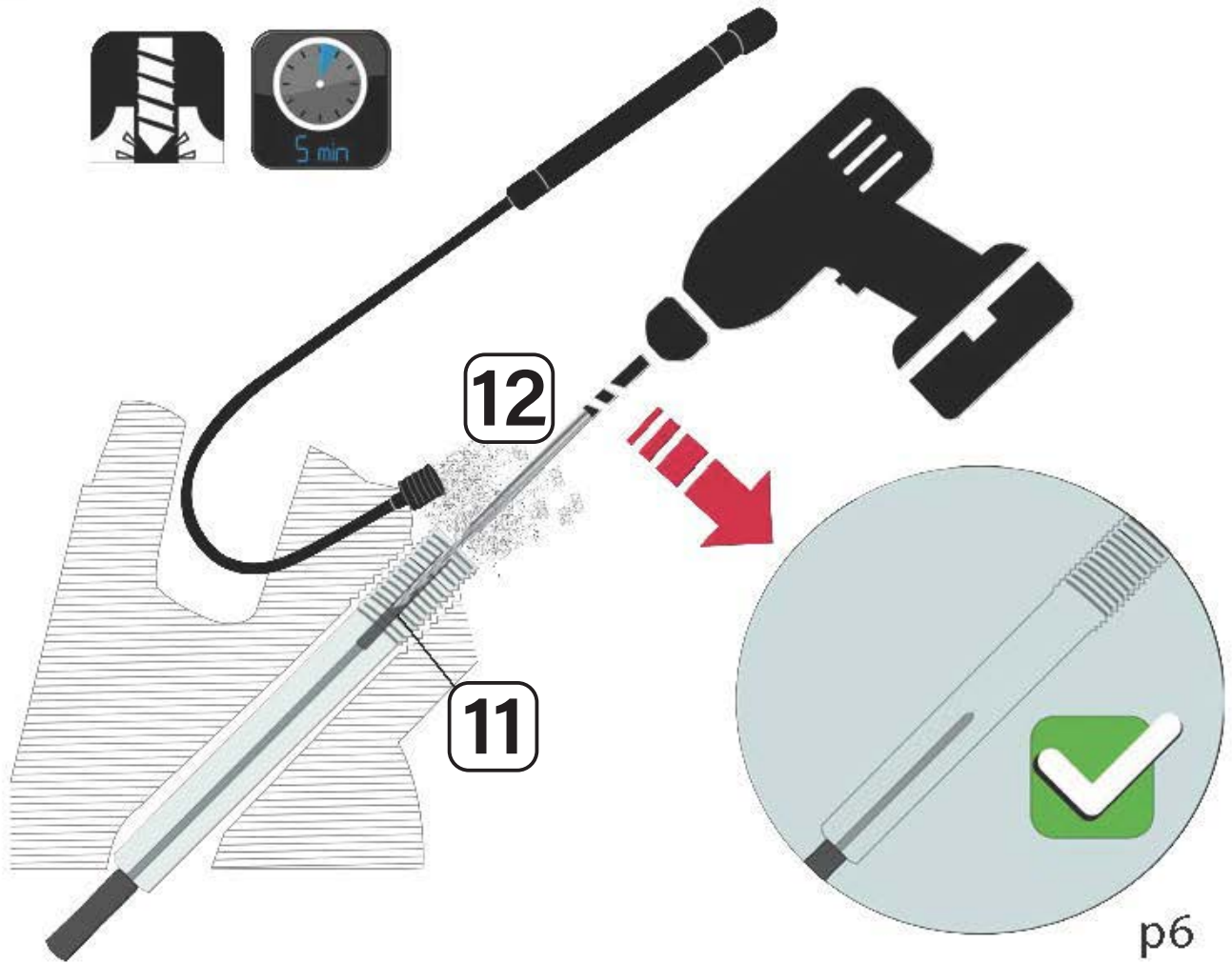
H.



I.



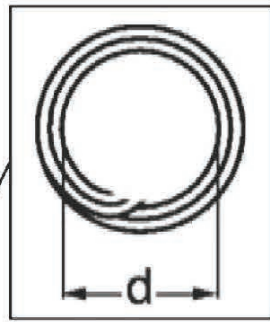
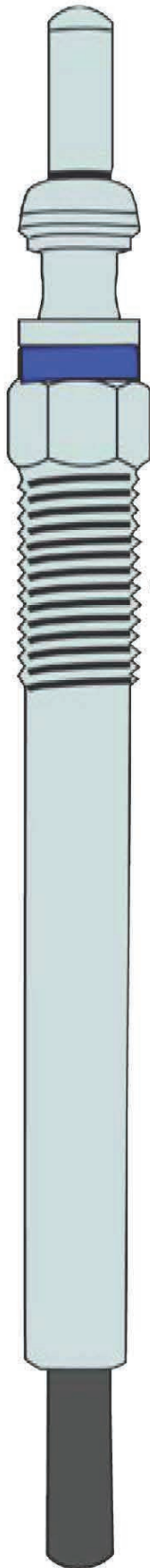
J.



2.



A.



?

6.8mm 8.8mm

7



8

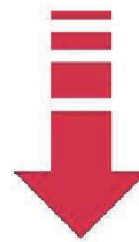


+

M8 M10



7/8



9

p7

B.



9



7/8



C.



6



D.

2



10



1



14



E.



p9

F.



G.



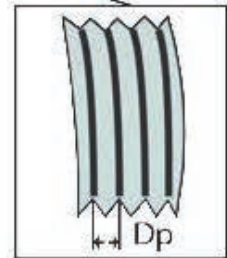
M10
x100



5

?

=



M10
x125

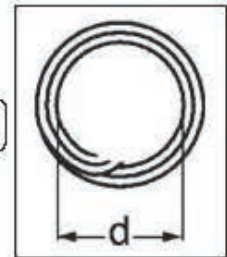


4

M8



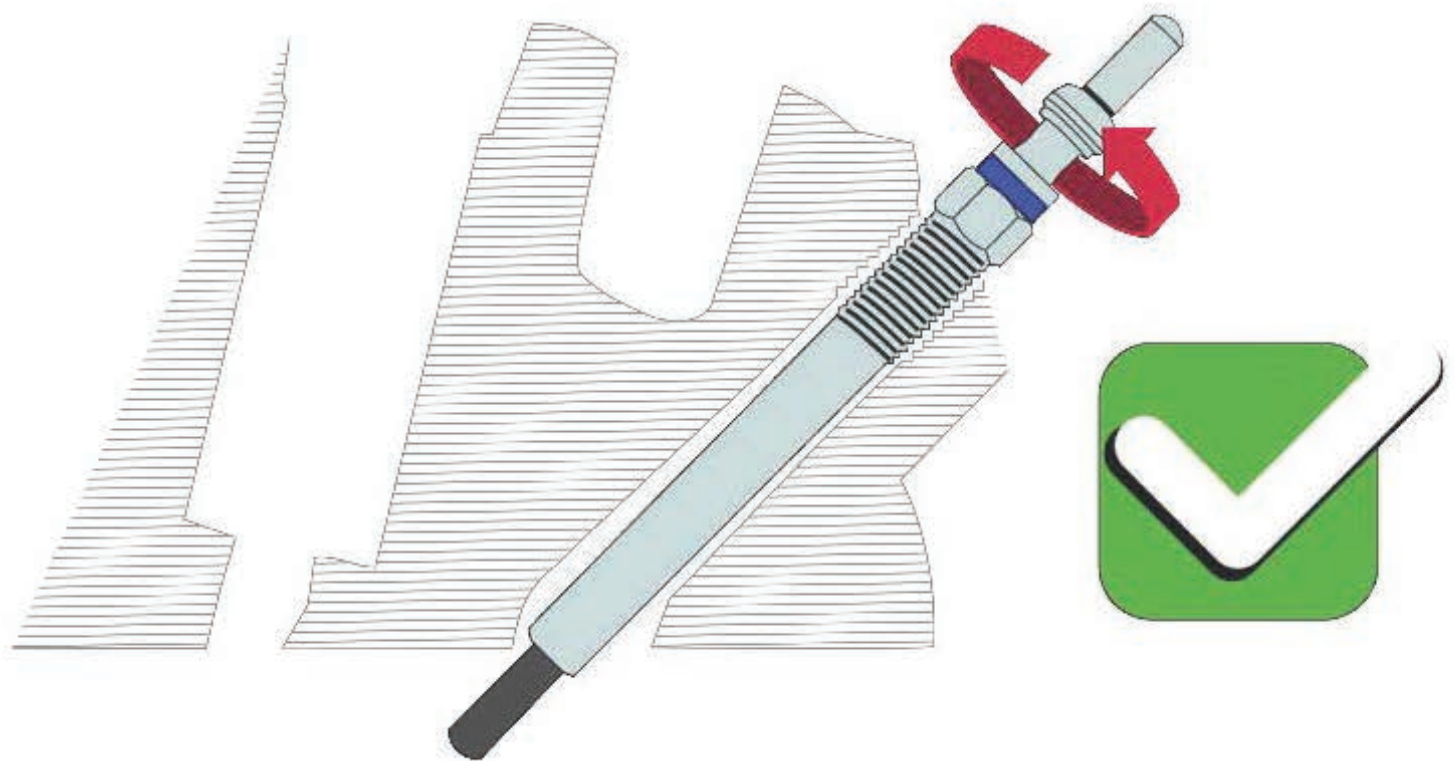
3



H.



I.



Learn more about spark plug and ignition tools we have.