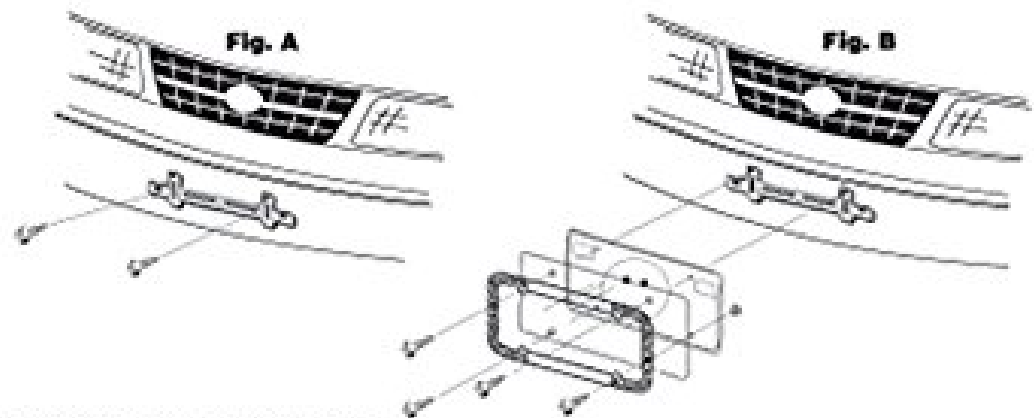




# 79050

License Plate Bracket, Black



## USE FOR:

- MOUNTING LICENSE PLATE ON NEW VEHICLES WITH CONTOURED BUMPERS IF FACTORY BRACKET DID NOT COME WITH VEHICLE.
- MOUNTING LICENSE PLATE TO ANY TRAILER.
- MOUNTING AN ADDITIONAL NOVELTY PLATE TO ANY VEHICLE.
- A SPACER FOR RECESSED LICENSE PLATE AREA ON REAR OF VEHICLES.
- REPLACING FACTORY FRONT BRACKET (IF BULKY AND DOES NOT WORK IDEALLY WITH LICENSE FRAMES).

## INSTRUCTIONS:

1. FIND DESIRED LOCATION TO MOUNT PLATE AND BRACKET.
2. FASTEN BACK SIDE OF BRACKET TO FACE OF BUMPER WITH MOUNTING TABS FACING UP (SEE FIGURE A).
3. ALIGN VERTICAL AND/OR HORIZONTAL HOLES ON BRACKET TO ORIGINAL BUMPER HOLES AND MOUNT SECURELY WITH BUMPER'S ORIGINAL SCREWS.
4. IF ORIGINAL HOLES ARE NOT PRESENT IN THE BUMPER, USE VERTICAL OR HORIZONTAL HOLES ON THE BRACKET FOR ALIGNMENT, MARK DESIRED LOCATION WITH CENTER PUNCH OR NAIL AND CAREFULLY DRILL HOLES AT MARKED LOCATIONS.
5. USING TWO OF THE SCREWS INCLUDED, SECURELY FASTEN BRACKET TO BUMPER (SEE FIGURE A). IF APPLICATION REQUIRES USING A FASTENER WITH A NUT WE RECOMMEND EITHER CRUISER ACCESSORIES METRIC STEEL FASTENERS (PART NUMBER 80330) OR METRIC LOCKING STAINLESS STAR PIN™ (PART NUMBER 81300).
6. IF USING A LICENSE PLATE FRAME (SEE FIGURE B) WE RECOMMEND OUR "RATTLE STOP" (PART NUMBER 81400, LOCKING STAINLESS STAR PIN™) AT LOWER TWO HOLES WHICH WOULD PREVENT THE PLATE AND FRAME FROM RATTLING.