



HYDRO  SERIES™



QUICK START GUIDE

# H100i v2

## EXTREME PERFORMANCE LIQUID CPU COOLER

**Note: Most newer PC cases include a CPU cutout to allow access to the bottom of the motherboard. If your case does not include a cutout, you will need to remove your motherboard from the case before installation.**

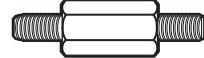
### Included Hardware

Highlighted parts for Intel installation only



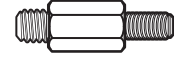
**A**

x8 LONG FAN SCREWS



**B**

x4 LGA 115X / 1366 STANDOFF



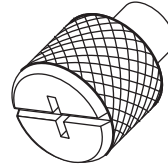
**C**

x4 LGA 2011 STANDOFF



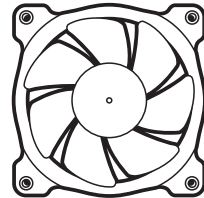
**D**

x4 AMD BLACK STANDOFF



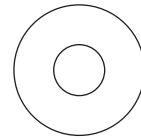
**E**

x4 THUMBSCREWS



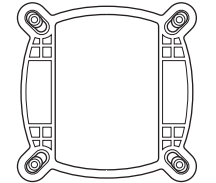
**F**

x2 SP120L FANS



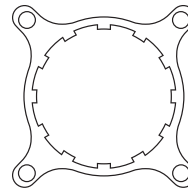
**G**

x16 WASHER



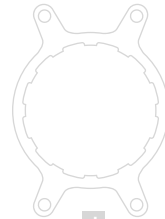
**H**

x1 INTEL BACKPLATE



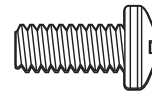
**I**

x1 INTEL MOUNTING BRACKET  
(PRE-INSTALLED)



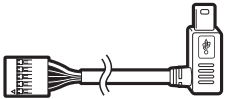
**J**

x1 AMD MOUNTING  
BRACKET



**K**

x8 SHORT SCREWS



**L**

CORSAIR LINK USB CABLE  
(Included)

INTEL

Note: The H100i v2 comes with Intel mounting bracket pre-installed on the pump for quick installation.

1

### Installing the Intel Backplate

- For LGA 115X installation, slide the backplate pins inside (figure 1).
  - For LGA 1366 installation, slide the backplate pins outside (figure 1).
  - Install the assembled backplate (figure 2).
- Note: Intel LGA 2011 does not require backplate installation. Proceed to step 2.**

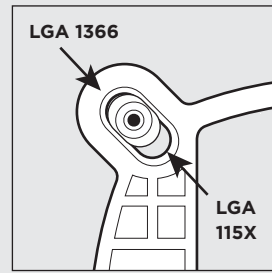


figure 1

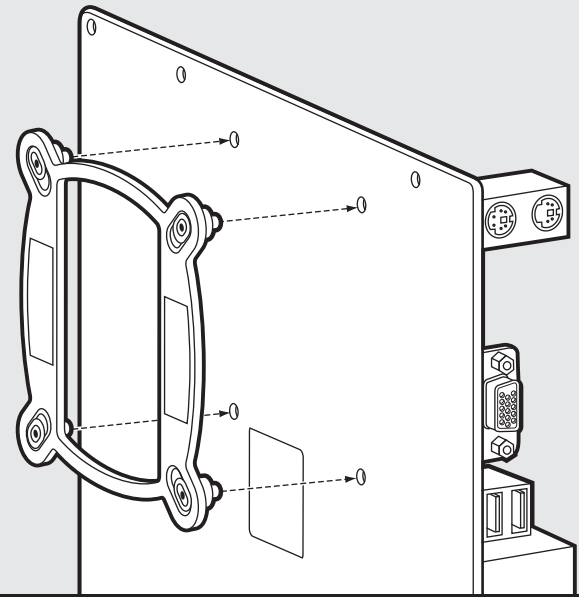
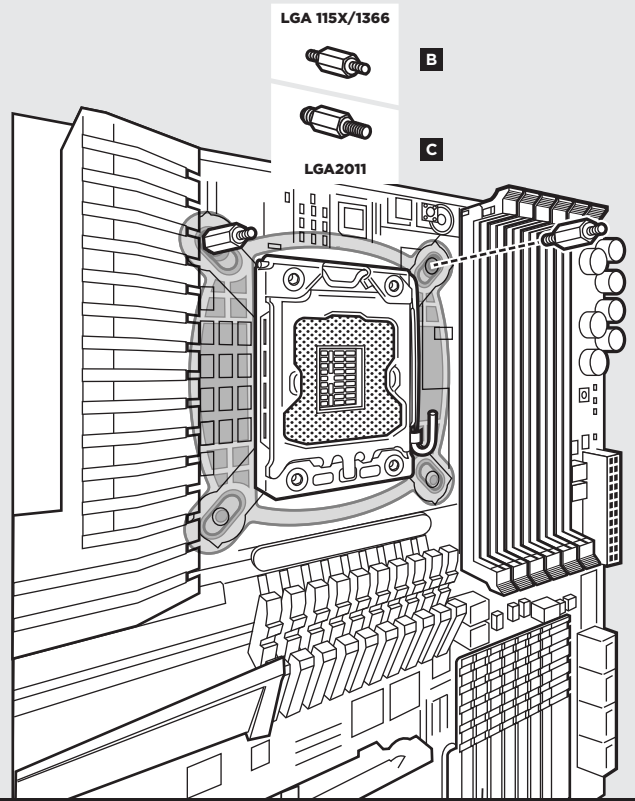


figure 2

2

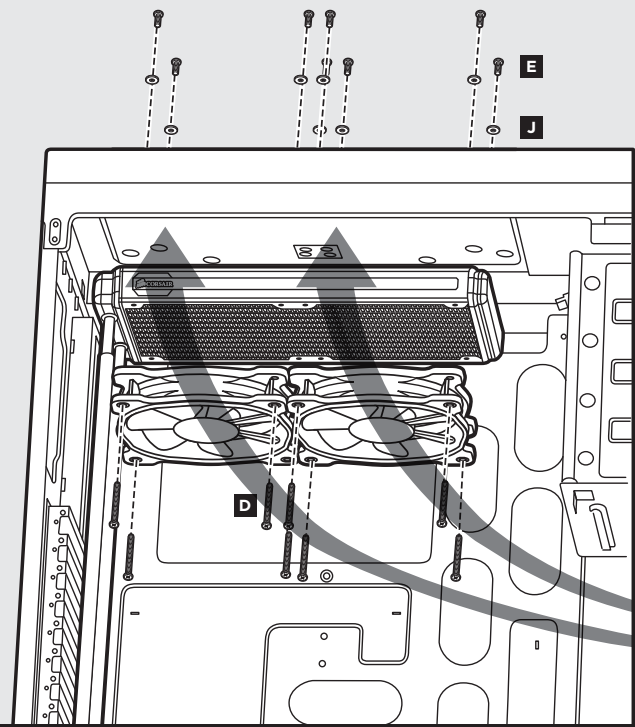
Installing the Intel Standoff Screws



- Attach the provided Intel standoff.
- Use (B) for LGA 115X / 1366, or (C) for LGA 2011.
- Tighten all four screws until firmly secure.

3

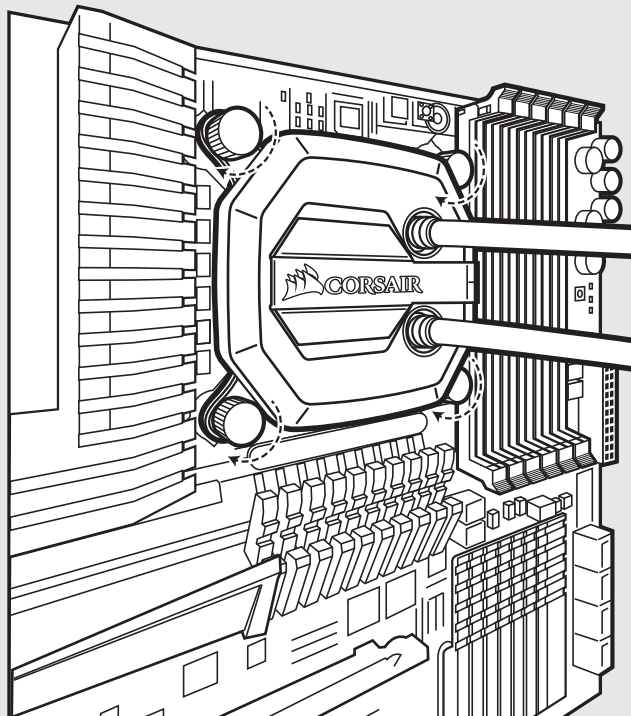
Install the Fans and Radiator



Attach the radiator and the fans as shown. For the best cooling performance, we recommend mounting the fans as an air-intake to your PC case.

4

Installing the Pump Unit



- Align the bracket and pump over the standoff screws as shown.
- Tighten the thumbs screws until all four corners are firmly secured.

5

Connect Power to the Fans and Pump

- Connect the pump power cable to the CPU\_FAN header on your motherboard.
- Connect the fans to the two connectors coming off the pump.

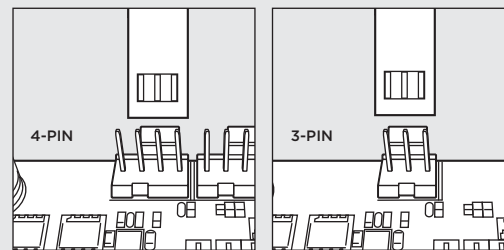


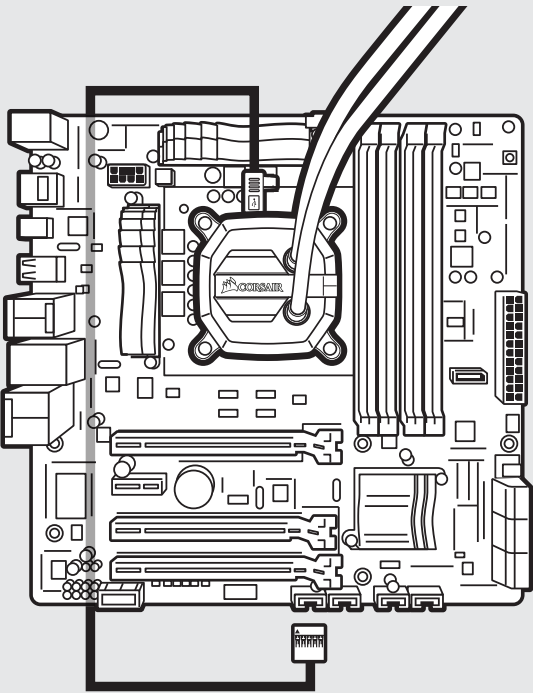
figure 1



figure 2

## 6

### Connect Pump to USB Header



Using the included Corsair Link™ USB cable, attach pump unit to a motherboard USB header.

### Included Hardware

Highlighted parts for AMD installation only

**A**

x8 LONG FAN SCREWS

**B**

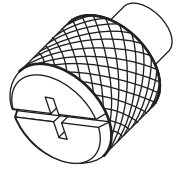
x4 LGA 115X / 1366 STANDOFF

**C**

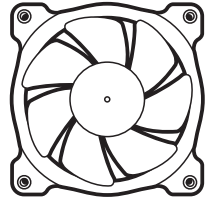
x4 LGA 2011 STANDOFF

**D**

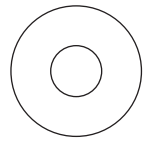
x4 AMD BLACK STANDOFF

**E**

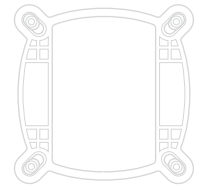
x4 THUMBSCREWS

**F**

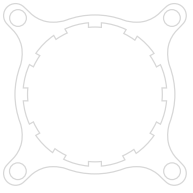
x2 SP120L FANS

**G**

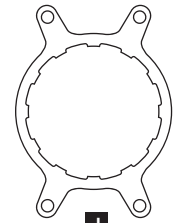
x16 WASHER

**H**

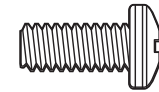
x1 INTEL BACKPLATE

**I**

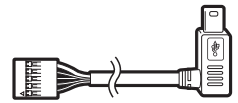
x1 INTEL MOUNTING BRACKET (PRE-INSTALLED)

**J**

x1 AMD MOUNTING BRACKET

**K**

x8 SHORT SCREWS

**L**

CORSAIR LINK USB CABLE (Included)

Note: the H100i v2 comes with the INTEL mounting bracket pre-installed on the pump for quick installation.

## Installing the AMD Standoff Screws

- Remove the stock AMD top mounting bracket(s) shown. (figure 1)
- Attach the provided AMD standoff. (figure 2)
- Tighten all four screws until firmly secure. (figure 2)

**Note:** The stock AMD motherboard backplate is used for AMD installation. AMD standoff are black to differentiate between Intel standoff.

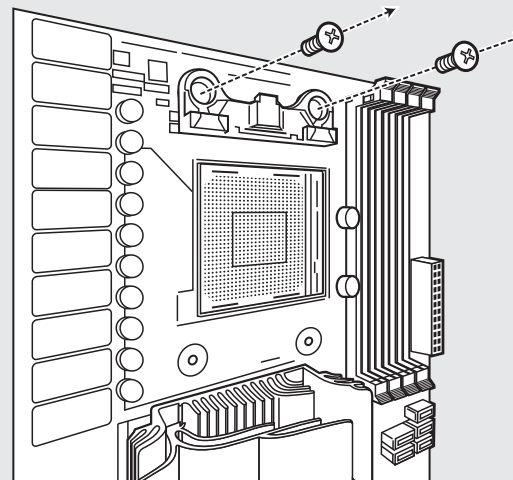


figure 1

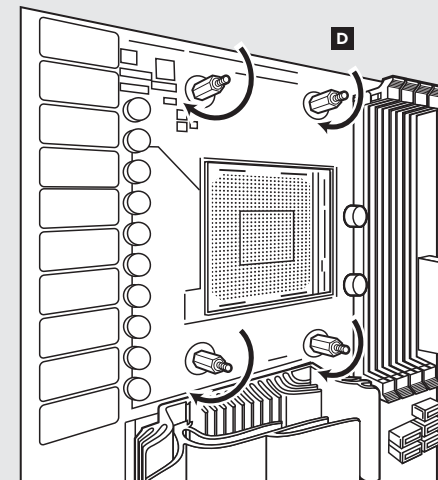
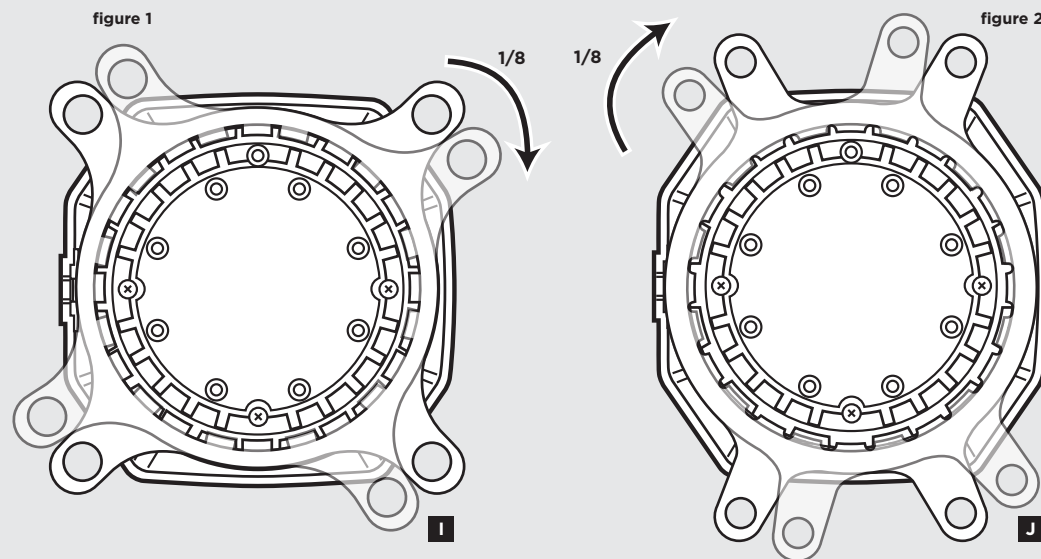


figure 2

## Installing the AMD Mounting Bracket

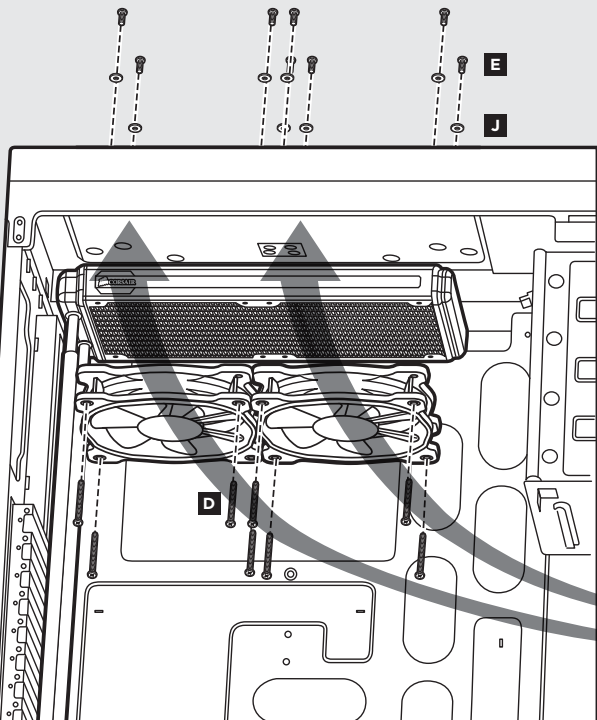
**Note: It is important that the AMD retention bracket be evenly secured on all sides before installation!**

- Remove the integrated Intel mounting bracket by pushing on the metal piece, turning 1/8th turn, and pulling away from the copper coldplate (figure 1).
- Install the AMD bracket by aligning the metal teeth, pushing in, turning 1/8th turn the opposite direction, and allowing bracket to secure (figure 2).



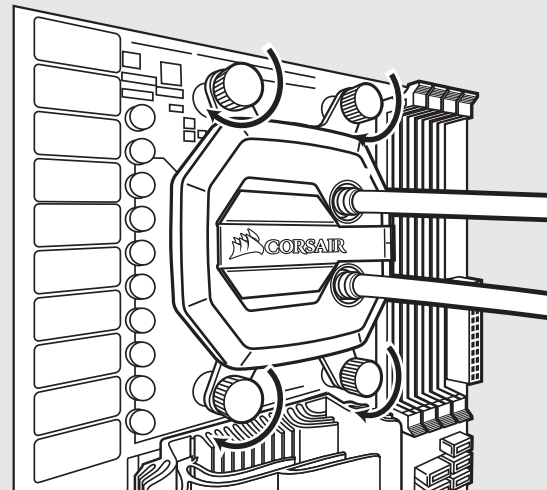
## Install the Fans and Radiator

Attach the radiator and the fan as shown. For the best cooling performance, we recommend mounting the fans as an air-intake to your PC case.



## Installing the Pump Unit

- Align the bracket and pump over the standoff screws as shown.
- Tighten the thumb screws until all four corners are firmly secured.



## Connect Power to the Fans and Pump

- Connect the pump power cable to the CPU\_FAN header on your motherboard.
- Connect the fans to the two connectors coming off the pump.

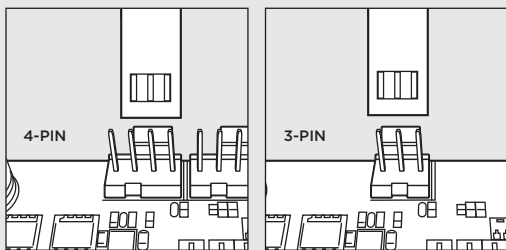


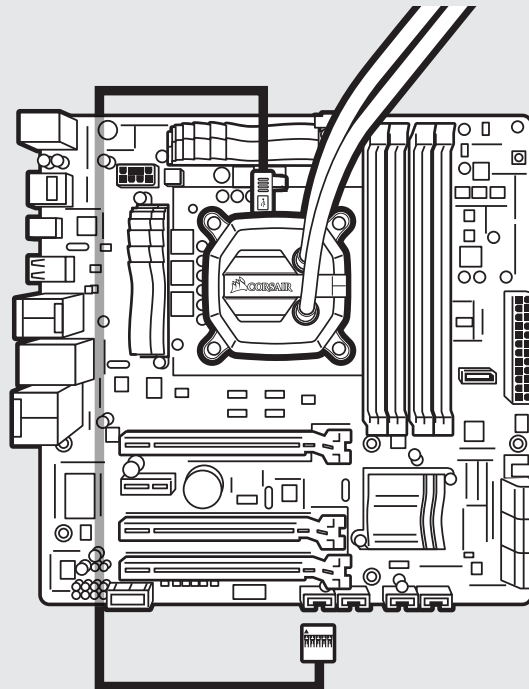
figure 1



figure 2

## Connect Pump to USB Header

Using the included Corsair Link™ USB cable, attach pump unit to a motherboard USB header.



## FAQ

**1. How do I know the direction of the air flow of the fan?**

An arrow located on the side of the fan indicates the direction of air flow.

**2. Can I reuse the pre-applied thermal paste on the H100i v2 for a re-installation?**

Re-installation of the H100i v2 cooler will require you clean off the pre-applied thermal paste and apply an aftermarket paste.

**Thank you for purchasing the Corsair Hydro Series H100i v2 Extreme Performance Liquid CPU Cooler.**

