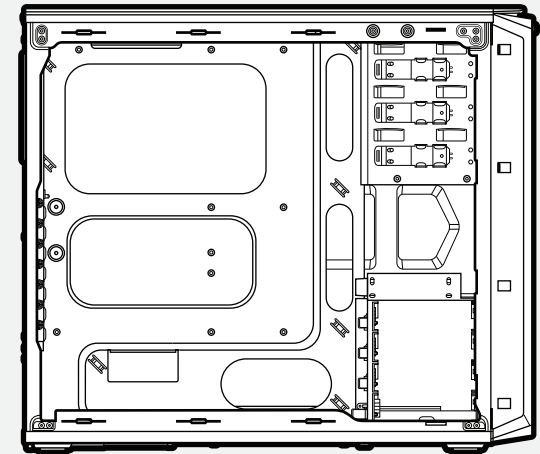
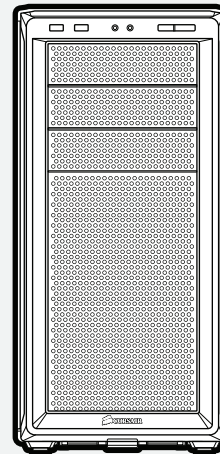


**GRAPHITE
SERIES**

230T

GRAPHITE SERIES® 230T MID-TOWER PC CASE

INSTALLATION GUIDE





CONGRATULATIONS!



CONTENTS

Thank you for purchasing a Graphite Series® 230T mid-tower PC case.

Graphite Series 230T mid-tower PC case with 120mm rear exhaust fan and 120mm front intake fan

Installation Guide
Accessory Kit

Maximum GPU length:

Top slots: 430mm
Lower slots: 320mm

Maximum CPU cooler height:

160mm



x4

Rubber fan mounts



x16

Fan screws (short)

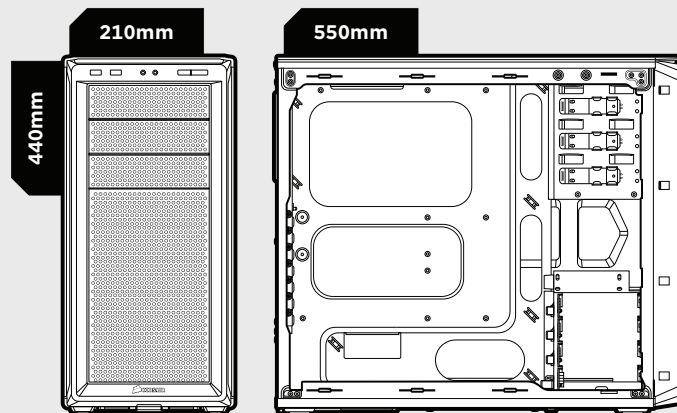


x4

Fan screws (long)

At Corsair, we believe that no matter your budget, building your own PC should be easy, and have great looking results. You've made a good choice with the Graphite Series 230T. Whether you're planning a gaming PC or just a replacement for a boring office-grade box, you'll enjoy the unique pride of ownership that comes with a system that you've built yourself. And if you run into any trouble along the way, our technical support team is within easy reach.

GRAPHITE SERIES® 230T



x18

MBD/HDD screws



x12

ODD/SSD screws



x6

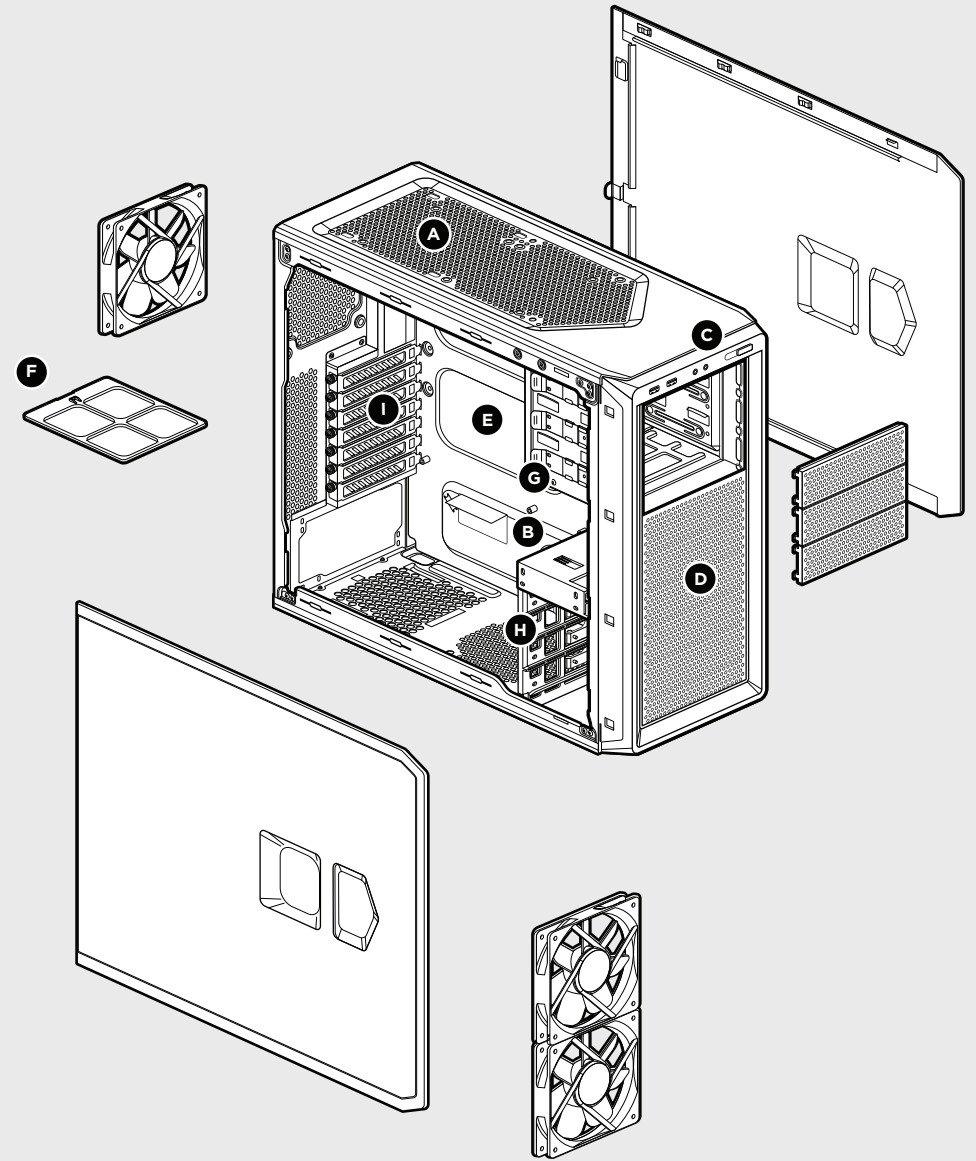
Cable ties



GRAPHITE SERIES® 230T MID-TOWER PC CASE

GRAPHITE SERIES® 230T MID-TOWER PC CASE

- A** Dual 120mm/140mm fan mounts compatible with 240mm/280mm radiators
- B** Built-in cable routing cutouts
- C** (x2) USB 3.0, Headphone/Mic, Power/Reset
- D** Dual 120mm fan mounts
- E** CPU backplate cutout
- F** Removable dust filters
- G** (x3) Tool-free optical drive bays
- H** Tool-free 3.5" hard drive cage with 2.5" compatibility
- I** Seven expansion slots for GPUs

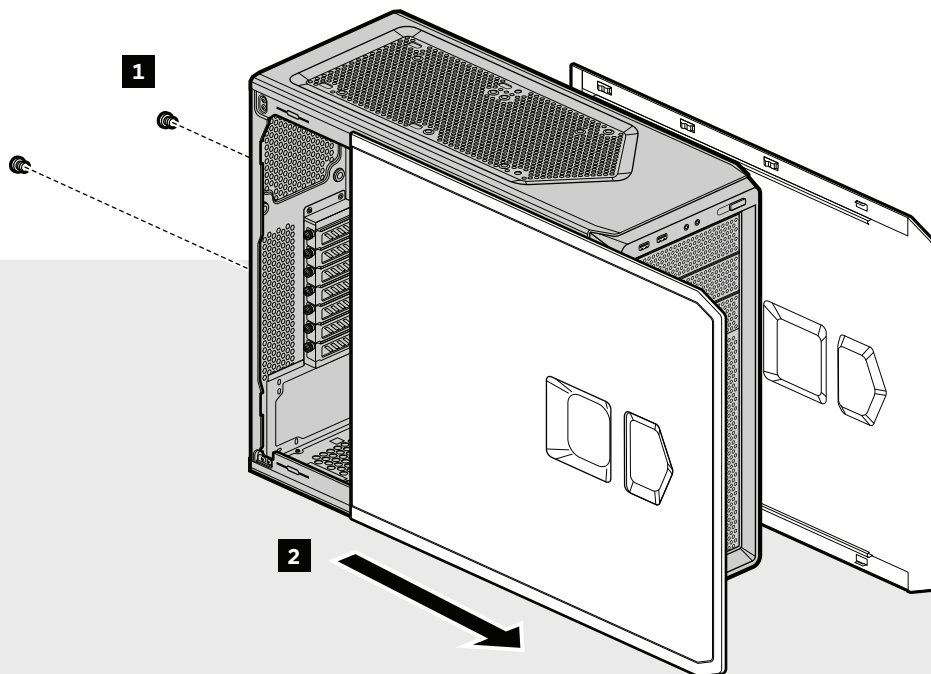


01

Removing the side panels

- > Remove the thumbscrews and slide the side panel forward toward the front of the case to remove.

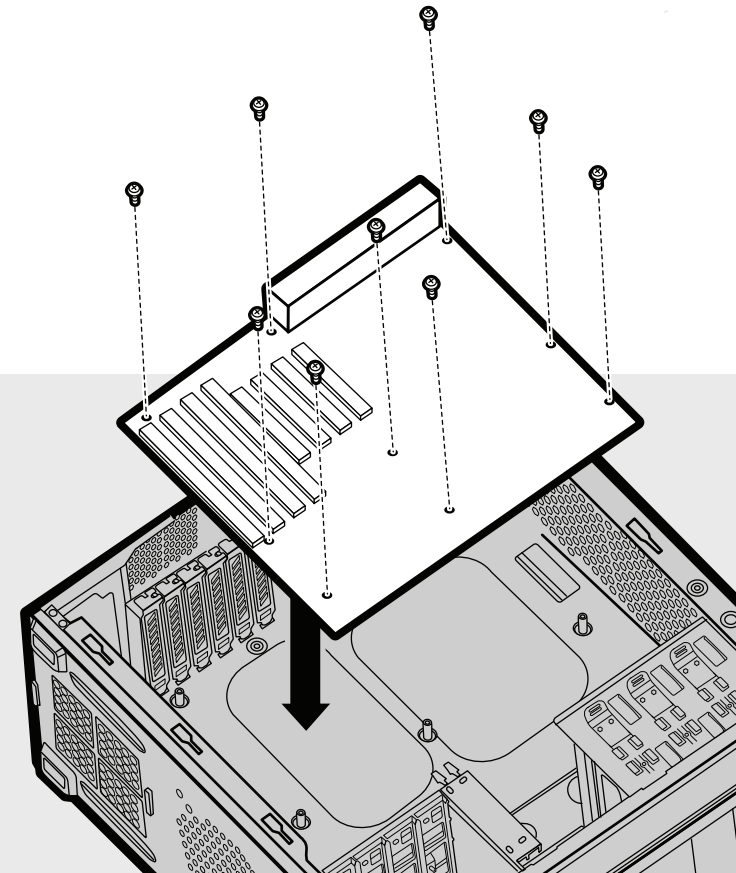
Note: Corsair recommends that both side panels are completely removed and set aside when building your system to avoid accidental damages.



02

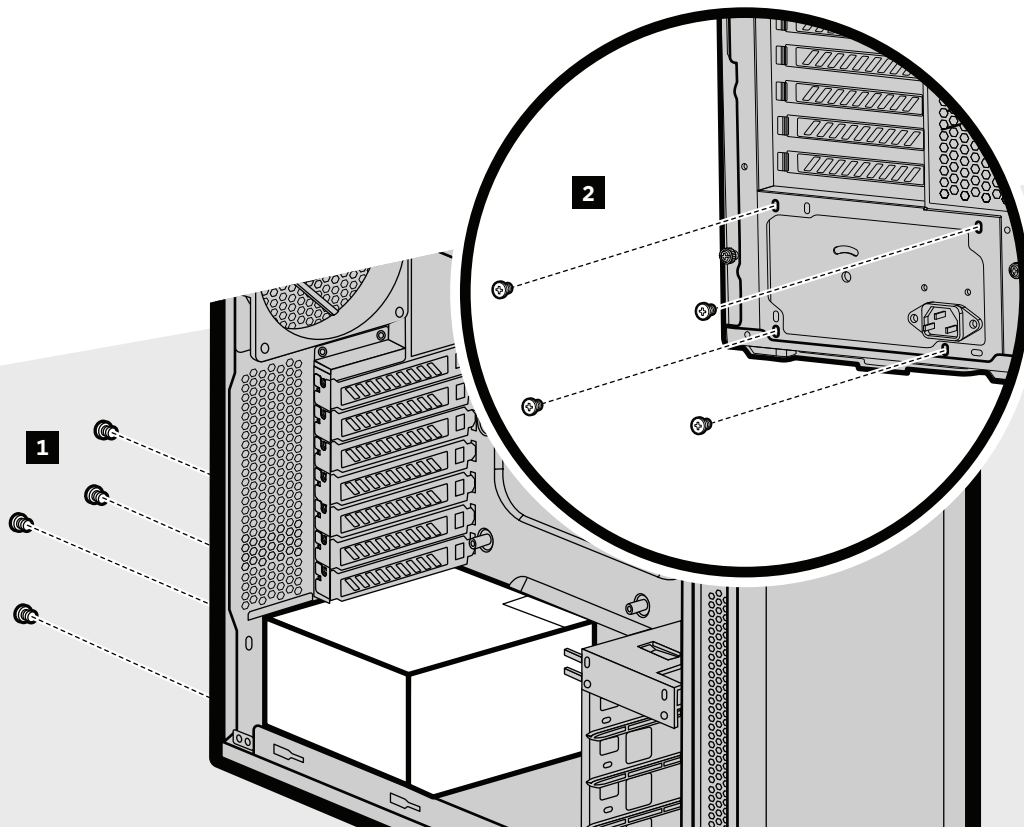
Installing the motherboard

- > Install your motherboard's I/O shield (see your motherboard's manual for guidance).
- > Align the motherboard with the standoffs in the case.
- > Secure with the included screws (MBD/HDD screws).

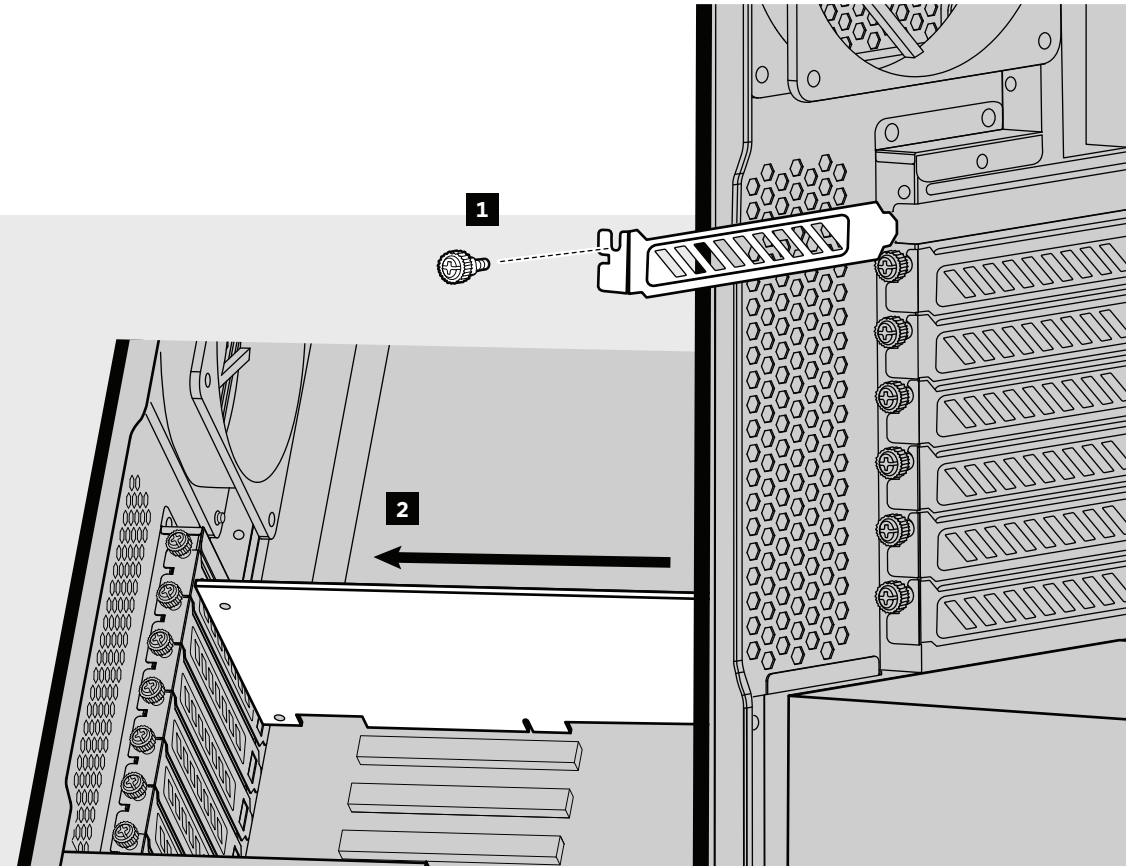


03**Installing the power supply (PSU)**

- > Unscrew and remove the PSU mounting bracket.
- > Place the PSU on the bottom of the case with the fan side facing outwards.
- > Align holes and secure with screws.

**04****Installing the PCI-E/PCI cards**

- > Remove thumbscrews and corresponding slot cover(s).
- > Install the add-on card and secure with thumbscrews.

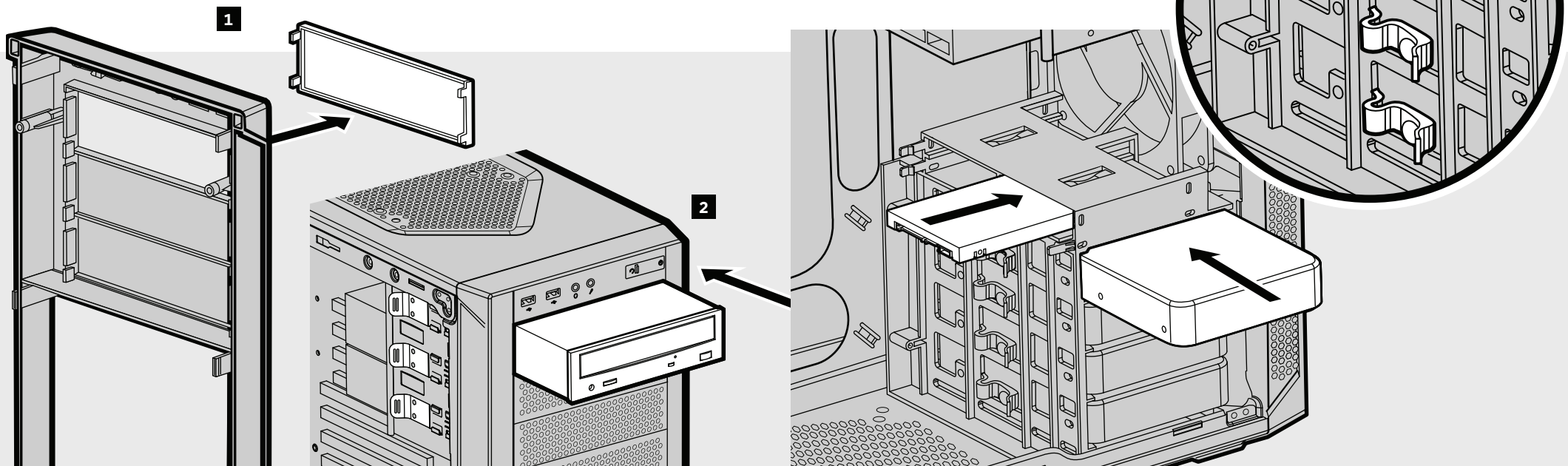


05**Installing a 5.25" drive/devices (ODD)**

- > Remove the front panel 5.25" drive bay cover.
- > Insert the ODD into the drive bay until the tool-free latch clicks, securing the drive.
- > To remove the drive, push the tool-free tab to release.

06**Installing a 3.5" HDD/ 2.5" SSD**

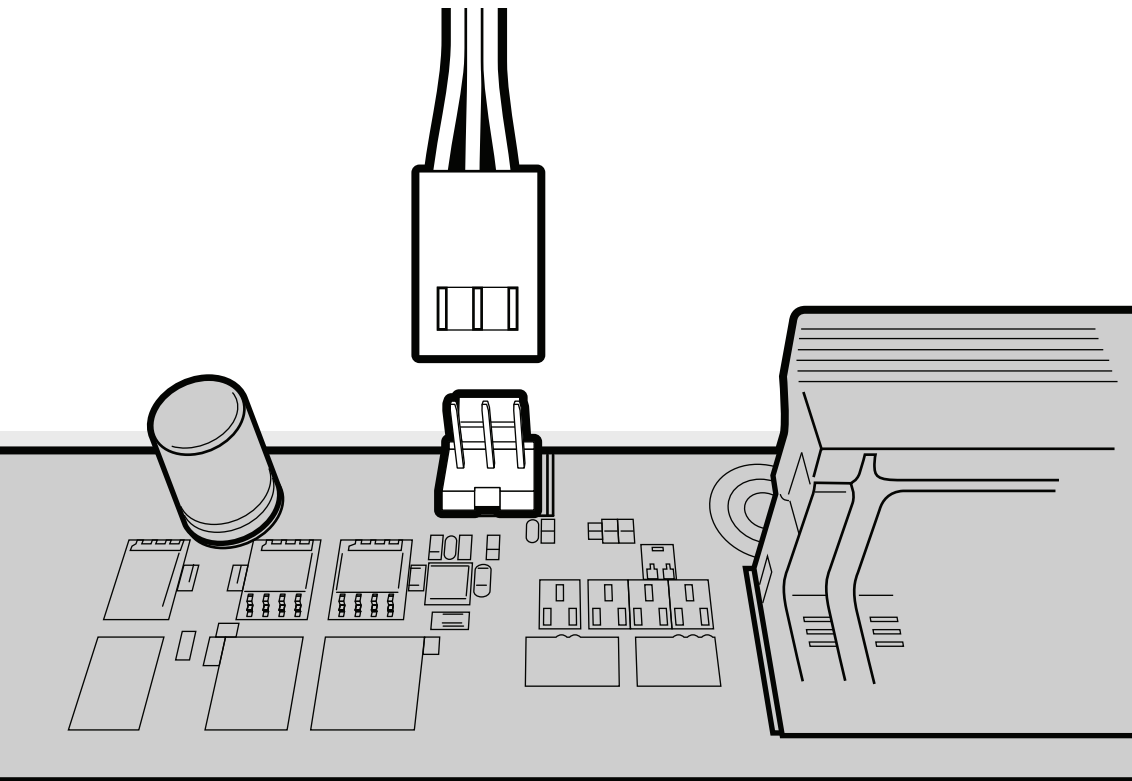
- > Place the drive into the tool-free cage until you feel it secure.
- > To remove the drive, pull the tabs to release.



07

Attach case fan cables to motherboard headers

> See your motherboard manual for fan header locations.



08

Installing the front I/O connectors

> See your motherboard manual for front panel header locations and pin-outs.

