

Please take time to read and understand these installation instructions.

CORSA recommends that installation of this system be performed by a qualified service center or professional muffler installer who has the necessary equipment, tools and experienced personnel. However, if you decide to perform this install, the use of a hoist and an additional person will be required.

CAUTION: Never work on a hot exhaust system. Allow time for the vehicle to cool. Always wear eye protection when working under a vehicle.

Please confirm that all parts are present before beginning the factory exhaust system removal and CORSA exhaust system installation.

Bill of Materials:

- Driver Side Rear Muffler Assembly (17CH2081)
- Passenger Side Rear Muffler Assembly (17CH2082)
- Driver Side Axle Pipe (17CH4105)
- Passenger Side Axle Pipe (17CH4104)
- X-Pipe Assembly (17CH2076)
- Hardware Kit (17CH7008)
- (1) Anti-seize Lube Pouch

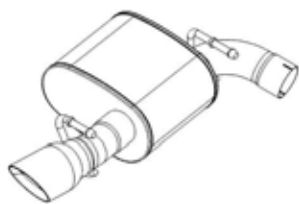
Recommended Tools:

- Safety Glasses
- 13mm Wrench
- 13mm Socket
- 15mm Socket
- Grommet Pullers
- 3/8" Ratchet
- 12" Ratchet Extension
- Torque Wrench
- Soap & Water Solution

Hardware Kit
(17CH7008)
(6) 2.75"
Clamps



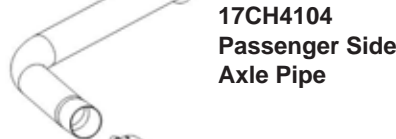
(1) Anti-Seize
Lube Pouch



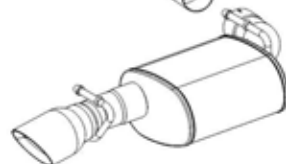
17CH2081
Driver Side Rear
Muffler Assembly



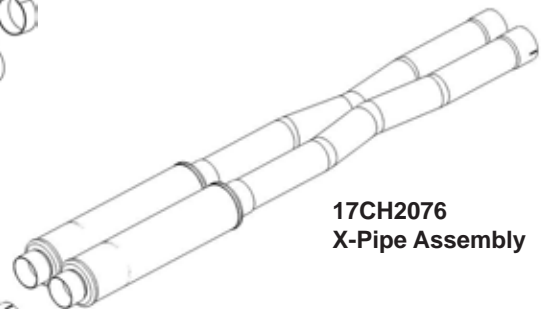
17CH4105
Driver Side
Axle Pipe



17CH4104
Passenger Side
Axle Pipe



17CH2082
Passenger Side Rear
Muffler Assembly



17CH2076
X-Pipe Assembly

Exhaust System Removal:

1. Remove the nuts and bolts that secure the driver side flange connection on the factory tunnel muffler using both a 13mm wrench and a 13mm socket and ratchet. **(See Fig. A)**
2. Unbolt the driver side rear hanger mounts from the chassis using a 13mm socket and ratchet, and a long extension. **(See Fig. B & C)**
3. Remove the driver side axle pipe hanger from the grommet shown here **(See Fig. D)** using grommet pullers or a similar device. Carefully remove the rear driver side section of the stock exhaust from the vehicle.

NOTE: The use of a soapy water solution may aid in the removal and later installation of the hangers in the rubber isolators.

4. With the rear driver section on the ground, remove the factory rear muffler hangers from the rubber isolators on the hanger mounts using a grommet puller or a similar device. **(See Fig. E & F)** Note the position and orientation of each hanger mount. Set aside the rear muffler hanger mounts and the retaining bolts to be reused during the installation process.
5. Unbolt the tunnel brace from beneath the factory exhaust using a 13mm socket and ratchet, and remove it from the chassis. **(See Fig. G)**
6. Remove the grounding clip from the passenger side rear muffler hanger. **(See Fig. H)**
7. Repeat step 2 for the passenger side rear hanger mounts.



FIG. A



FIG. B



FIG. C



FIG. D



FIG. E



FIG. F



FIG. G



FIG. H

8. Loosen the two clamps at the front of the factory exhaust system using a 15mm socket and ratchet. **(See Fig. I)**
9. Remove the passenger side axle pipe hanger from the grommet shown here **(See Fig. J)** using grommet pullers or a similar device. Carefully remove the remaining stock exhaust system from the vehicle. **(See Fig. K)**
10. Repeat step 4 for the passenger side. Removal is now complete. Installation of your CORSA Performance exhaust system can now begin.



FIG. I



FIG. J



FIG. K

CORSA Exhaust System Installation:

NOTE: Apply the anti-seize lubricant (supplied) to the threads **ONLY** of all the clamps and flange bolts. Failure to follow this procedure can cause nuts to seize on clamps and potentially destroy threads. After applying anti-seize lubricant, be sure to thoroughly clean hands as lubricant will tarnish stainless steel.

All clamps should be tightened using a properly calibrated Torque Wrench. Using an air impact gun will damage the clamp and reduce its ability to effectively seal the joint. It may also cause the joint to separate thereby causing damage to your exhaust system and your vehicle.

NOTE: Align all clamps so that the center of the clamp bolt is 90 degrees from the notch in the pipe **(See Fig. L)**

1. Remove all exhaust system components from both shipping cartons, including the six supplied clamps.
2. Locate the CORSA X-pipe assembly, and two of the 2.75" clamps. **(See Fig. M)** Place the two clamps over the inlet side of the X-pipe, then slide the X-pipe over the retained stock pipes until it is around 3/8" from bottoming out. **(See Fig. N)** Make sure the X-pipe is oriented properly when installed. **(See Drain Hole NOTE to right)** Next, snug the clamps using a 15mm socket and ratchet, leaving them loose enough for later adjustment.

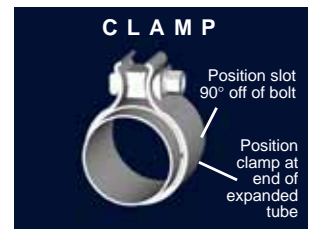


FIG. L



FIG. M



NOTE: IMPORTANT: Make sure that small drain holes of each tunnel muffler face down when installed.



FIG. N

3. Locate the driver side axle pipe assembly and another 2.75" clamp. **(See Fig. O)** Place the clamp over the inlet side of the pipe, then slide the pipe onto the end of the X-pipe assembly until it is around 3/16" from the muffler endcap. Next, insert the axle pipe hanger into the factory grommet. **(See Fig. P)** Rotate the axle pipe until the hanger is horizontal as it passes through the grommet, then snug the clamp using a 15mm socket and ratchet, leaving it loose enough for later adjustment.
4. Repeat step 3 for the passenger side axle pipe assembly. This pipe should be around 3/8" from the muffler endcap when properly positioned. **(See Fig. Q & R)** Both axle pipe hangers should be swung slightly forward of vertical, and be positioned directly across from each other, when the front to back position of both axle pipe assemblies are correct. **(See Fig. S)**

NOTE: The unbolted hanger assemblies from the removal process should now be installed onto the corresponding hangers on both of the CORSA rear mufflers by pushing the rubber grommets onto the hangers. Once again, a soapy water solution will aid in this installation process. **(See Fig. T & U)**

5. Locate the passenger side rear muffler assembly and another 2.75" clamp, as well as the retaining bolts for the factory hanger mounts. Place the clamp over the inlet side of the muffler, then slide the pipe onto the end of the axle pipe assembly. **(See Fig. V)** Align the hanger mounts with the mounting holes in the chassis, and secure with the 13mm bolts. **(See Fig. W & X)** Using a torque wrench, torque the 13mm bolts to 18 ft-lbs.



FIG. O



FIG. P



FIG. Q



FIG. R



FIG. S



FIG. T



FIG. U



FIG. V



FIG. W

6. Adjust the amount of overlap of the passenger side muffler inlet pipe onto the axle pipe until the exhaust tip looks properly positioned in the bumper opening (**See Fig. Y**), and then snug the clamp using a 15mm socket and ratchet, leaving it loose enough for later adjustment. The amount of pipe overlap should be just enough to prevent any gap from showing through at the base of the notch in the inlet pipe.
7. Insert the factory grounding clip onto the passenger side rear muffler hanger on the inlet side of the muffler.
8. Repeat steps 5 and 6 for the driver side rear muffler assembly. All rear muffler hangers should be swung noticeably forward of vertical when the front to back position of the rear muffler assemblies are correct. (**See Fig. Z**)
9. Visually inspect the exhaust system position, tip alignment, clamp orientation, and exhaust pipe clearance. Make any necessary adjustments at the slip joints.

NOTE: The driver side axle pipe has to pass through the point of least clearance in the chassis, between the driver side rear suspension mount and the spare tire well. The pipe should have a finger width or so minimum clearance to the rear suspension mount, and should favor the front of this channel, as the pipes will grow rearward when heated during vehicle operation. (**See Fig. AA**)

10. With the tips held in the desired location, start at the front of the vehicle and tighten the nuts on the clamps. Torque nuts to 45 ft-lbs. Verify clearances to underbody components after tightening.
11. Reinstall the factory tunnel brace onto the chassis, and secure with a 13mm socket and ratchet. Torque the nuts to 18 ft-lbs. (**See Fig. BB**)
12. It is **STRONGLY SUGGESTED** that all clamps be checked and re-tightened (if necessary) to the recommended torque after initial road testing of the vehicle, as thermal cycling has occurred on the system. Please wait until system has fully cooled to conduct this process.



FIG. X



FIG. Y



FIG. Z



FIG. AA



FIG. BB

NOTE: During cold weather start-ups, you may experience an exhaust sound that is deeper and louder in tone than usual. This is temporary and will diminish to normal levels once your engine has reached its normal operating temperature.

NOTE: Immediately following the installation of your exhaust system, you may experience a trace of smoke after initial start-up. DO NOT be alarmed. The smoke is caused by the burning of a small amount of forming oil residue used in the manufacturing process.