

# CADILLAC STS & SRX Exhaust System Installation

2005-07 Cadillac STS V8 PN 14157  
2005-07 Cadillac SRX V8 PN 14158



## PARTS LIST:

**STS:** DRIVER SIDE MUFFLER 15CS2014 / PASSENGER SIDE MUFFLER 15CS2016 /  
HARDWARE KIT 15CS7010

**SRX:** DRIVER SIDE MUFFLER 15CS2018 / PASSENGER SIDE MUFFLER 15CS2020 /  
HARDWARE KIT 15CS7010

**TOOLS NEEDED:** Safety glasses, Torque wrench, 15mm socket or wrench and  
chain cutter or saw

**CAUTION:** Prior to installation, be sure your vehicle is parked on a level surface, and the  
exhaust system is cool. For safety purposes and ease of installation, we urge you to take  
your vehicle to a qualified service center or muffler installer that employs the use of a lift.

All Torca clamps should be tightened using a properly calibrated Torque Wrench. Using an  
air impact gun will damage the clamp and reduce its ability to effectively seal the joint. It  
may also cause the joint to separate thereby causing damage to your exhaust system and  
your vehicle.



FIG. A

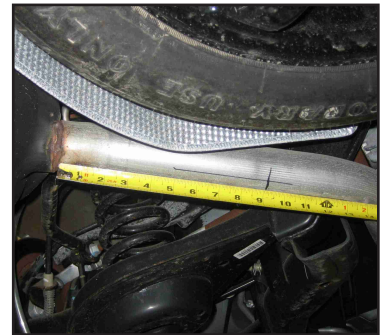


FIG. B

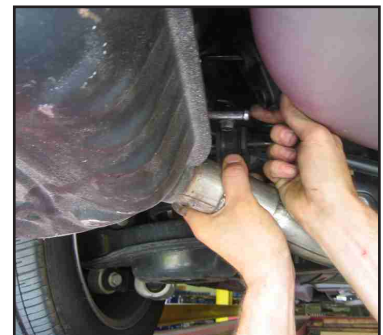


FIG. C



FIG. D

## Exhaust System Removal:

1. Measure 1.5" for STS (See Fig. A) or 9" for SRX (See Fig. B) before the driver side muffler inlet weld. Using a chain cutter or saw, cut the rear muffler off at this measurement.
2. Remove the hanger on the inlet side of the muffler from the rubber isolator. (See Fig. C).
3. Remove both hangers near the factory tips from the rubber isolators. (See Fig. D).

NOTE: Be sure to save all rubber isolators from the vehicle. They will be used to install the CORSA Performance exhaust system in later steps.

4. Repeat steps 1-3 for the passenger side muffler.

## CORSA Performance Exhaust System Installation:

1. Remove all exhaust system components from the shipping cartons, including clamps. NOTE: There are two 2.5-inch clamps supplied.

NOTE: Apply the anti-seize lubricant (supplied) to the threads ONLY of all the TORCA band clamps and flange bolts. Failure to follow this procedure can cause nuts to seize on clamps and potentially destroy threads. After applying anti-seize lubricant, be sure to thoroughly clean hands as lubricant will tarnish stainless steel.

2. Locate the driver side muffler assembly and one 2.5-inch clamp. Align the clamp as shown (See Fig. E & F).



3. Slide the inlet of the driver side muffler over the cut end of the factory pipe. Have the clamp in position on the muffler assembly, but do not tighten yet. (See Fig. G).
4. Slide the two hangers near the tip into the respective rubber isolators. Spraying the hanger with soapy water will aid the installation. (See Fig. H).
5. Slide the hanger on the inlet side of the muffler into the rubber isolator. (See Fig. I).
6. Repeat steps 1-5 for passenger's side.
7. Visually inspect the exhaust system position, tip alignment, clamp orientation (see exhaust system adjustment section) and exhaust pipe clearances. Make any necessary adjustments at the various slip joints.
8. When the exhaust system is in the desired location, tighten all TORCA clamps working from the front to rear of vehicle. Pay special attention to the clamp bolt distance from the rear sway bar. (See Fig. J). The bolt should be aligned as explained in Step 2, but may be rotated down slightly to avoid hitting the sway bar.

**Torque Setting: 45 ft.-lbs.**

9. It is mandatory that all clamps be checked and tightened if necessary after road testing the vehicle once the system has cooled.

**CORSA Performance Exhaust System Adjustment Section:**

There are two slip joint adjustment points when installing the CORSA Performance Exhaust system on the Cadillac STS and SRX. Both rotational adjustments and linear adjustments can be made where the CORSA Performance mufflers connect to the factory muffler inlet pipes (See Fig. K). Two misalignment situations will most likely be encountered. In the first situation, the exhaust tip is sitting too far outboard. In the second situation, the tip is sitting too low. Try sliding the muffler expansion off or further on to the factory inlet pipe approximately 1/16" to fix this issue. Also rotating the joint will effect the location of the tips. Using this slip joint for adjustments, the exhaust system can be completely centered in the bumper cut-outs (See Fig. L).



FIG. E

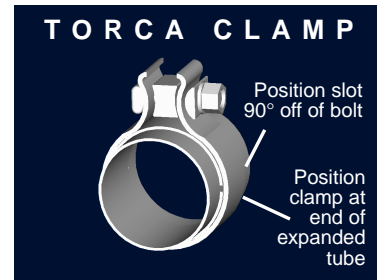


FIG. F



FIG. G

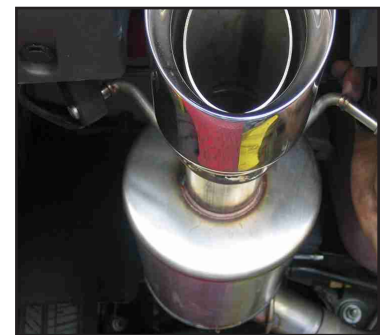


FIG. H



FIG. I



FIG. J



FIG. K

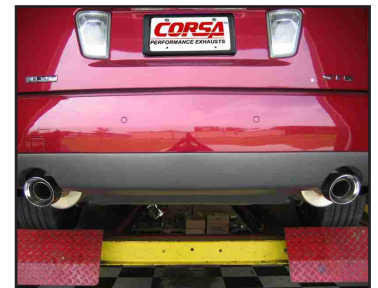
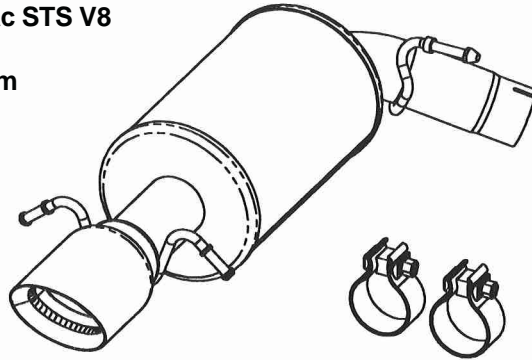


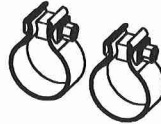
FIG. L

**PN 14157**

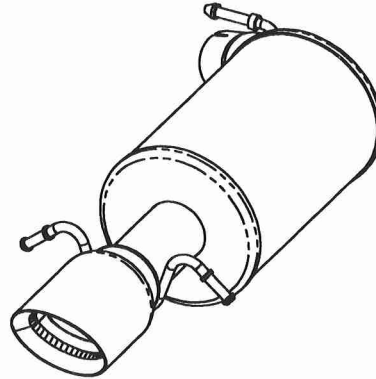
2005-07 Cadillac STS V8  
Dual Rear Exit  
Exhaust System



DRIVER SIDE  
MUFFLER  
15CS2014



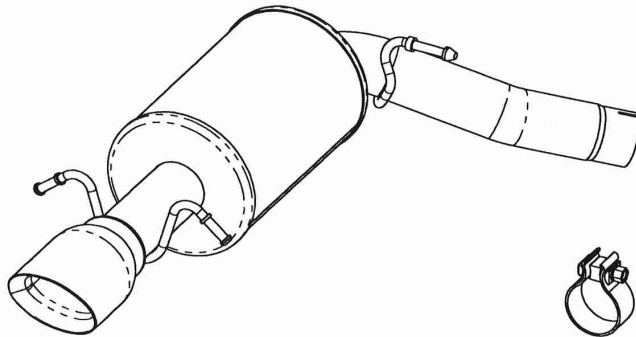
HARDWARE KIT  
15CS7010



PASSENGER SIDE  
MUFFLER  
15CS2016

**PN 14158**

2005-07 Cadillac SRX V8  
Dual Rear Exit  
Exhaust System

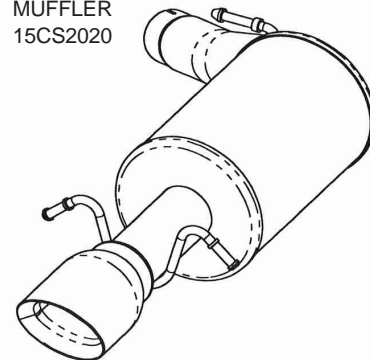


DRIVER SIDE  
MUFFLER  
15CS2018



HARDWARE KIT  
15CS7010

PASSENGER SIDE  
MUFFLER  
15CS2020



**NOTE:** During cold weather start-ups, you may experience an exhaust sound that is deeper and louder in tone than usual. This is temporary and will diminish to normal levels once your engine has reached its normal operating temperature.

**NOTE:** Immediately following the installation of your CORSA exhaust system, you may experience a trace of smoke after initial start-up. DO NOT be alarmed. The smoke is caused by the burning of a small amount of forming oil residue used in the manufacturing process.