



INSTALLATION INSTRUCTIONS

*Please Forward All Attached Information to Consumer
Warranty Not Valid Unless Returned to CORSA Exhaust*

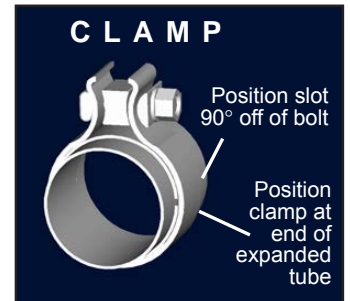


Please be sure to review the enclosed instructions prior to beginning the installation process.
If you have any questions about the enclosed parts, instructions or encounter a problem during
Installation: **CALL CORSA PERFORMANCE TECHNICAL ASSISTANCE.**

Please take time to read and understand these installation instructions.

CORSA recommends that installation of this system be performed by a qualified service center or professional muffler installer who has the necessary equipment, tools and experienced personnel. However, if you decide to perform this install, the use of a hoist and an additional person will be required.

CAUTION: Never work on a hot exhaust system. Allow time for the vehicle to cool. Always wear eye protection when working under a vehicle.



INSTALLATION NOTE:

Be sure to apply the provided anti-seize lubricant to all bolts, fasteners and clamps. A pouch is included with the hardware kit. Apply the supplied anti-seize lubricant to the threads **ONLY** of all TORCA band clamps. Failure to follow this procedure can cause the nuts to seize on clamps and potentially damage threads. **WARNING:** Be sure to thoroughly clean hands after use. Anti-seize lubricant will tarnish stainless steel parts. **All Torca clamps should be tightened using a properly calibrated Torque Wrench. Using an air impact gun will damage the clamp and reduce its ability to effectively seal the joint. It may also cause the joint to separate thereby causing damage to your exhaust system and your vehicle.**

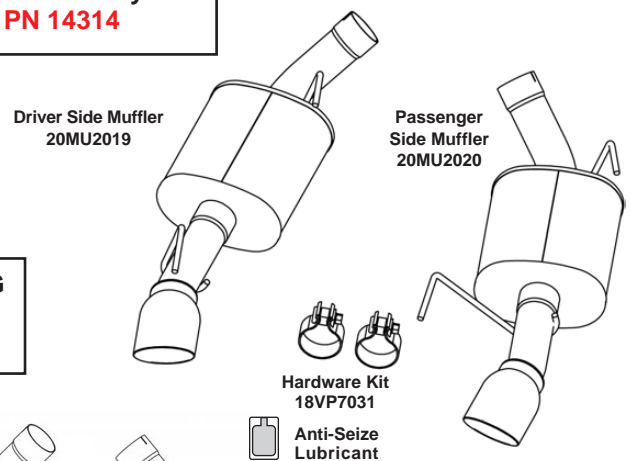
Bill of Materials:

- (1) Driver Side Muffler
- (1) Passenger Side Muffler
- (2) 2.5" Clamps (Hardware Kit)
- (1) Packet Anti-Seize Lubricant

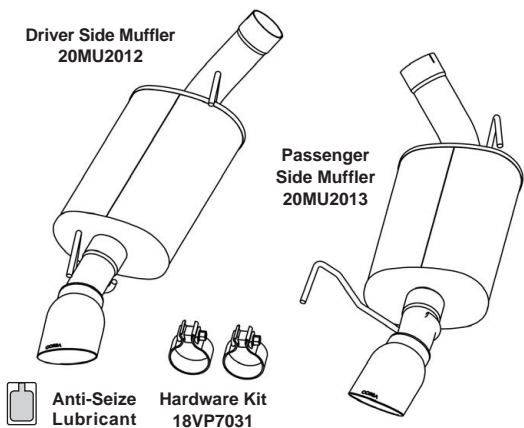
Recommended Tools:

- Safety glasses
- Torque wrench
- 15mm socket or wrench
- 13mm socket and an extension

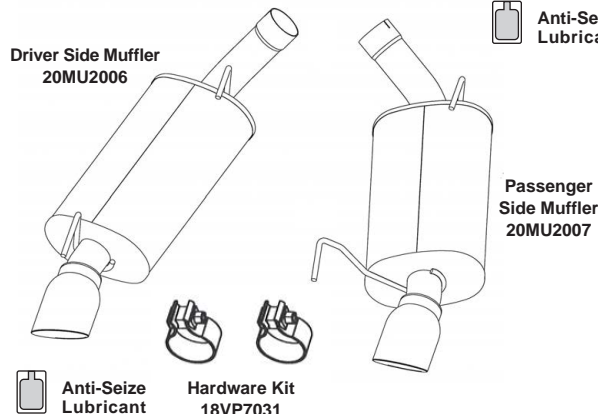
XTREME Exhaust System PN 14314



SPORT Exhaust System PN 14311



ULTIMATE TOURING Exhaust System PN 14313



Exhaust System Removal:

1. Using a 15mm socket or wrench, loosen the clamps before the passenger side and driver side mufflers (**See Fig. A**).
2. Using a 15mm socket or wrench, loosen the clamps after the h-pipe assembly (**See Fig. B**).
3. Using a 13mm socket wrench with an extension, remove the vertical bolt on the rear most rubber isolator above the passenger side muffler (**See Fig. C**).
4. Using a 13mm socket wrench with an extension, remove the horizontal bolt on the rear most rubber isolator above the passenger side muffler (**See Fig. D**).
5. Remove the rubber isolator (**See Fig. E**).

NOTE: Be sure to save all bolts and rubber isolators removed from the vehicle. They will be used to install the CORSA Performance exhaust system in later steps.

6. Slide the passenger side muffler off of the over the axle pipe (**See Fig. F**).
7. Slide the muffler out of the other rubber isolator and remove the passenger side muffler (**See Fig. G**).
8. Repeat steps 3-7 for the driver side muffler.



FIG. A

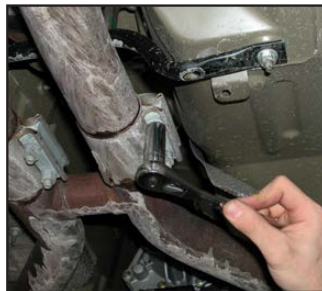


FIG. B



FIG. C



FIG. D



FIG. E



FIG. F



FIG. G

CORSA Performance Exhaust System Installation:

1. Remove all exhaust system components from the shipping cartons, including clamps. NOTE: There are two 2.5-inch clamps supplied.

NOTE: Apply the anti-seize lubricant (supplied) to the threads ONLY of all the TORCA band clamps and flange bolts. Failure to follow this procedure can cause nuts to seize on clamps and potentially destroy threads.

After applying anti-seize lubricant, be sure to thoroughly clean hands as lubricant will tarnish stainless steel.

2. Locate the passenger side muffler assembly and one 2.5-inch clamp. Align the clamp as shown. (See Fig. H).
3. Slide hanger at muffler inlet into rubber isolator (See Fig. I).
4. Slide passenger side rubber isolator removed earlier onto other muffler hanger (See Fig. J).
5. Using a 13mm socket wrench with an extension, reinstall the bolts and the rear most rubber isolator on the above the passenger side muffler (See Fig. K).
6. Slide the muffler inlet over the over axle pipe exit and tighten clamp (See Fig. L and Fig. M).
7. Repeat steps 1-6 for driver's side.
8. Visually inspect the exhaust system position, tip alignment, clamp orientation (see exhaust system adjustment section on page 4) and exhaust pipe clearances. Make any necessary adjustments at the various slip joints.
9. When the exhaust system is in the desired location, tighten all TORCA clamps working from the front to rear of vehicle.

Torque Setting: 45 ft.-lbs.

10. It is **STRONGLY SUGGESTED** that all clamps be checked and tightened if necessary after road testing the vehicle once the system has cooled.



FIG. H



FIG. I



FIG. J



FIG. K



FIG. L



FIG. M

CORSA Performance Exhaust System Adjustment Section:

There are three different adjustment points when installing the CORSA Performance Exhaust system. Rotational adjustments can be made where the factory over the axle pipes clamp to the factory h-pipe assembly (**See Fig. N**). Both rotational adjustments and linear adjustments can be made where the CORSA Performance mufflers connect to the factory over the axle pipes (**See Fig. O**). There are two misalignment situations most likely to be encountered. The first situation is where the exhaust tip is sitting too far outboard (**See Fig. P**). Try both rotational adjustments to fix this issue. The second situation is where the tip is sitting too low (**See Fig. Q**). Try sliding the muffler expansion off of the over the axle pipe around 1/16" to fix this issue. Using all three of these adjustments the exhaust system will be able to be completely centered in the bumper cut-outs (**see Fig. R**).

Adjustment Photos



FIG. N



FIG. O



FIG. P



FIG. Q



FIG. R

If you have any questions about the installation process, call CORSA Performance and ask one of our Sales & Technical Service Representatives. Do not attempt to make any modifications to parts as this will void your warranty.

NOTE: During cold weather start-ups, you may experience an exhaust sound that is deeper and louder in tone than usual. This is temporary and will diminish to normal levels once your engine has reached its normal operating temperature.

NOTE: Immediately following the installation of your CORSA exhaust system, you may experience a trace of smoke after initial start-up. DO NOT be alarmed. The smoke is caused by the burning of a small amount of forming oil residue used in the manufacturing process.