

Exhaust System Installation 1997-2004 Chevrolet C5 Corvette (incl. Z06)

XTREME Axle-Back Exhaust System
Dual Rear Exit w/ Twin 3.5" Pro-Series Tips **PN 14132**

XTREME Complete Cat-Back Exhaust System w/ XO-Pipe
Dual Rear Exit w/ Twin 3.5" Pro-Series Tips **PN 14114**

XTREME Axle-Back Exhaust System
Dual Rear Exit w/ Twin 4.0" Pro-Series Tips **PN 14961**

XTREME Complete Cat-Back Exhaust System w/ XO-Pipe
Dual Rear Exit w/ Twin 4.0" Pro-Series Tips **PN 14962**

Please take time to read and understand these installation instructions.

CORSA recommends that installation of this system be performed by a qualified service center or professional muffler installer who has the necessary equipment, tools and experienced personnel. However, if you decide to perform this install, the use of a hoist and an additional person will be required.

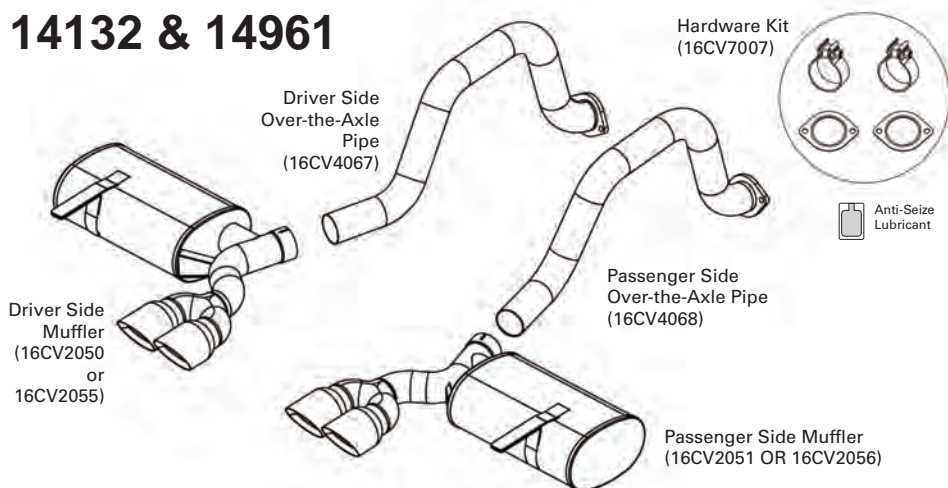
CAUTION: Never work on a hot exhaust system. Allow time for the vehicle to cool. Always wear eye protection when working under a vehicle.

Please confirm that all parts are present before beginning the factory exhaust system removal and CORSA exhaust system installation.

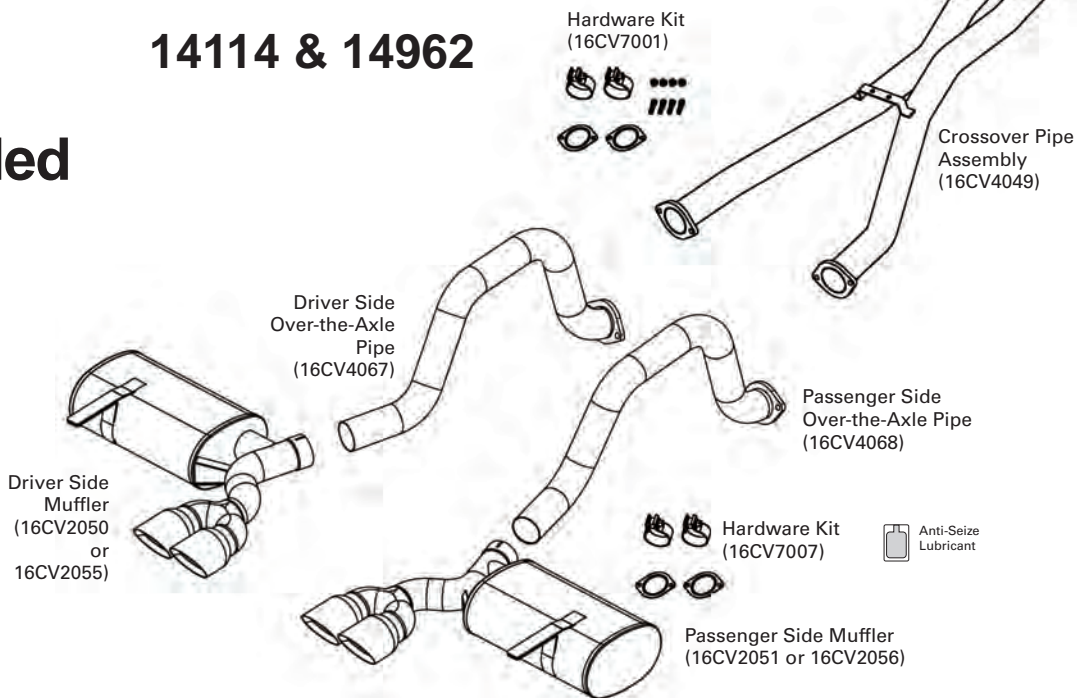
Bill of Materials:

- Driver Side Muffler (16CV2050 or 16CV2055)
- Passenger Side Muffler (16CV2051 or 16CV2056)
- Driver Side Over-the-Axle Pipe (16CV4067)
- Passenger Side Over-the-Axle Pipe (16CV4068)
- Hardware Kit (16CV7007)
- Packet of Anti-Seize

14132 & 14961



14114 & 14962



Recommended Tools:

- Safety Glasses
- Torque wrench
- 10mm deepwell socket or wrench
- 13mm socket
- 15mm socket
- 18mm socket
- 15mm wrench
- 9/16" socket
- 1/2" drive ratchet
- 6" extension

**Exhaust System Installation
 1997-2004 Chevrolet C5 Corvette (incl. Z06)**

XTREME Axle-Back Exhaust System Dual Rear Exit w/ Twin 3.5" Pro-Series Tips	PN 14132
XTREME Complete Cat-Back Exhaust System w/ XO-Pipe Dual Rear Exit w/ Twin 3.5" Pro-Series Tips	PN 14114
XTREME Axle-Back Exhaust System Dual Rear Exit w/ Twin 4.0" Pro-Series Tips	PN 14961
XTREME Complete Cat-Back Exhaust System w/ XO-Pipe Dual Rear Exit w/ Twin 4.0" Pro-Series Tips	PN 14962

Removal of Stock System:

NOTE: Your C5 must be raised high enough to remove the one-piece stock mufflers and Over-axle Pipes.

- Using an 18mm socket, remove the four bolts securing the rear sway bar to the chassis and let the sway bar drop down out of the way **(See Fig. A)**.
- Unbolt each of the Over-Axle Pipes at the front flange using a 15mm socket where they bolt to the H-pipe. Unbolt Rear Muffler hangers using a 13mm socket with extension from frame and remove. Do not unbolt or remove the catalytic converters or H-pipe **(See Fig. B)**.
- Carefully remove each stock muffler by pulling muffler hanger from rubber hanger mount. To facilitate removal you can remove rubber hanger mount and bolts. (Owners of 1999 and newer models will need to remove 4 bolts and 2 heat shields, 1 each side, in order to remove stock mufflers, Automatic Transmissions only) **See Fig. C.**



FIG. A



FIG. B



FIG. C

Installation of CORSA Exhaust System:

CORSA PNs 14114 & 14962 requires the installation of the XO-Pipe. Refer to Crossover Pipe Installation Instructions (INS5009) in Crossover Pipe box.

NOTE: Apply the anti-seize lubricant (supplied) to the threads **ONLY** (See FIG. D) of all the clamps and flange bolts. Failure to follow this procedure can cause nuts to seize on clamps and potentially destroy threads. After applying anti-seize lubricant, be sure to thoroughly clean hands as lubricant will tarnish stainless steel. All clamps should be tightened using a properly calibrated Torque Wrench. Using an air impact gun will damage the clamp and reduce its ability to effectively seal the joint. It may also cause the joint to separate thereby causing damage to your exhaust system and your vehicle. See Fig. E for proper clamp positioning.



FIG. D

- Install the CORSA Over-Axle Pipes, one at a time, making sure to use the new gaskets and hardware provided, and tighten bolts **(See Fig. F)**. Be sure to sand or scrape any residue from flanges to ensure proper seating. **(See Fig. G)**.
- Reinstall the 2 heat shields and 4 bolts for each (1999 and newer models, automatic transmission only).
- Reinstall Rear Muffler rubber hanger mounts frame and tighten bolts to factory specifications.
- Install the new CORSA mufflers, one at a time, and tighten clamp.

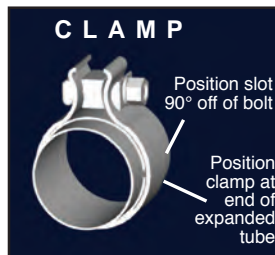


FIG. E



FIG. F



FIG. G

**Exhaust System Installation
1997-2004 Chevrolet C5 Corvette (incl. Z06)**

XTREME Axle-Back Exhaust System Dual Rear Exit w/ Twin 3.5" Pro-Series Tips	PN 14132
XTREME Complete Cat-Back Exhaust System w/ XO-Pipe Dual Rear Exit w/ Twin 3.5" Pro-Series Tips	PN 14114
XTREME Axle-Back Exhaust System Dual Rear Exit w/ Twin 4.0" Pro-Series Tips	PN 14961
XTREME Complete Cat-Back Exhaust System w/ XO-Pipe Dual Rear Exit w/ Twin 4.0" Pro-Series Tips	PN 14962

Lightly tighten the muffler clamps to the Over-Axle Elbow Pipes and check alignment of tips from rear end of car. Use a straight edge to verify that the exhaust tips are parallel. Adjust as necessary, then tighten clamps.

Clamp Torque Setting: 45 ft.-lbs.

5. Reinstall the sway bar with 18mm socket and tighten to factory specifications. Take care not to cross thread bolts (**See Fig. H**).
6. Once installation is complete, start engine and check that there are no leaks or rattles.
7. It is **STRONGLY RECOMMENDED** that all clamps and fasteners be checked and re-tightened (if necessary) after a road test. Make sure the system has cooled prior to touching any exhaust components.



FIG. H

NOTE: During cold weather start-ups, you may experience an exhaust sound that is deeper and louder in tone than usual. This is temporary and will diminish to normal levels once your engine has reached its normal operating temperature.

NOTE: Immediately following the installation of your CORSA exhaust system, you may experience a trace of smoke after initial start-up. **DO NOT** be alarmed. The smoke is caused by the burning of a small amount of forming oil residue used in the manufacturing process.