

Exhaust System Installation

1986-91 L98 Corvette

PN 14115

TOOLS NEEDED: Safety glasses, 15mm and 1/2" socket or wrench, 9/16" socket or wrench, Torque wrench

PARTS LIST: Intermediate Pipe (16CX4032), Mid Pipes (16CX4029 & 16CX4031), Passenger Muffler (16CX2003), Driver Muffler (16CX2005), (4) 2-1/2" Clamps

CAUTION: Prior to installation, be sure your vehicle is parked on a level surface, and the exhaust system is cool. For safety purposes and ease of installation, we urge you to take your vehicle to a qualified service center or muffler installer that employs the use of a lift.

All Torca clamps should be tightened using a properly calibrated Torque Wrench. Using an air impact gun will damage the clamp and reduce its ability to effectively seal the joint. It may also cause the joint to separate thereby causing damage to your exhaust system and your vehicle.

Stock Exhaust System Removal:

1. Using a 9/16" socket or wrench, remove the u-bolt clamps from behind the rear mufflers on each side (**See Fig. A**). After removing clamps, separate the muffler at the joint and remove by sliding out of rear hanger (**See Fig's AA & AB**).

NOTE: Due to corrosion, these bolts may be difficult to loosen. If this is the case, the clamps can be cut off or the entire system can be removed as one piece.

-If mufflers are removed, skip to step 3.

2. To remove the stock system as one piece, loosen the 15mm nut on the rear hanger of muffler and slide the hanger rearward to clear the threaded stud (**See Fig's B & C**). Repeat for both sides. These hangers can be removed from the grommets; they are not reused for the installation of the CORSA exhaust.
3. Remove the bolt and nut (15mm & 1/2") from the rubber strap hanger (**See Fig. D**) and save for reuse. Use caution and support the now loose rear section of the stock system, as it will be supported only by the two flange bolts.



FIG. A



FIG. AA



FIG. AB

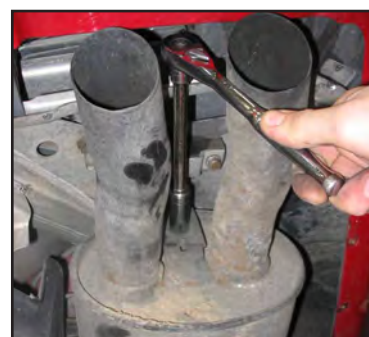


FIG. B



FIG. C

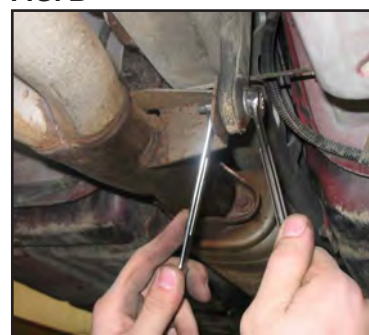


FIG. D

- Next, remove the flange bolts with a 1/2" socket or wrench (See Fig. E & F); save these bolts as they will be reused.
- Remove the factory exhaust system.

CORSA Exhaust System Installation:

- Remove all exhaust system components from the shipping cartons, including clamps. NOTE: There are four 2-1/2" clamps supplied.

INSTALLATION NOTE:

Be sure to apply the anti-seize lubricant that has been provided to all bolts, fasteners and clamps. A pouch with anti-seize lubricant is included with the hardware kit. Apply the supplied anti-seize lubricant to the threads **ONLY** of all TORCA band clamps. Failure to follow this procedure can cause the nuts to seize on clamps and potentially damage threads.

WARNING: Be sure to thoroughly clean hands after use. Anti-Seize lubricant will tarnish stainless steel parts.

- Locate the Intermediate Pipe labeled: 16CX4032 (See Fig. G) and loosely thread the flange bolts (1/2") onto the catalytic converter (See Fig. H).
- Next tighten the bolt and nut (15mm & 1/2") through the rubber strap hanger and through the hole in the intermediate pipe bracket (See Fig. I).
- Locate the passenger Mid Pipe labeled: 16CX4031, and slide a 2.5-inch TORCA clamp over the expanded end of Mid Pipe. (See Fig. J)
- Slide expanded end of Mid Pipe over Intermediate Pipe. Snug fit clamp using 15mm socket or wrench (See Fig K & L).



FIG. E



FIG. F

CORSA[®]
PERFORMANCE EXHAUSTS



FIG. G

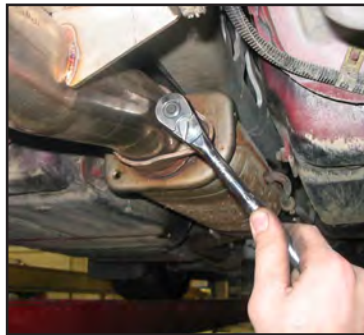


FIG. H



FIG. I



FIG. J



FIG. K



FIG. L

6. Place a 2.5-inch TORCA clamp over the expanded inlet of the passenger Muffler labeled: 16CX2003 (See Fig M). Then slide the hanger into the rubber isolator (See Fig N). Once the hanger is through the isolator, slide the end of the Mid Pipe into the expanded inlet of the Muffler and snug fit the clamp (See Fig. O).
7. Repeat steps 5 & 6 for driver's side using Mid Pipe: 16CX4029 and driver Muffler: 16CX2005.
8. Check alignment of tips. Make sure that there is at least 1/2 inch of clearance between the tips and the bottom of the bumper. Adjust pipes at slip joints as necessary.
9. Start by tightening the two flange bolts and then tighten all TORCA clamps checking to make sure clamps are positioned and tightened (See Fig. P). **Clamp Torque Setting: 45 ft.-lbs.**
10. It is STRONGLY SUGGESTED that all clamps be checked and retightened if necessary after road testing the vehicle. Allow the system to cool before retightening.



FIG. M



FIG. N



FIG. O

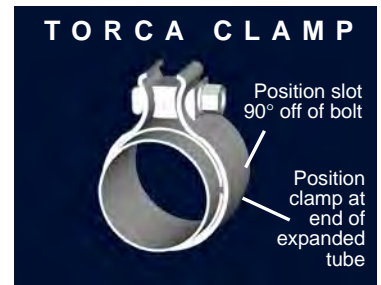


FIG. P

CORSA Performance Exhaust System Adjustment Section:

There are adjustment points at every clamp location with the CORSA Performance Exhaust system for the '86-'91 L98 Corvette system:

- The muffler can be rotated so that the tips sit level and are spaced correctly to bottom of bumper (See Fig Q).
- More rotational adjustments can be made where the Mid Pipes clamp to the Intermediate Pipe (See Fig R).

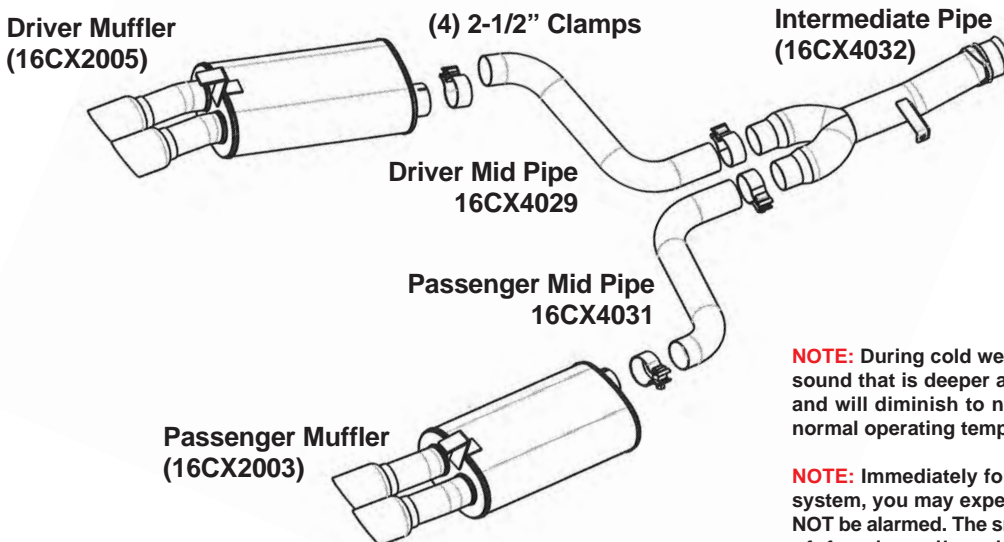
TECHNICAL ASSISTANCE: (800)486-0999



FIG. Q



FIG. R



NOTE: IMPORTANT: Make sure that the small drain hole in muffler faces down when muffler is installed.

NOTE: During cold weather start-ups, you may experience an exhaust sound that is deeper and louder in tone than usual. This is temporary and will diminish to normal levels once your engine has reached its normal operating temperature.

NOTE: Immediately following the installation of your CORSA exhaust system, you may experience a trace of smoke after initial start-up. DO NOT be alarmed. The smoke is caused by the burning of a small amount of forming oil residue used in the manufacturing process.