



## INSTALLATION INSTRUCTIONS

P/N: C2032

### OFFSET SPRING HANGERS

This product is designed to relocate the rear of the leaf springs inboard 4" providing 2-1/2" of additional tire clearance. Modifications to the axle mounting pads and the inner fenderwells are required for proper installation. This will allow the use of 14" tread width racing tires. **Offset Spring Hangers are not for use in conjunction with weld-in frame connectors.**

NOTE: This kit is designed for use with the stock rubber spring bushings. Use of urethane bushings requires that the outside diameter of the bushing be reduced. This can be accomplished by grinding or filing the bushings outside diameter.

### PARTS LIST

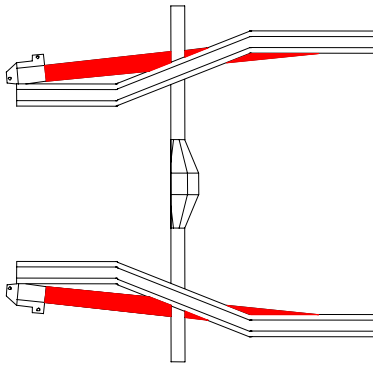
- |                        |                            |
|------------------------|----------------------------|
| 1) Spring Hanger, Left | 1) Spring Hanger, Right    |
| 2) Square End Plates   | 2) 7/16"-20 x 3-1/2" Bolts |
| 2) 7/16"-20 Locknuts   | 4) 1/4"-20 x 1" Bolts      |
| 4) 1/4"-20 Locknuts    |                            |

### INSTALLATION

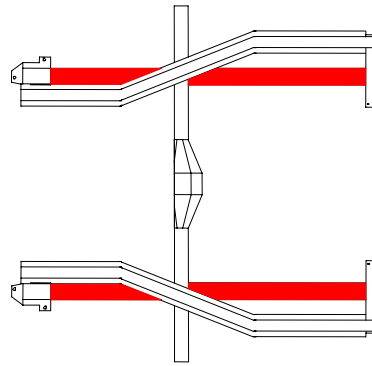
1. Jack up vehicle and support with jackstands under the rear frame rails.
2. Drain and remove the gas tank.
3. Unbolt the rear housing from the springs and drop the rear of the springs by removing the stock rear spring shackles.
4. Starting on the driver's side frame rail, mount the new spring hanger on the car by fitting the dimpled end of the hanger against the hole in the frame where the stock rubber bushing used to be.
5. Place one of the square end plates on the opposite side of the frame rail with the dimple facing in. Secure these two parts with the supplied 7/16" bolts and locknuts.
6. With the spring hanger in place, drill up through the two small holes into the trunk and bolt the hanger securely to the floor using the supplied 1/4" hardware.
7. Loosen the three bolts that hold the front spring perch to the car and swing the rear of the spring under the new spring hanger.

NOTE: From the factory the springs are mounted closer to each other in the front than in the rear. The factory mounting system allows the perch to be moved around for alignment. The spring should not be forced into its new position. Pushing it slightly past its intended mounting location will allow it to fit easier. Enlargement of the front spring perch holes may be necessary.

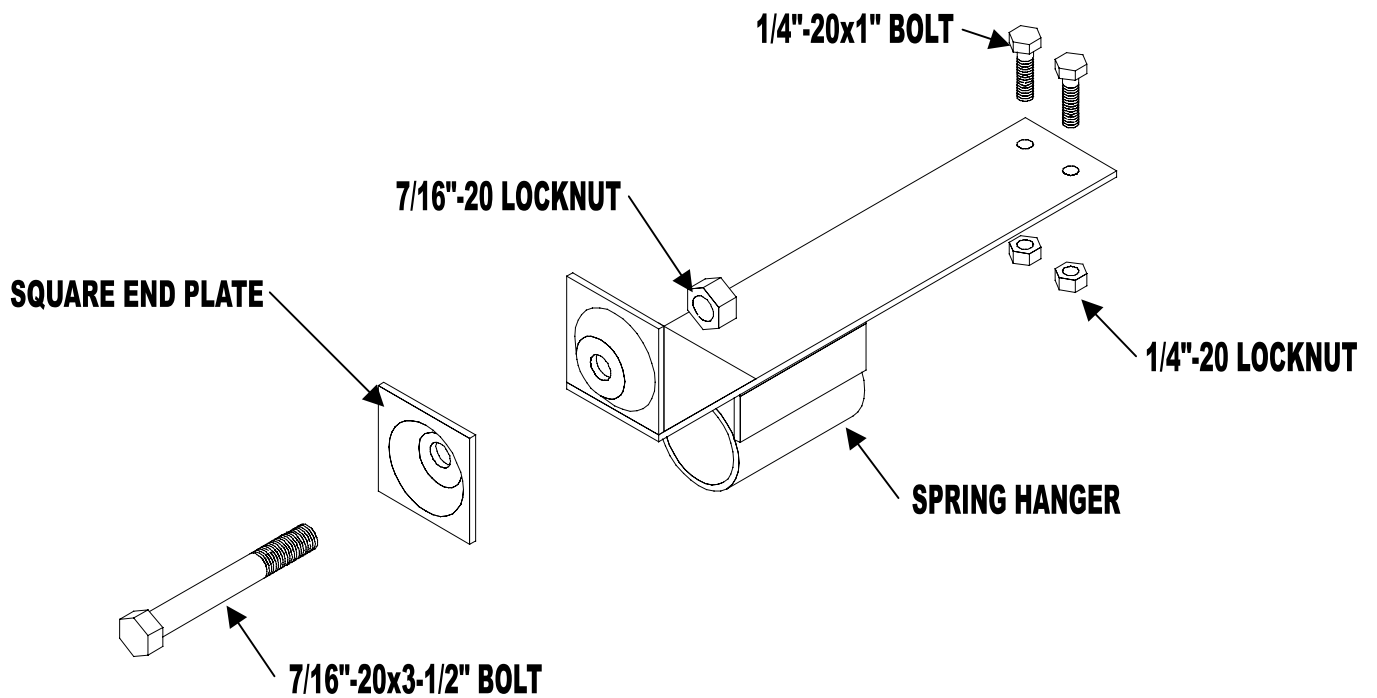
8. The spring may now be mounted on the spring hanger using the stock rubber bushings, shackle plates and bolts.
9. Tighten all bolts.
10. Take dimensions of the new installed spring widths. Modify the axle spring pad location accordingly.
11. If you are going to reuse the stock gas tank, it must be notched approx. 7" on each side for clearance. This is a dangerous procedure for a homebuilder. Competition Engineering recommends you have a professional tank repair shop perform this operation.



**BEFORE**



**AFTER**



*For Technical Assistance, call Competition Engineering's Tech Line at (203) 458-0542, 8:30am-5:00pm Eastern Time*

**COMPETITION ENGINEERING**  
80 Carter Drive • Gullford, CT 06437  
Phone: (203) 453-5200 • Fax: (203) 453-6906