

## 603 - 2.3 Timing Tensioner Tool Instructions



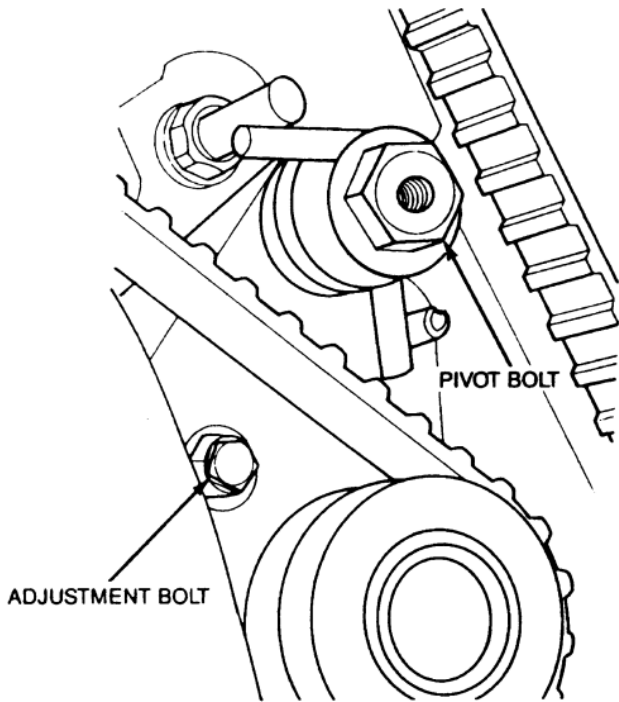
### SPECIAL NOTES:

- The use of a factory service manual is highly recommended. These can be purchased online.
- Company23 is not responsible for damage done to your vehicle as a result of misuse of this product.
- Company23 does its best to ensure the accuracy of this manual but is not responsible for errors.
- **NOTE: Compressed springs store a lot of energy. Always be sure to use eye protection and any other prudent safety equipment. Familiarize yourself with the procedure in the factory service manual and in this manual before beginning the task.**

### TIMING BELT TENSIONER TOOL OPERATING INSTRUCTIONS:

Step 1) Expose the timing belt system by removing any covers over the timing belt system. Ensure that the timing marks are indexed properly per the factory service manual procedures to prevent difficulty starting the engine after reassembly.





Step 2) Clean female threads in pivot bolt. Loosen the pivot bolt  $\frac{1}{4}$ - $\frac{1}{2}$  turn. Install and firmly tighten the timing belt tensioner tool to the pivot bolt using all of the supplied hardware ensuring that the washer is between the tool bolt head and the timing belt tensioner tool as shown. **Make sure the pivot bolt remains slightly loose.** Additionally, the pivot spacer must be firmly secured between the head of the pivot bolt and the tensioner tool pivot bolt. The tensioner tool should be free to rotate on the pivot spacer when installed.



Step 3) Loosen the adjustment bolt slightly but do not remove it. Use a 3/8" square drive wrench to pivot the tensioner away from the timing belt.



Step 4) While holding the tensioner off of the belt, tighten the adjustment bolt to hold the tensioner in place while you perform your task.





Step 5) When work is complete, release the tensioner by loosening the adjustment bolt and allow the tensioner to apply tension to the timing belt. Remove the timing belt tensioner tool and tighten the timing belt tensioner hardware to the factory torque specifications.

Step 6) Store the hardware with the tool for future use.



The 2.3 Timing Belt Tensioner Tool is a replacement for the factory service tool T74P-6254-A.