

FANMATE®

FEATURING EZClip™ by MAXXAIR® VENTILATION SOLUTIONS

SUPERIOR RAIN PROTECTION • OPTIONAL BUG SCREEN



ASSEMBLY AND INSTALLATION INSTRUCTIONS
FOR MODELS: SMOKE 755, WHITE 855, AND BLACK 955

READ AND SAVE THESE INSTRUCTIONS

WARNING: Improper installation, adjustment, alteration, service or maintenance will void warranty and can cause property damage, personal injury or loss of life. Installation of this unit must be made in accordance with the written instructions provided in this manual. No agent, representative or employee of AIRXCEL, INC. or other person has the authority to change, modify or waive any provision of the instructions contained in this manual.

CONTENTS

QTY	DESCRIPTION	QTY	DESCRIPTION
1	Vent Cover Body	4	#8-32 x 1/2" SS Phillips Head Screws
1	Louver Section	4	#8 SS Nuts
4	Aluminum Brackets	4	#8 SS Fender Washers
4	EZClip™ Pins	4	#8 SS Lock Washers
8	#6 x 1/2" SS Self-tapping Screws (for installation over high-powered fans)		

TOOLS REQUIRED

DESCRIPTION
POWER DRILL with 3/16" & 3/32" drill bits
Adjustable Wrench (or 11/32" end wrench)
Phillips Head Screwdriver (#2)
Pencil

OPTIONAL BUG SCREENS AVAILABLE FOR LOUVER SECTION

FOR SMOKE 755 FANMATE®, ORDER SCREEN P/N: 00-955203

FOR WHITE 855/BLACK 955 FANMATE®, ORDER SCREEN P/N: 00-955202

SEE RV DEALER, PARTS SUPPLIER OR RETAILER FOR DETAILS

ASSEMBLY OF FANMATE® VENT COVER

1. Place FANMATE® Vent Cover Body on a flat surface.
2. Lay Louver section behind opening of vent cover body with tabs up as shown in Figure 1.
3. Slide oval shaped tabs on Louver section through the slots on the Vent Cover Body.
4. Rotate Louver section upward and snap into top of the Vent Cover Body. Make sure the Louver edge goes behind the tabs inside of the Vent Cover Body as shown in Detail A in Figure 2.
5. Be sure all three (3) snaps are secured and both oval shaped tabs remain in the slots as shown in Details B and C in Figure 2.
6. This concludes the Assembly of the FANMATE® Vent Cover. Please proceed to the **INSTALLATION INSTRUCTIONS**.

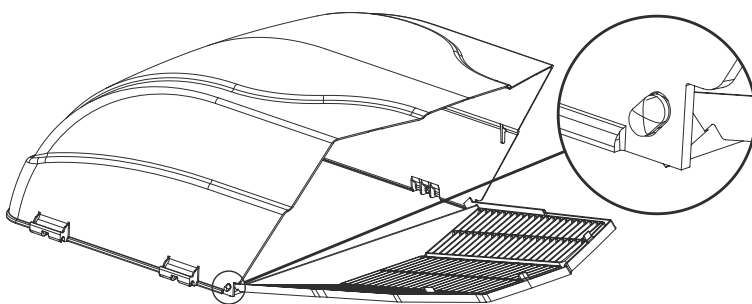


Figure 1

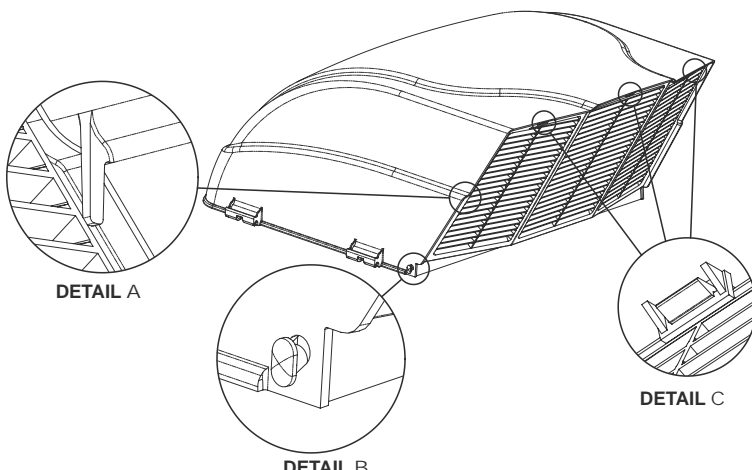


Figure 2

INSTALLATION INSTRUCTIONS FOR MAXXFAN® and MAXXFAN® Plus FANS WITH BUILT-IN Mounting tabs

1. Place FANMATE® over the four (4) mounting tabs on the MAXXFAN® with the louvers facing the rear of the vehicle. See Figure 3.
2. Slide the EZClip™ pins into place as shown in Figure 4. Rotate the EZClip™ pins upward to lock into position on top of the mounting tabs.

INSTALLATION INSTRUCTIONS FOR MAXXFAN® STANDARD FANS WITHOUT BUILT-IN Mounting tabs

1. Remove the plastic plugs from the side walls of the MAXXFAN® and fasten the mounting brackets into the pre-drilled holes using the #6 x 1/2" screws provided.
2. Slide the EZClip™ pins into place as shown in Figure 4. Rotate the EZClip™ pins upward to lock into position on top of the mounting tabs.

PLEASE REFER TO THE REVERSE SIDE OF THIS INSTRUCTION SHEET FOR ADDITIONAL INSTALLATION OPTIONS.

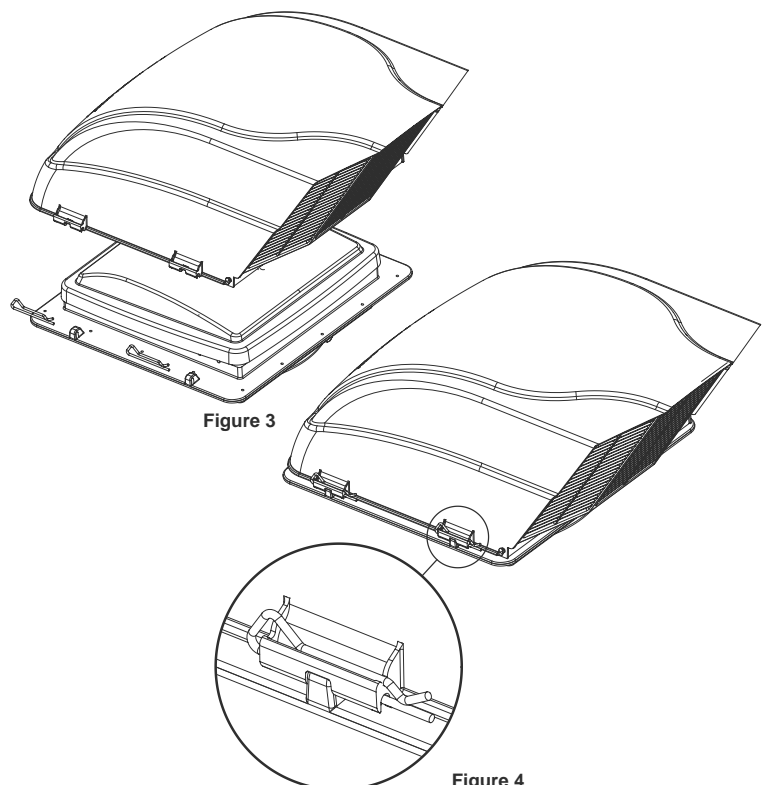


Figure 3

Figure 4

INSTALLATION INSTRUCTIONS

FOR STANDARD ROOF VENTS AND MOST HIGH-POWERED FANS

1. Install two (2) brackets to one side of the FANMATE® using two (2) of the EZClip™ pins provided. See Figure 5.
2. With the louvers facing the rear of the vehicle, slide the FANMATE® up against the side of your roof vent or fan as shown in Figure 6. Center the brackets front to back on vent side wall.
 - A. FOR STANDARD ROOF VENTS:**
 - i. Mark the center of the slot of the brackets onto the side wall of the vent.
 - ii. Drill a 3/16" hole at each mark through the side wall of the vent.
 - iii. Fasten the brackets to the roof vent using the #8-32 screws with the fender washer, lock washers and nuts on the inside of the roof vent side wall. See Figure 7.
 - B. FOR FANTASTIC VENT OR SHURFLO FANS:**
 - i. Mark the two (2) outer holes of each bracket onto the side wall of your fan.
 - ii. Drill a 3/32" pilot hole at the center of each mark. DO NOT drill more than 1/2" deep to avoid damaging internal wiring.
 - iii. Fasten the brackets to the fan side wall using two (2) #6x1/2" long screws provided for each bracket. See Figure 8.
3. Close the FANMATE® and mark the location of the feet onto the roof on the opposite side. See Figure 9.
4. Line up the remaining two (2) brackets with the marks just made in step 3 on the roof as shown in Figure 9.

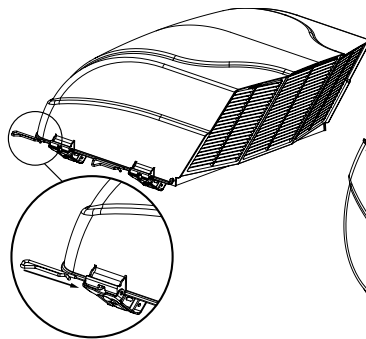


Figure 5

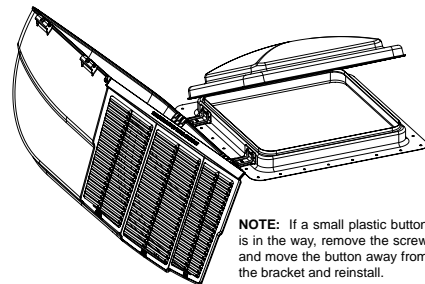


Figure 6

NOTE: If a small plastic button is in the way, remove the screw and move the button away from the bracket and reinstall.

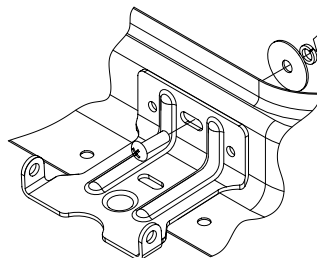


Figure 7

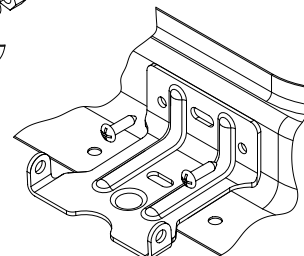


Figure 8

- A. FOR STANDARD ROOF VENTS:**
 - i. Mark the center of the slot of the brackets onto the side wall of the vent.
 - ii. Drill a 3/16" hole at each mark through the side wall of the vent.
 - iii. Fasten the brackets to the roof vent using the #8-32 screws with the fender washer, lock washers and nuts on the inside of the roof vent side wall. See Figure 7.
 - B. FOR FANTASTIC VENT OR SHURFLO FANS:**
 - i. Mark the two (2) outer holes of each bracket onto the side wall of your fan.
 - ii. Drill a 3/32" pilot hole at the center of each mark. DO NOT drill more than 1/2" deep to avoid damaging internal wiring.
 - iii. Fasten the brackets to the fan side wall using two (2) #6x1/2" long screws provided for each bracket. See Figure 8.
5. Close the FANMATE® and slide the other two (2) clips into place as shown in Figure 10. Rotate the EZClip™ pins upward to lock into position on top of the mounting tabs.

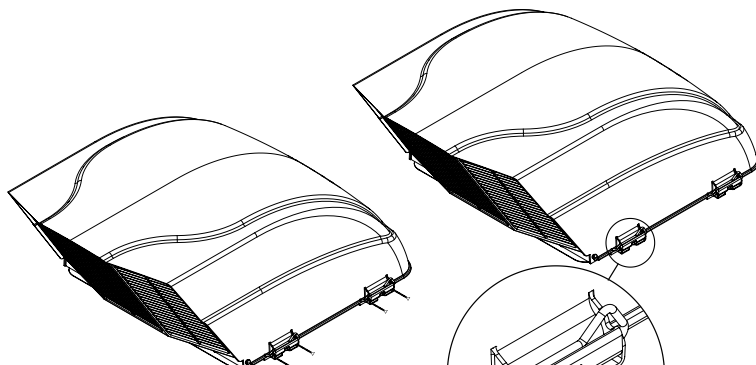


Figure 9

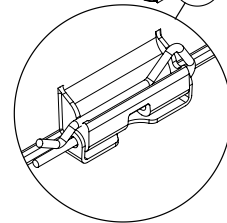


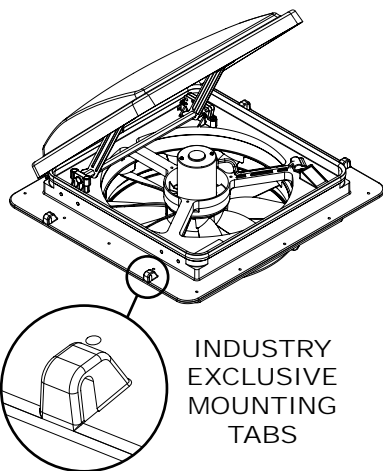
Figure 10

This concludes the INSTALLATION.

ENJOY YOUR NEW FANMATE® Vent Cover.

THE MAXXAIR® SOLUTION FOR RV VENTILATION

MAXXFAN and MAXXFAN Plus with MOUNTING TABS



INDUSTRY
EXCLUSIVE
MOUNTING
TABS

MAXXFAN AND MAXXFAN Plus MODELS

- ▶ BUILT-IN waterproof molded mounting tabs
- ▶ INDUSTRY EXCLUSIVE MOUNTING TABS allow for FAST and TOOL FREE INSTALLATION of optional MAXXAIR FANMATE® MODELS 755, 855, or 955 cover (sold separately).
- ▶ Twin lifting arms help prevent lid flutter in high winds or when driving.

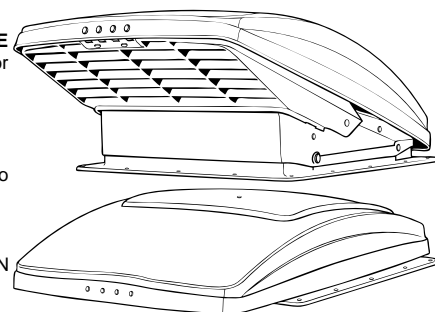
MAXXFAN Deluxe MODELS

- ▶ BUILT-IN RAIN SHIELD eliminates the need for any additional covers to protect your interior from rain!

ALL MODELS

- ▶ Remote control models include backup controls at ceiling - A MAXXFAN EXCLUSIVE!
- ▶ Operates with lid closed to circulate air (Ceiling Fan Mode)
- ▶ Flush Mounted, easy to clean keypad controls the fan speed, thermostat, air intake and exhaust
- ▶ Provides over 900 Cubic Feet of air per minute to keep you cool and comfortable
- ▶ Installs into all standard 14" x 14" RV roof openings

MAXXFAN Deluxe with BUILT-IN RAIN SHIELD



CAUTIONS AND CARE OF YOUR FANMATE®

This product has been manufactured using prime UV stabilized Polymers for maximum toughness and durability. However, the use of caustic or solvent based chemicals can cause cracking and product failure. **PLEASE CLEAN ALL PARTS WITH MILD SOAP AND WATER ONLY.** **NOTE: Inspect the FANMATE® cover and EZClips or mounting brackets twice a year to insure a safe and secure installation is maintained.**

NOTE: Most thermostatically controlled fan powered roof ventilators are designed to stop when contacting an obstruction such as a low tree branch, etc. This auto stopping feature is also used for closing the roof vent and is a normal, designed-in feature. This auto stopping feature allows the installation of our FANMATE® rain cover. When the vent lid automatically opens and contacts the inside of the FANMATE® cover it simply stops opening as it is designed to do. Then the fan, with its own separate motor, will start and run automatically.

Even though our FANMATE® cover prevents the fan lid from fully opening, most RVers agree - the small reduction in air flow is a worthwhile trade off to keep their RV interior safe and dry.

MAXXAIR
VENTILATION SOLUTIONS

... fresh air, rain or shine!

AIRXCEL

MAXxAIR[®]

VENTILATION SOLUTIONS

YOUR #1 CHOICE FOR RV VENTILATION



THE ONLY VENT COVER TUFF ENOUGH

MAXxAIR II

RAIN COVER FOR RV ROOF VENTS
Twice The Vent Area Of Our Original Vent Cover!

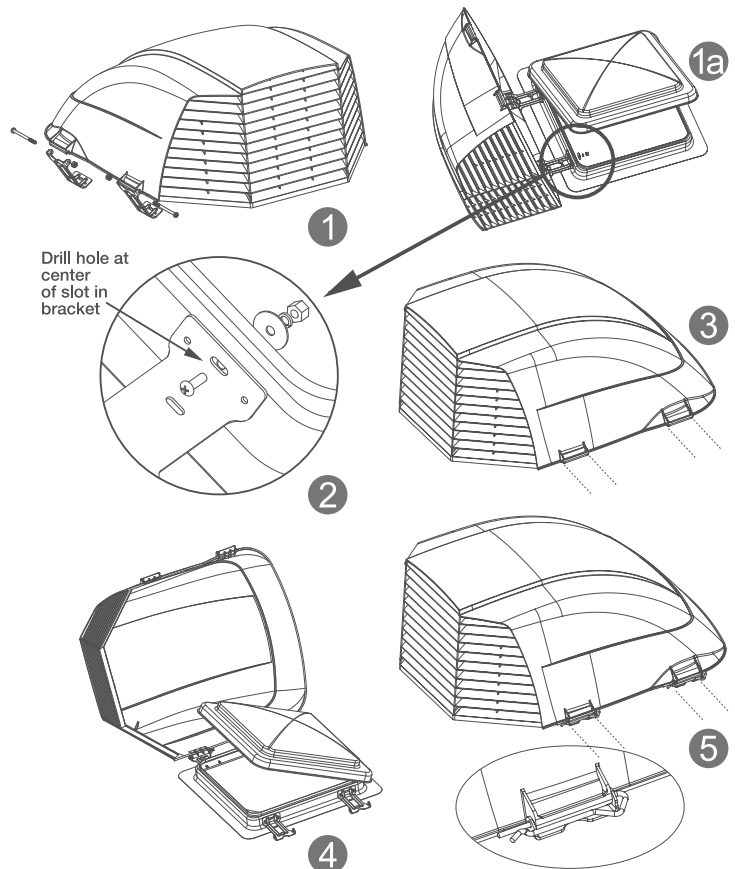
- ▶ Exclusive side louvers provide cross ventilation - MORE FRESH AIR, **RAIN OR SHINE!**
 - ▶ The MAXxAIR II is the ONLY vent cover that includes hinged brackets for easy opening for cleaning and inspection
- FOR INSTALLATION OVER HIGH POWERED RV FAN VENTILATORS SEE DETAILED INSTRUCTIONS ON BACK.

INSTALLATION INSTRUCTIONS

FOR STANDARD ROOF VENTS

READ AND SAVE THESE INSTRUCTIONS

1. Based on your roof vent location, choose which side of the MAXxAIR II to install the hinged brackets. Install as shown in Fig. 1 using the #10-32 screws and locknuts provided.
2. With the louvers facing the rear of the vehicle, slide the MAXxAIR II with the installed hinged brackets up to the side of your roof vent. Center the brackets front to back on the vent side wall. Mark center of slots in brackets onto the roof vent side wall. Move MAXxAIR II out of the way. Drill one 3/16" hole at center of the marked slots. Attach brackets with the #8-32 screw. Place fender washers, lock washers and nuts on the inside of the roof vent side wall.
3. Close MAXxAIR II, mark location of feet onto the roof on the opposite side.
4. Line brackets up with marks on the roof. Drill one 3/16" hole in the side wall of the roof vent at the center of each slot location. Attach brackets to the vent side wall with the #8-32 screws. Place fender washers, lock washers and nuts on the inside of the roof vent side wall.
5. Close MAXxAIR II and slide the two snap lock pins into place as shown. Press the snap lock pins downward to lock into position.



THIS CONCLUDES THE INSTALLATION.
ENJOY YOUR NEW MAXxAIR II.

CONTENTS OF KIT

- | | |
|--|---|
| 1 - MAXxAIR II Vent Cover | 4 - #8-32 SS Nuts |
| 4 - Aluminum Brackets | 4 - #8 SS Lock Washers |
| 2 - Snap Lock Pins | 4 - #8 Fender Washers |
| 2 - #10-32 x 2.75" SS Screws | 8 - #6 x 1/2" SS Self-Tapping Screws (for |
| 2 - #10-32 SS Lock Nuts | installation over High-Powered Fans) |
| 4 - #8 - 32 x 1/2" SS Phil. HD Screws. | |

TOOLS REQUIRED

POWER DRILL WITH 3/16" DRILL BIT, PHILLIPS HEAD
SCREWDRIVER, ADJUSTABLE WRENCH & PENCIL

Mounting the MAXXAIR II Over High Powered Fans Like MAXXFAN, MAXXFAN Plus, Fantastic Fans and ShurFlo Fans

The MAXXAIR II Vent Cover can be safely installed over high-powered RV ventilator fans, however our NEW FANMATE fan cover is specifically designed for this application and allows higher air flow from your existing ventilator fan.

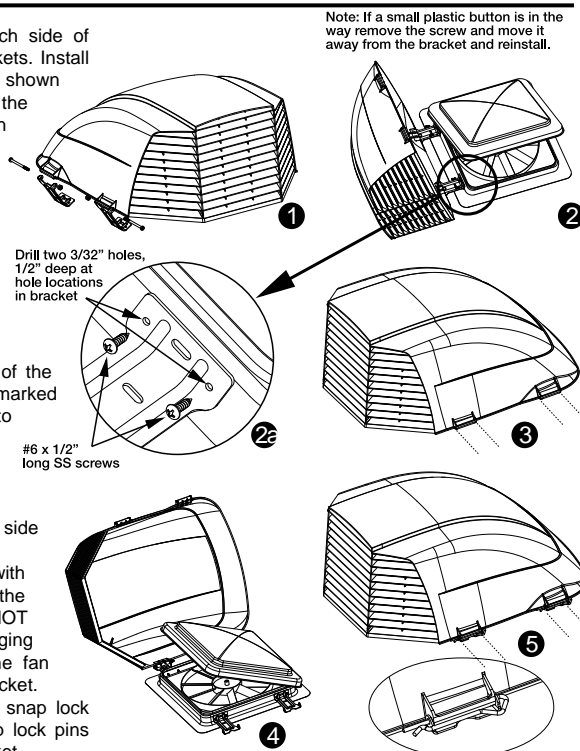
If you have limited space on your RV roof, the MAXXAIR II Vent Cover is a good choice to cover your high powered fan.

Follow the instructions to the right for installation over high powered fans. Use eight (8), #6 x 1/2" long Self-Tapping, Stainless Steel screws included in the hardware kit to complete this installation, you will not need to use the four (4), #8-32 x 1/2" screws, nuts & washers for this installation.

TOOLS REQUIRED

POWER DRILL WITH 3/32" DRILL BIT,
PHILLIPS HEAD SCREW DRIVER AND PENCIL

1. Based on your fan location, choose which side of the MAXXAIR II to install the hinged brackets. Install the hinged brackets to the MAXXAIR II as shown in Fig. 1. NOTE: If you are installing the MAXXAIR II over a MaxxFan Standard Fan simply remove the plastic plugs from the side walls of the MaxxFan and fasten the mounting brackets into the pre-drilled holes using the #6 x 1/2 inch screws provided
2. With the louvers facing the rear of the vehicle, slide the MAXXAIR II with the installed hinged brackets up to the side of your fan. Center the brackets front to back on the fan side wall. Mark both hole locations in the brackets onto the fan side wall. Move the MAXXAIR II out of the way. Drill a 3/32" hole at the center of the marked holes. DO NOT drill more than 1/2" deep to avoid damaging internal wiring. Attach the brackets to the fan using two (2) #6 x 1/2" long screws per bracket.
3. Close the MAXXAIR II and mark the location of the feet onto the roof on the side opposite the hinged brackets.
4. Open the MAXXAIR II. Line brackets up with marks on the roof. Drill a 3/32" hole at the center of both holes in the brackets. DO NOT drill more than 1/2" deep to avoid damaging internal wiring. Attach the brackets to the fan using two (2) #6 x 1/2" long screws per bracket.
5. Close the MAXXAIR II and slide the two snap lock pins into place as shown. Press the snap lock pins downward to lock into position on the bracket.



Note: If a small plastic button is in the way remove the screw and move it away from the bracket and reinstall.

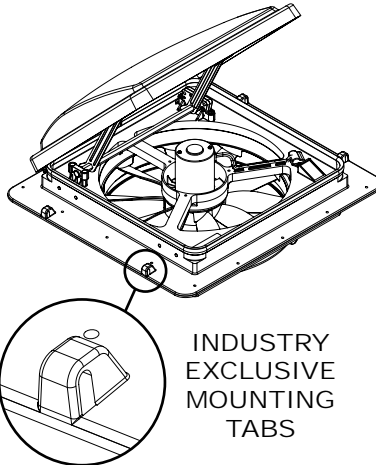
Drill two 3/32" holes, 1/2" deep at hole locations in bracket

#6 x 1/2" long SS screws

THE MAXXAIR[®] SOLUTION FOR RV VENTILATION

MAXXFAN and MAXXFAN Plus

with MOUNTING TABS



INDUSTRY EXCLUSIVE MOUNTING TABS

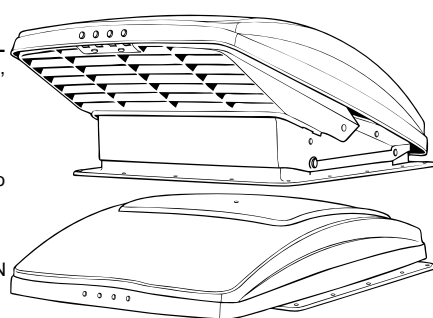
- MAXXFAN AND MAXXFAN Plus MODELS
- ▶ BUILT-IN waterproof molded mounting tabs
 - ▶ INDUSTRY EXCLUSIVE MOUNTING TABS allow for FAST and TOOL FREE INSTALLATION of optional MAXXAIR FANMATE[®] MODELS 755, 855, or 955 cover (sold separately).
 - ▶ Twin lifting arms help prevent lid flutter in high winds or when driving.

- MAXXFAN Deluxe MODELS
- ▶ BUILT-IN RAIN SHIELD eliminates the need for any additional covers to protect your interior from rain!

- ALL MODELS
- ▶ Remote control models include backup controls at ceiling - A MAXXFAN EXCLUSIVE!
 - ▶ Operates with lid closed to circulate air (Ceiling Fan Mode)
 - ▶ Flush Mounted, easy to clean keypad controls the fan speed, thermostat, air intake and exhaust
 - ▶ Provides over 900 Cubic Feet of air per minute to keep you cool and comfortable
 - ▶ Installs into all standard 14" x 14" RV roof openings

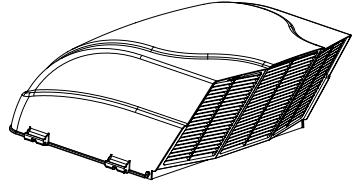
MAXXFAN Deluxe

with BUILT-IN RAIN SHIELD



FANMATE[®] CEILING FAN VENT COVER

FEATURING EZClip[™] HARDWARE for QUICK, EASY and TOOL-FREE INSTALLATION



The FANMATE[®] simply fits over the built-in, waterproof mounting tabs on the MAXXFAN[®] and MAXXFAN[®] Plus. Simply slide the included clip through the tab to secure the FANMATE[®] cover. (Hardware with clips included for mounting on other fan models.)

- ▶ SUPERIOR rain protection
- ▶ LESS than 5% airflow restriction
- ▶ UNIQUE design allows for use on ANY high powered or non-powered vent
- ▶ OPTIONAL bug screen
- ▶ FULL ACCESS to the fan and optional bug screen courtesy of the EZClip[™]



MAXXAIR[®]

VENTILATION SOLUTIONS

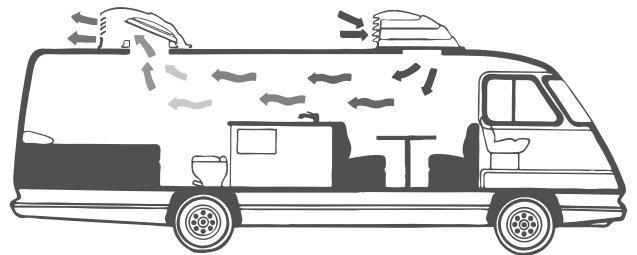
YOUR #1 CHOICE FOR RV VENTILATION



THE ONLY VENT COVER TUFF ENOUGH

THE MAXXAIR ORIGINAL VENT COVER

- ▶ Lets in **FRESH AIR ANY TIME**. . . Rain or Shine!
- ▶ Prevents Heat Buildup in your RV
- ▶ Proven **SUPER-TOUGH** one piece design
- ▶ Mounts to all existing 14" x 14" roof vents **INCLUDING** the new Ventline E-Z Lift Ventadome
- ▶ **Not recommended for High-Powered Fans like MAXXFAN, MAXXFAN Plus Fans, ShurFlo Fan or Fantastic Fan.** Use instead the **NEW FANMATE[®]** cover shown on the back of this sheet.



INSTALLATION INSTRUCTIONS

READ AND SAVE THESE INSTRUCTIONS

1. Place the MAXXAIR over the roof vent with the louver area facing the rear of the vehicle. After verifying that the MAXXAIR is centered over the roof vent, use a pencil to trace the location of the slots in the MAXXAIR mounting flange.
2. Position a mounting bracket on your roof so that the slot in the bracket intersects one of the locations traced on the roof. For maximum strength, place the mounting brackets as close as possible to the outside corner of your existing roof vent frame.
3. Mark the location of the screw hole in the bracket onto your roof vertical vent frame wall. Drill through the roof vent frame using a 3/16" dia. drill bit. Place one of the carriage bolts upward through the slot in the bracket and fasten the bracket to the roof vent wall using the small screw provided. The small washer, lock washer and hex nut should be placed on the inside of the roof vent frame wall. Install two brackets on each side of your roof vent as shown in the drawing.
4. Place the MAXXAIR on the four upward pointing carriage bolts and fasten using the star washers and hex nuts provided. You may have to push the head of the carriage bolt up into the bracket slot to prevent the carriage bolt from turning during tightening of the nuts.
5. A slight air gap between the MAXXAIR base and the roof after installation is normal and permits condensation to escape. Do not apply caulking to this area.

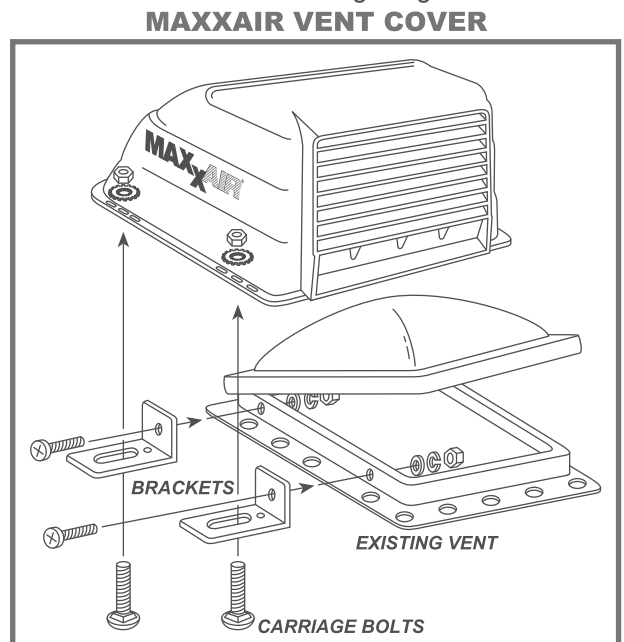
NOTE: To install over a Ventline EZ-Lift roof vent, simply install a carriage bolt into the square hole in each mounting bracket and fasten the mounting brackets to the special tabs provided on the Ventline. Use the small screw, washer, lock washer and nuts to secure the brackets to the special tabs. Proceed with step 4 above.

THIS CONCLUDES THE INSTALLATION. ENJOY YOUR NEW MAXXAIR ORIGINAL VENT COVER

CONTENTS OF KIT

TOOLS REQUIRED
POWER DRILL WITH 3/16" DRILL BIT, PHILLIPS HEAD
SCREWDRIVER, ADJUSTABLE WRENCH & PENCIL

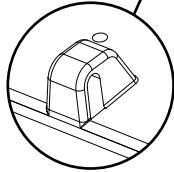
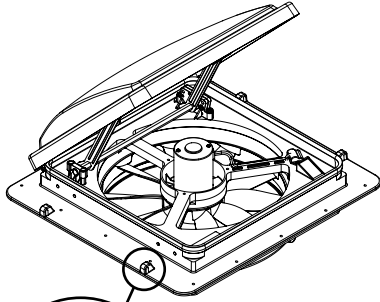
(4) 1/4" - 20 SS Carriage Bolts (3/4" long) (4) #8 - 32 SS Nuts
(4) 1/4" SS Star Washers (4) #8 - 32 SS Screws (1/2" long)
(4) 1/4" - 20 SS Hex Nuts (4) #8 SS Flat Washers (Fender Washer)
(4) Aluminum Brackets (4) #8 SS Lock Washers



THE MAXXAIR® SOLUTION FOR RV VENTILATION

MAXXFAN *and* MAXXFAN Plus

with MOUNTING TABS



INDUSTRY EXCLUSIVE MOUNTING TABS

MAXXFAN AND MAXXFAN Plus MODELS

- ▶ BUILT-IN waterproof molded mounting tabs
- ▶ INDUSTRY EXCLUSIVE MOUNTING TABS allow for FAST and **TOOL FREE** INSTALLATION of optional MAXXAIR FANMATE® MODELS 755, 855, or 955 cover (sold separately).
- ▶ Twin lifting arms help prevent lid flutter in high winds or when driving.

MAXXFAN Deluxe MODELS

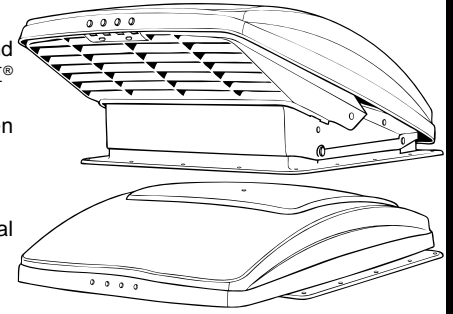
- ▶ BUILT-IN RAIN SHIELD eliminates the need for any additional covers to protect your interior from rain!

ALL MODELS

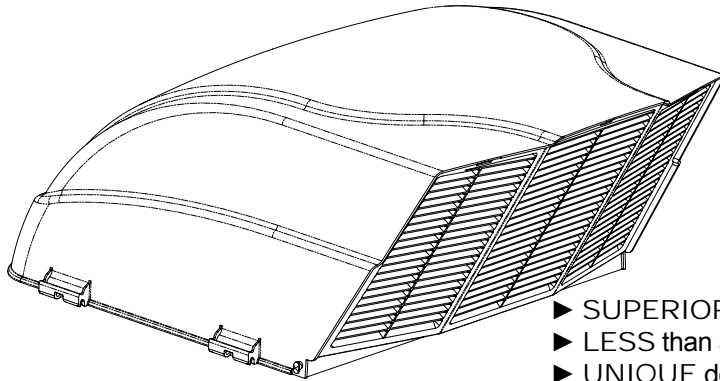
- ▶ Remote control models include backup controls at ceiling - A MAXXFAN EXCLUSIVE!
- ▶ Operates with lid closed to circulate air (Ceiling Fan Mode)
- ▶ Flush Mounted, easy to clean keypad controls the fan speed, thermostat, air intake and exhaust
- ▶ Provides over 900 Cubic Feet of air per minute to keep you cool and comfortable
- ▶ Installs into all standard 14" x 14" RV roof openings

MAXXFAN Deluxe

with BUILT-IN RAIN SHIELD



FANMATE® CEILING FAN VENT COVER



FEATURING EZClip™ HARDWARE

for **QUICK, EASY and**

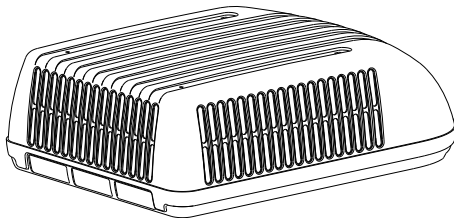
TOOL-FREE INSTALLATION

The FANMATE® simply fits over the built-in, waterproof mounting tabs on the MAXXFAN® *and* MAXXFAN® Plus. Simply slide the included clip through the tab to secure the FANMATE® cover. (Hardware with clips included for mounting on other fan models.)

- ▶ SUPERIOR rain protection
- ▶ LESS than 5% airflow restriction
- ▶ UNIQUE design allows for use on ANY high powered or non-powered vent
- ▶ OPTIONAL bug screen
- ▶ FULL ACCESS to the fan and optional bug screen courtesy of the EZClip™

TUFFMAXX A/C REPLACEMENT SHROUD

The LAST A/C SHROUD you will EVER have to BUY!

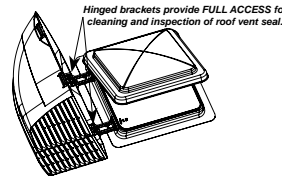


- Replaces Coleman®-Mach® 11,000, 13,500 and 15,000 BTU covers (Mach 1, Mach 3 and Mach 15 models)
- Features built-in rear fin guard and extra tough, UV protected plastic

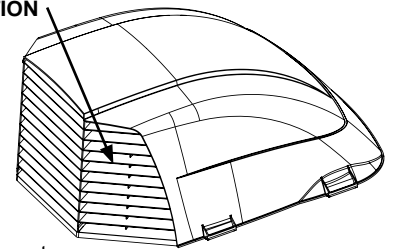
MAXXAIR II

MORE *fresh air, rain or shine*

EXCLUSIVE Side Louvers Provide UNSURPASSED CROSS VENTILATION



Hinged brackets provide FULL ACCESS for cleaning and inspection of roof vent seal.



- ▶ More vent area than any other vent cover
- ▶ Hinged hardware included for easy opening - **NO TOOLS REQUIRED**
- ▶ Solid one-piece, sleek, aerodynamic design

