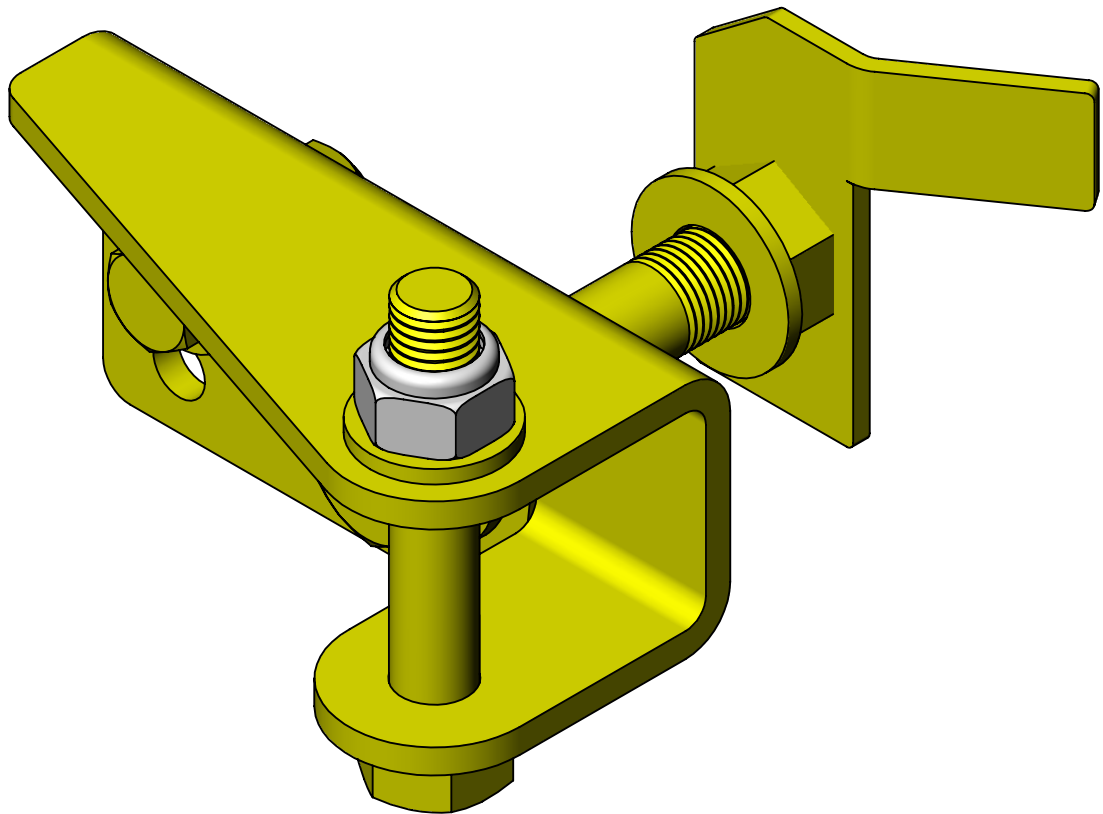


Clayton Off Road  
COR-5209010  
Jeep Wrangler Steering Stabilizer Relocation Bracket (2007-2018+, JK/JL)



NOTES: This product may require general welding, fabrication and automotive mechanic skills. Welding should only be done by a competent welder. Clayton Off Road implies no guarantees or warranties and is not liable for improper installation. Some grinding and fitment may be required when installing this product. Every vehicle varies slightly and some fabrication may be required.

For more information please visit our website.

Refer to pictures below.

Step 1: Put front axle on jack stands.

Step 2: Remove drag link at passenger knuckle.

Step 3: Remove factory steering stabilizer.

Step 4: Remove factory steering stabilizer mounts if not being reused.

Step 5: Install new steering stabilizer mount on axle with 9/16" hardware.

Step 6: Make sure mount is aligned with track bar mount.

Step 7: Drill out upper hole on JL model with 3/8" drill bit, use bottom hole on JK model.

Step 8: Install 3/8" hardware.

Step 9: Torques 9/16" bolt to 146-171 ft/lbs and 3/8" bolt to 37 to 44 ft-lbs.

Step 10: Install steering stabilizer.

Step 11: Make sure tires are straight.

Step 12: Slide tie rod link mount to center stabilizer stroke.

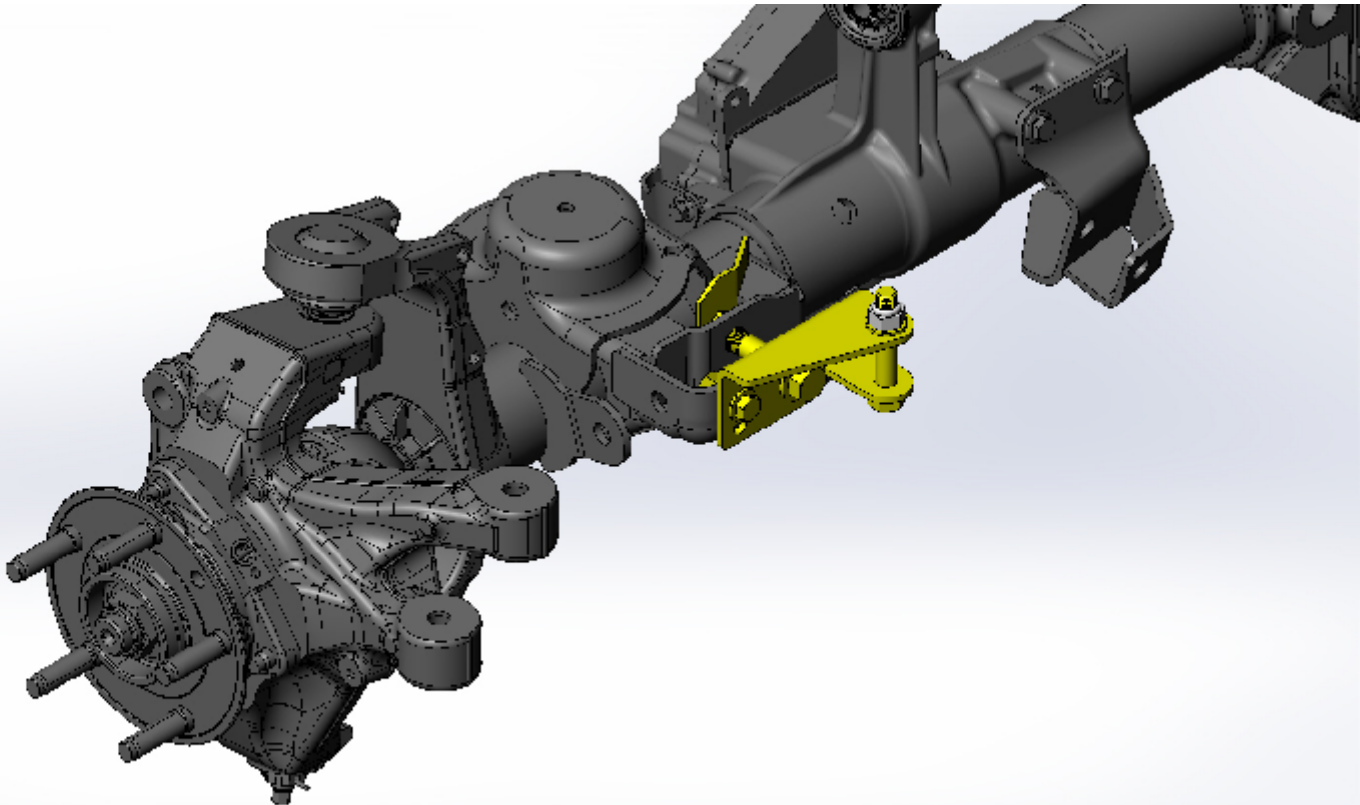
Step 13: Rotate tie rod link mount so that it does not interfere when turning.

Step 14: Tighten bolts on steering stabilizer and tie rod link mount.

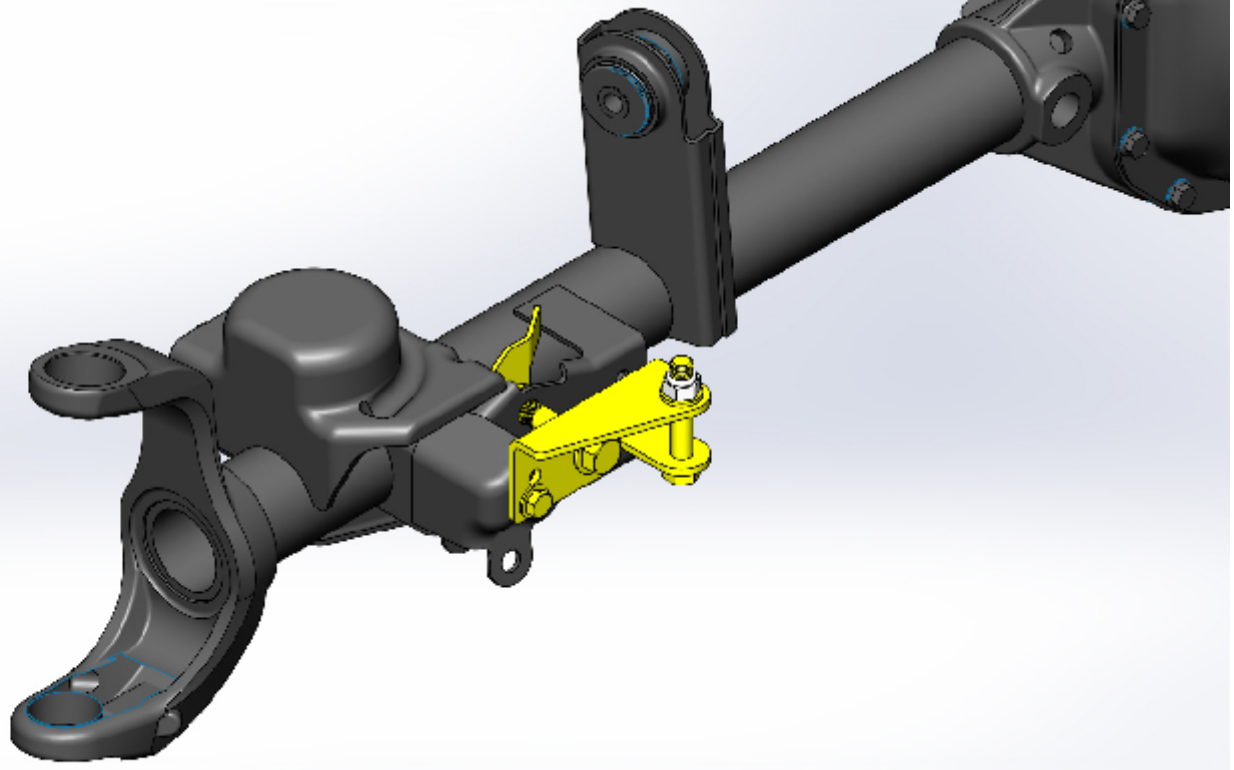
Step 15: Turn wheels lock to lock checking clearances.

Step 16: Remove jack stands.

JL Model



JK Model



When it comes to quality performance suspension parts, Clayton Off Road is the brand you can depend on.