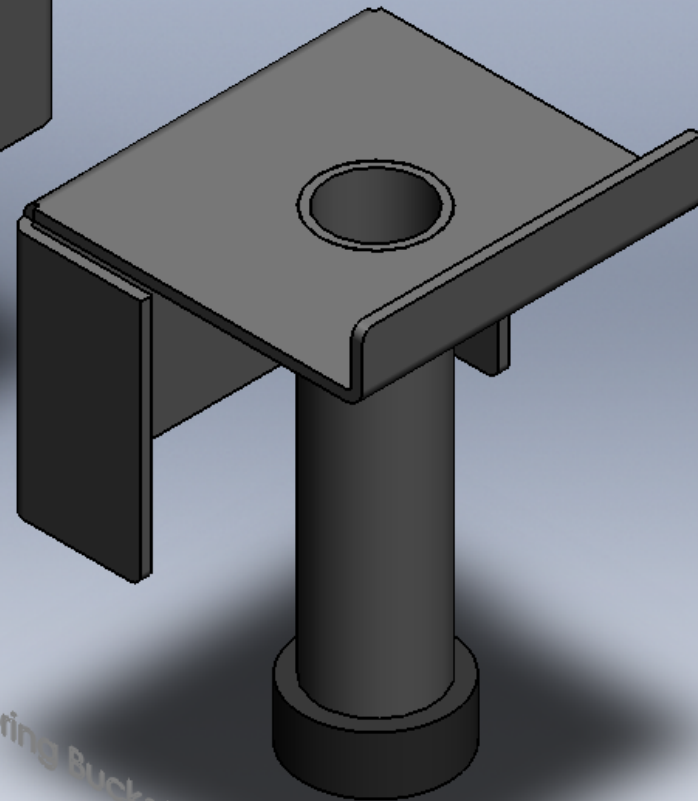
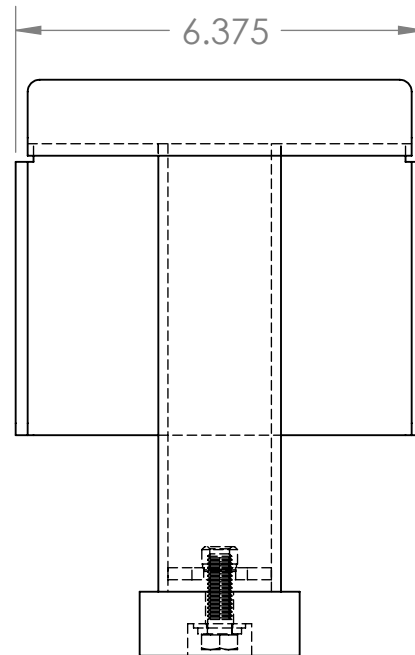
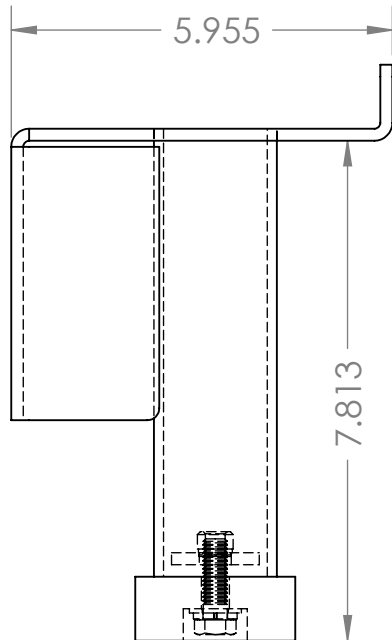
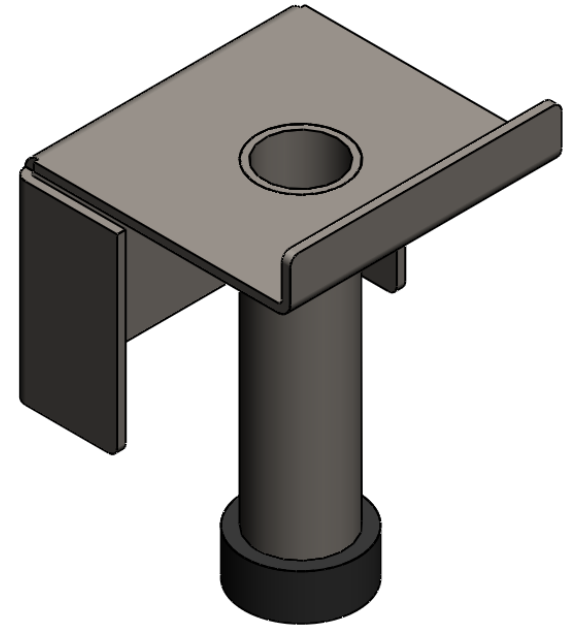
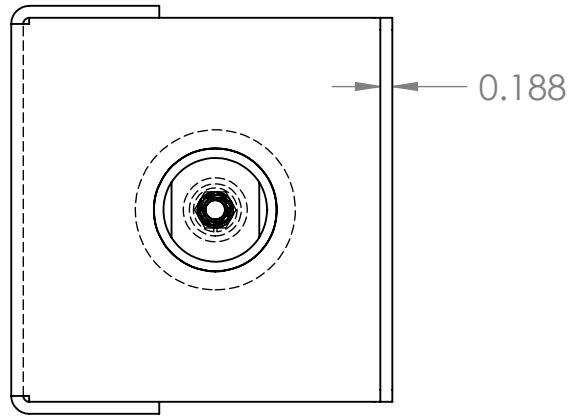


ITEM NO.	PART NUMBER	DESCRIPTION	Default/ QTY.
1	15107	3/8"-16 x 1-1/4" Yellow Zinc Finish SAE J429 Grade 8 Hex Cap Screw	2
2	33815	3/8" Yellow Zinc Finish SAE Thru-Hardened Flat Washer	2
3	33893	3/8" Yellow Zinc Finish High Alloy Medium Split Lock Washer	2
4	RAB06	Poly Spring Retainer Spacer	2
5	XJRCC01	XJ Rear Upper Coil Bucket	2
6	XJRCC06	XJ Rear Spring Post	2
7	XJRCC11	XJ Rear Upper Spring Post Cap	2



2201030 XJ Rear Coil Conversion Upper Spring Buckets
12.80 lbs



TITLE:		
XJ Rear Coil Conversion Upper Spring Buckets		
SIZE	DWG. NO.	REV
A	2201030	A
SCALE: 1:3	WEIGHT:	