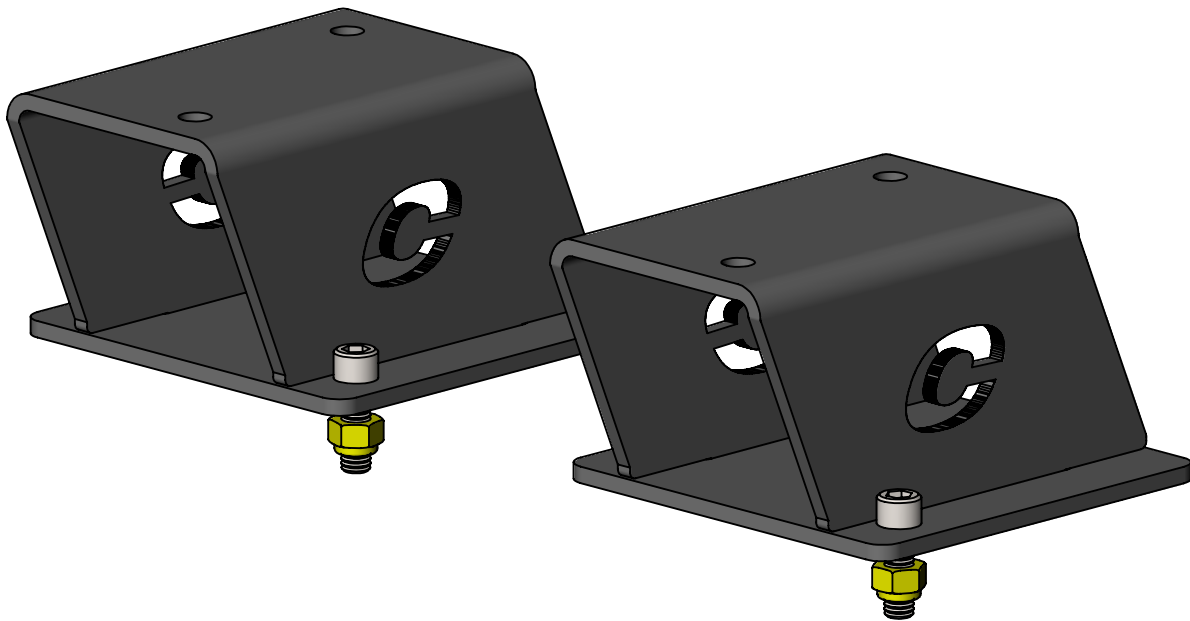


Clayton Off Road
COR-1410200
Jeep Gladiator Rear Bump Stops (2020 & Up, JT)



NOTES: This product may require general welding, fabrication and automotive mechanic skills. Welding should only be done by a competent welder. Clayton Off Road implies no guarantees or warranties and is not liable for improper installation. Some grinding and fitment may be required when installing this product. Every vehicle varies slightly and some fabrication may be required.

Refer to picture below.

Step 1: Locate bump stop on axle mount with holes lined up.

Step 2: Insert bolts from the top, thread nuts on.

Step 3: Torque bolts to 30 ft-lb.

Step 4: Repeat steps 1 to 3 on other side.

Optional bump stop extensions are available.

Part number COR-1410201

