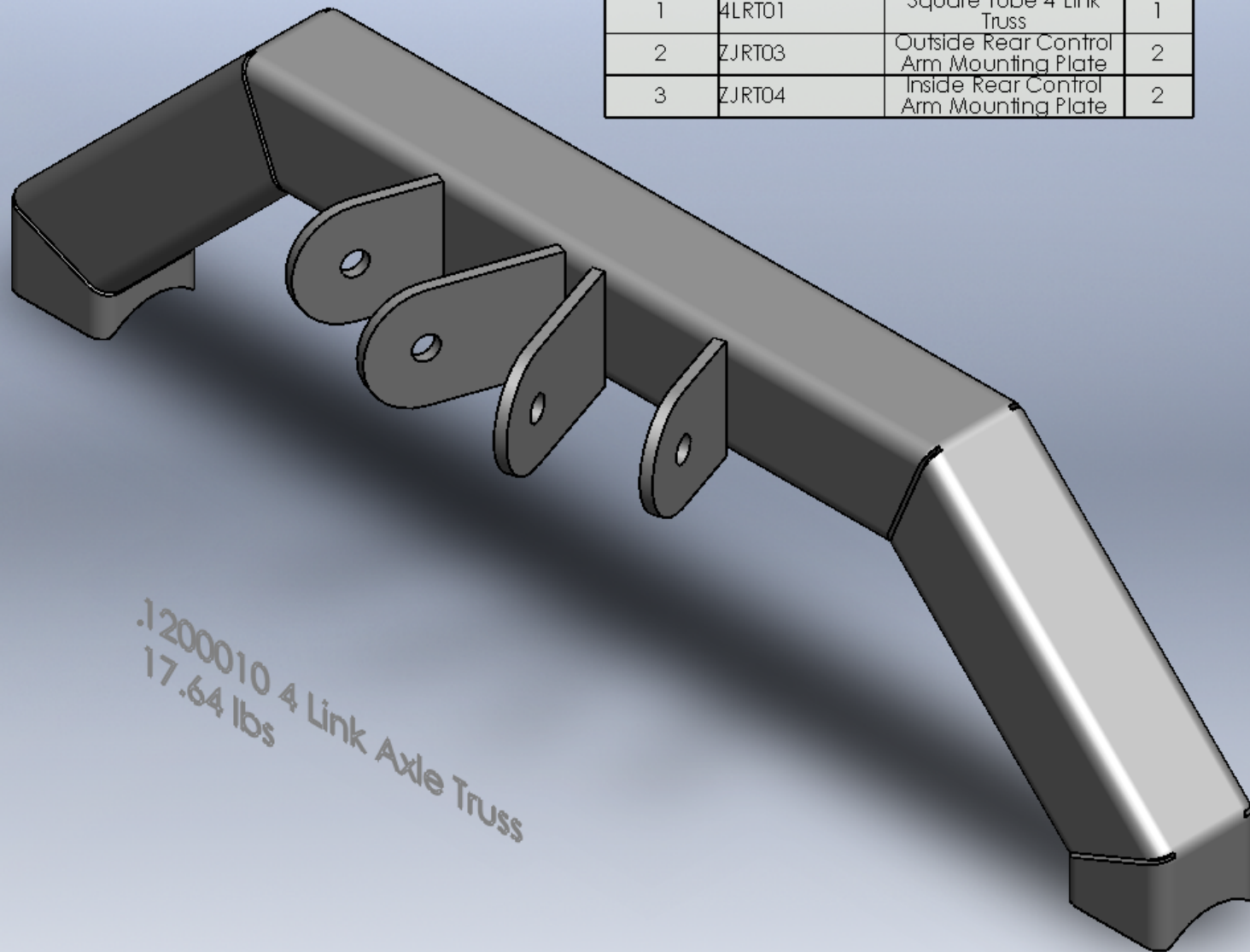


| ITEM NO. | PART NUMBER | DESCRIPTION                             | QTY. |
|----------|-------------|---|------|
| 1        | 4LRT01      | Square Tube 4 Link Truss                | 1    |
| 2        | ZJRT03      | Outside Rear Control Arm Mounting Plate | 2    |
| 3        | ZJRT04      | Inside Rear Control Arm Mounting Plate  | 2    |



.1200010 4 Link Axle Truss  
17.64 lbs

Looking for dependable performance driveline and axles? Rely on Clayton Off Road for quality and long-lasting products.