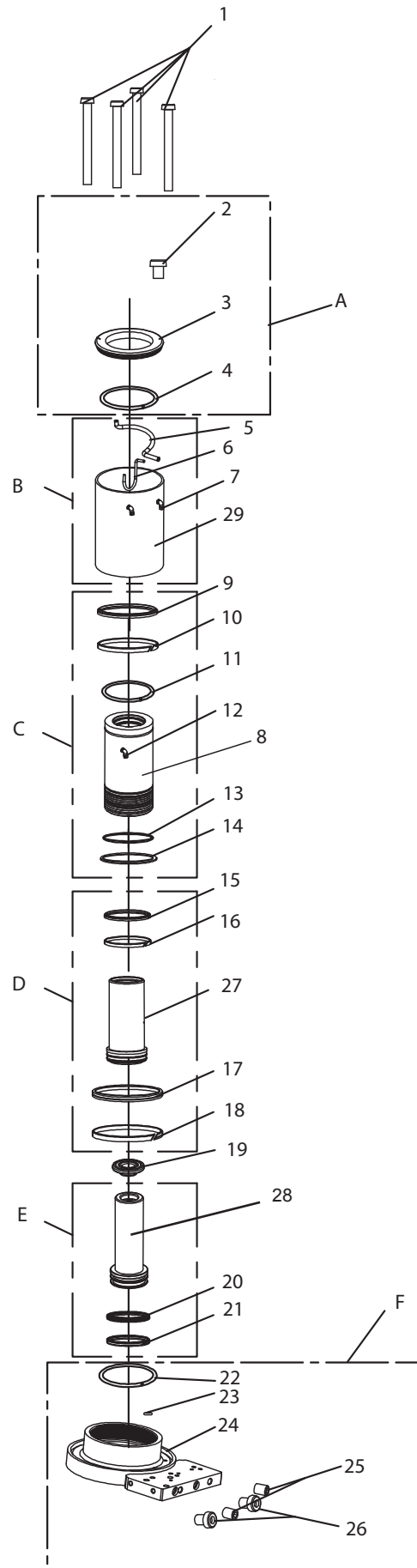


Item No.	Part No.	Description	Q'ty
1	8940174083	Cylinder	1
2	8940174084	Oil Drain Valve	1
4	8940174086	Pump	1
5	8940174087	Air Hose	0.67m
7	8940174088	Housing	1
10	8940176124	Switch	1
13	8940174093	Adaptor 45mm	1
25	8940174105	Adaptor 75mm	1
14	8940174094	Tie-In Kit	2
A	8940174329	Handle Kit	1
19		Screw	2
20		Bush	2
21		Handle	1
B	8940174330	Wheel Kit	2
22		Washer	2
23		Ring	1
24		Wheel	1
C	8940174331	Cover Kit	1
15		Cover	1
26		Screw	4


Item No.	Part No.	Description	Q'ty
M	8940174332	Handle Kit	1
9		Screw	4
10		Switch	1
11		Handle grip	2
12		Air Connector	1
27		Screw	2
28		Bushing	2
29		Nut	2
30		Handle	1
SP	8940174333	Small Parts Kit (including : 9, 16, 17, 18, 26, 27, 28, 29)	1

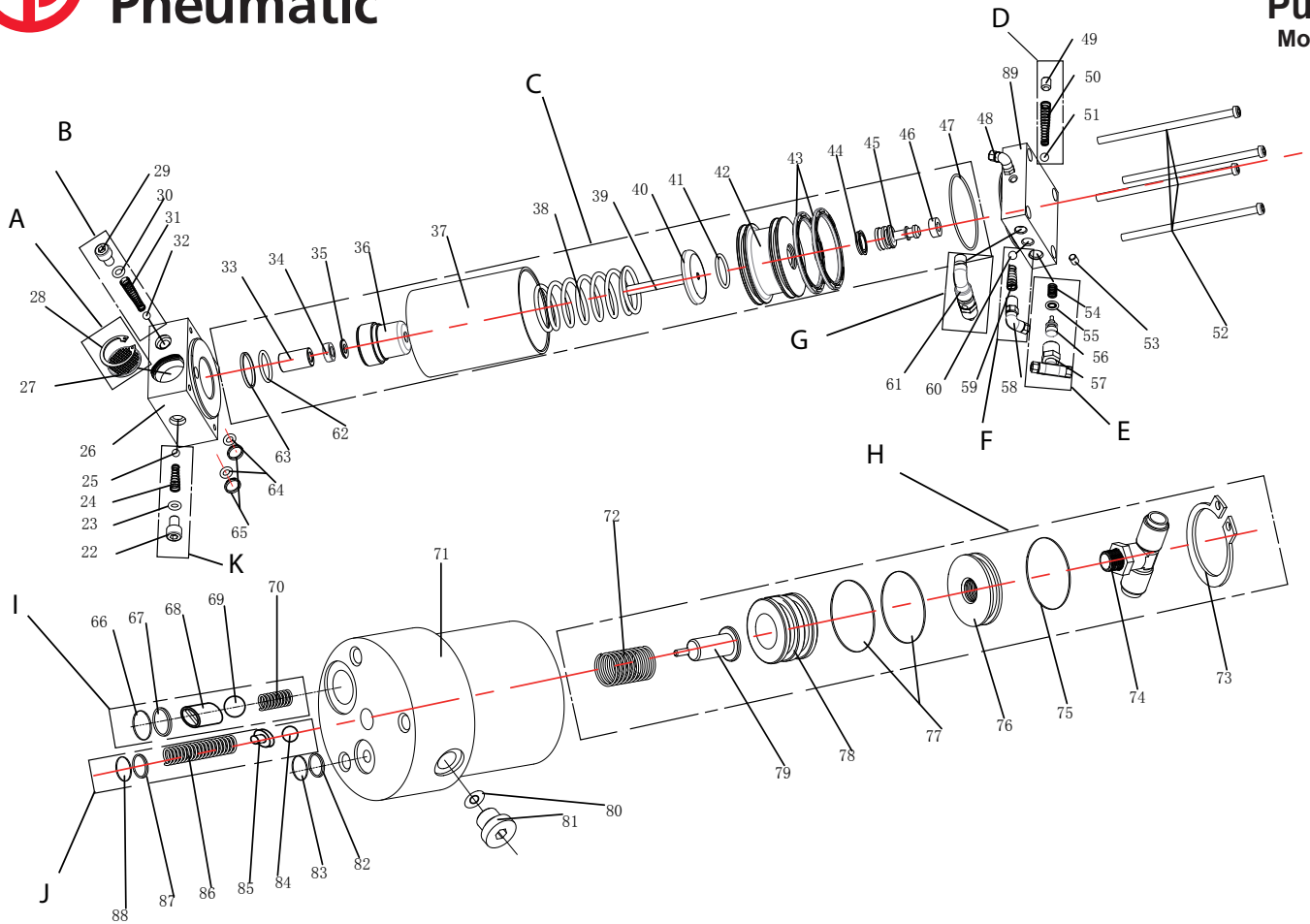
	8940174079	Operator's Manual
	8940174302	Warning label
	8940170883	Safety Instructions

Recommended Accessories	
	SA001 Adaptor Type A 8940176085



Item No.	Part No.	Description	Q'ty
19	8940174128	Saddle	1
A	8940174334	Cover Kit	1
2		Screw nut	1
3		oil tank cover	1
4		O-Ring	1
B	8940174335	Cylinder Housing Kit	1
5		Air Hose	1
6		Air Hose	1
7		Tie-In	2
29		Cylinder Housing	1
C	8940174336	Ram Kit	1
8		Outer Sleeve	1
9		Anit-dust Ring	1
10		Guide Ring	1
11		O-Ring	1
12		Tie-In	1
13		O-Ring	1
14		O-Ring	1
D	8940174337	Ram Kit	1
15		Anit-dust Ring	1
16		Guide Ring	1
17		Seal	1
18		Guide Ring	1
27		Ram	1
E	8940174338	Ram Kit	1
20		Seal	1
21		Guide Ring	1
28		Ram	1
F	8940174339	Ram Kit	1
22		O-Ring	1
23		Fitter	1
24		Base	1
25		Screw (No head)	2
26		Screw	2
GK	8940174340	Gasket Kit (including : 4, 9, 10, 11, 13, 14, 15, 16, 17, 18, 20, 21, 22)	1
SP	8940174341	Small Parts Kit (including : 1, 2, 25, 26)	1

	8940174079	Operator's Manual
	8940174302	Warning label
	8940170883	Safety Instructions



Item No.	Part No.	Description	Q'ty
26	8940174141	Check Valve	1
48	8940174159	Tie-In	1
71	8940174180	Oil Drain Valve	1
89	8940174196	Air Inlet Base	1
A	8940174342	Silencer	1
27		Silencer Piece	1
28		Clamp	1
B	8940174343	Valve Kit	1
29		Screw	1
30		O-Ring	1
31		Spring	1
32		Steel Ball	1
C	8940174344	Pump Kit (including : 33, 34, 35, 36, 37, 38, 39 , 40, 41, 42, 43, 44, 45, 46, 47, 62, 63)	1
D	8940174345	Valve Kit	1
49		Screw Nut	1
50		Spring	1
51		Rubber Ball	1
E	8940174346	Valve Kit	1
54		Spring	1
55		O-Ring	1
56		Piston	1
57		Tie-In	1
F	8940174347	Valve Kit	1
58		Tie-In	1
59		Spring	1
60		Rubber Ball	1
G	8940174348	Safety valve Kit	1
61		Safety valve	1
90		Tie-In	1
H	8940174349	Valve Kit	1
72		Spring	1
73		Clamp	1
74		Tie-In	1
75		O-Ring	1
76		End Cover	1
77		O-Ring	2
78		Oil Drain Piston	1
79		Oil Drain Bolt	1

Item No.	Part No.	Description	Q'ty
I	8940174350	Valve Kit	1
66		O-Ring	1
67		Locking Ring	1
68		Steel Ball Bulkhead	1
69		Steel Ball	1
70		Spring	1
J	8940174351	Valve Kit	1
82		Locking Ring	1
83		O-Ring	1
84		Steel Ball	1
85		Screw Nut	1
86		Spring	1
87		Locking Ring	1
88		O-Ring	1
K	8940174352	Valve Kit	1
22		Screw	1
23		O-Ring	1
24		Spring	1
25		Steel Ball	1
SP	8940174353	Small parts Kit (including : 22, 23, 30, 49, 52, 53, 81, 85)	1
GK	8940174354	Gasket Kit (including : 34, 35, 41, 43, 44, 46, 47, 55, 62, 63, 64, 65, 66, 67, 75, 77, 82, 83, 87, 88)	1

	8940174079	Operator's Manual
	8940174302	Warning label
	8940170883	Safety Instructions