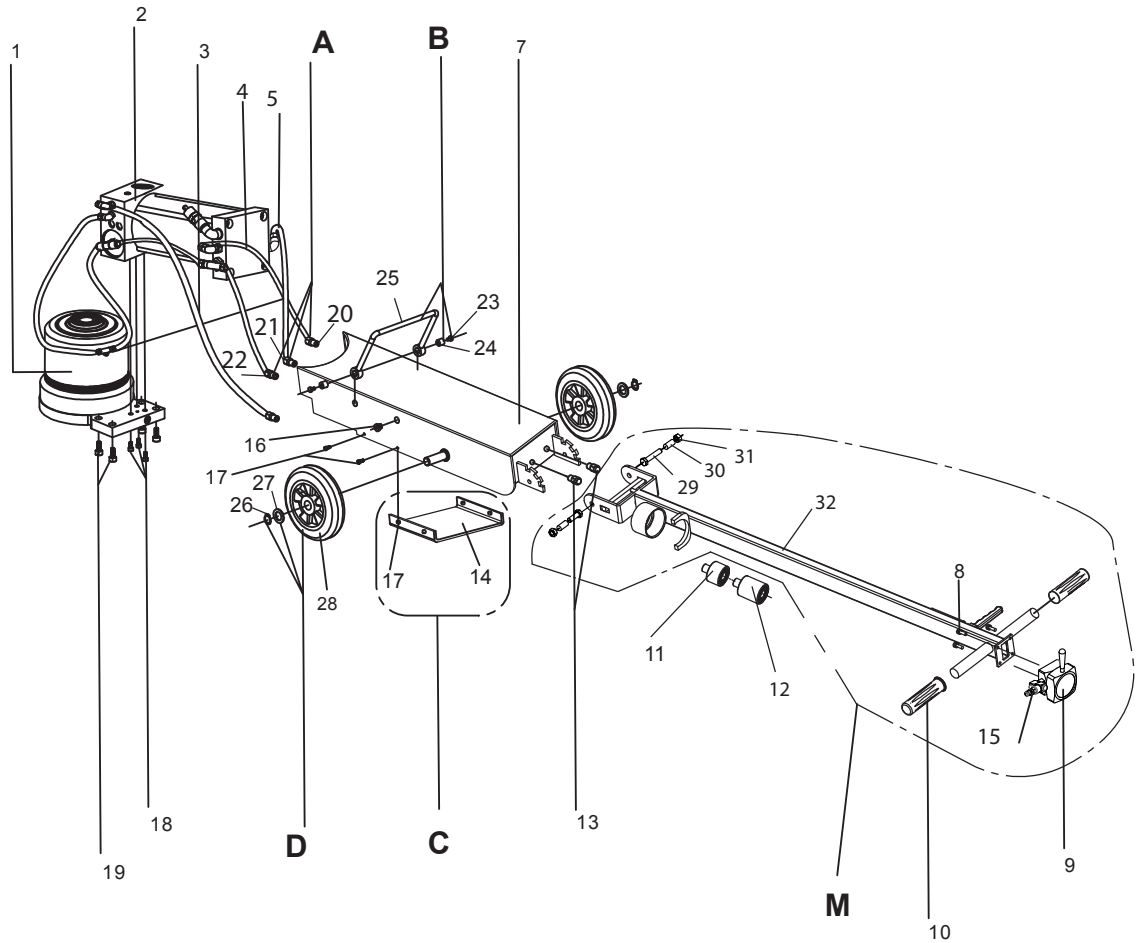


Item No.	Part No.	Description	Q'ty
44	8940174253	Air inlet base	1
57	8940174261	Check valve	1
A	8940174373	Silencer	1
10		Silencer	1
11		Circlip	1
B	8940174374	Valve Kit	1
12		Steel ball	1
13		Spring	1
14		Screw	1
32		Steel Ball	1
C	8940174375	Valve Kit	1
15		Steel ball	1
16		Spring	1
17		Screw	1
D	8940174376	Valve Kit	1
18		Steel ball	1
19		Screw nut	1
20		Spring	1
21		Screw	1
E	8940174377	Pump Kit	1
22		Sealing	1
23		Locking Ring	1
24		Air cylinder	1
25		Spring	1
26		Plunger Rod	1
27		Plunger Cover	1
28		O-Ring	1
29		Piston	1
30		OA Sealing	2
31		Sealing	1
32		Piston	1
33		Rubber Cap	1
34		O-Ring	1
52		Guide busher	1
53		O-Ring	1
54		Locking Ring	1
F	8940174378	Valve Kit	1
36		Rubber Ball	1
37		Spring	1
38		Tie-In	1
G	8940174379	Valve Kit	1
40		Tie-In	1
41		Piston	1
42		O-Ring	1
43		Spring	1
44		Air inlet base	1

Item No.	Part No.	Description	Q'ty
H	8940174380	Valve Kit	1
46		Tie-In	1
47		Spring	1
48		Rubber Ball	1
I	8940174381	Safety Valve Kit	1
49		Safe valve	1
50		Tie-In	1
J	8940174382	Valve Kit	1
61		Screw nut	1
62		Spring	1
63		Oil drain bolt	1
64		O-Ring	2
65		End cover	1
66		O-Ring	1
67		Tie-In	1
68		Circlip	1
K	8940174383	Valve Kit	1
1		Screw	1
58		Steel ball	1
59		Spring	1
L	8940174384	Valve Kit	1
2		Tie-In	1
3		Oil drain piston	1
4		O-Ring	2
5		Spring	1
M	8940174385	Valve Kit	1
6		Tie-In	1
7		Fitter	1
SP	8940174386	Small parts Kit (including : 1, 8, 9, 14, 17, 19, 21, 35, 39, 45, 61)	1
GK	8940174387	Gasket Kit (including : 4, 22, 23, 28, 30, 31, 33, 34, 42, 53, 54, 55, 56, 64, 66)	1

	8940174079	Operator's Manual
	8940174302	Warning label
	8940170883	Safety Instructions

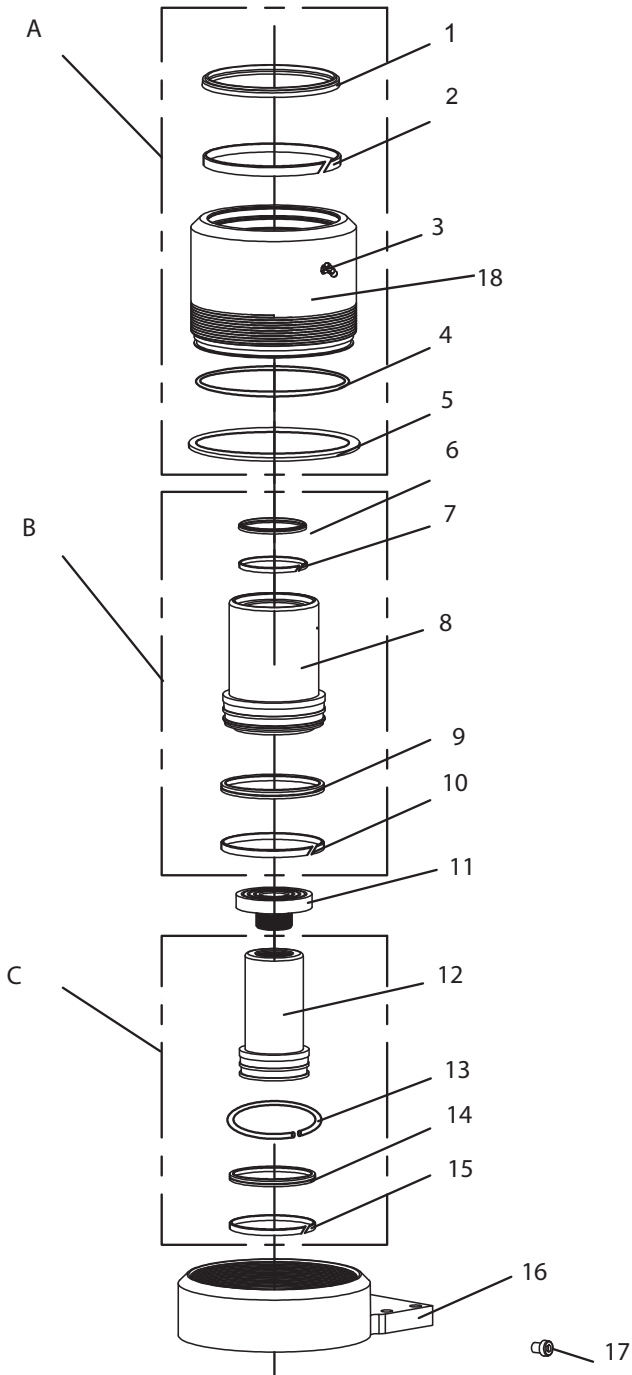


Item No.	Part No.	Description	Q'ty
1	8940174269	Cylinder	1
2	8940174198	Pump	1
3	8940174199	Oil Hose sets	1
4	8940174087	Air hose	0.76m
5	8940174200	Air hose	0.56m
7	8940176129	Housing	1
9	8940176124	Switch	1
11	8940174271	45mm adaptor	1
12	8940174272	75mm adaptor	1
13	8940174094	Tie-In	2
A	8940174363	Tie-In Kit	1
20		Tie-In	1
21		Tie-In	1
22		Tie-In	2
B	8940174329	Handle Kit	1
23		Screw	2
24		Bush	2
25		Handle	1
C	8940174388	Protecting Cover	1
14		Protecting cover	1
17		Screw	4


Item No.	Part No.	Description	Q'ty
D	8940176127	Wheel Kit	2
26		Ring	2
27		Washer	2
28		Wheel	1
M	8940174390	Handle Kit	1
8		Screw	4
9		Switch	1
10		Handle Grip	2
15		Air connector	1
29		Screw	2
30		Bushing	2
31		Nut	2
32		Handle	1
SP	8940174366	Small Parts Kit (including : 8, 16, 17, 18, 19)	1

	8940174079	Operator's Manual
	8940174302	Warning label
	8940170883	Safety Instructions

Recommended Accessories	
	SA001 Adaptor Type B 8940176086



Item No.	Part No.	Description	Q'ty
11	8940174282	Saddle	1
16	8940174287	Base	1
A	8940174391	Cylinder Housing Kit	1
1		Anit-dust Ring	1
2		Guide Ring	1
3		Tie-In	1
4		O-Ring	1
5		O Checking Ring	1
18		Cylinder Housing	1
B	8940174392	Ram Kit	1
6		Anit-dust Ring	1
7		Guide Ring	1
8		Ram	1
9		XTP Seal	1
10		Guide Ring	1
C	8940174393	Ram Kit	1
12		Ram	1
13		Spring Ring	1
14		XTP Seal	1
15		Guide Ring	1
SP	8940174371	Small Parts Kit	1
3		Tie-In	1
17		Screw	1
GK	8940174394	Gasket Kit (including : 1, 2, 4, 5, 6, 7, 9, 10, 13, 14, 15)	1

	8940174079	Operator's Manual
	8940174302	Warning label
	8940170883	Safety Instructions